

# OPAQUE FIBERGLASS SINGLE DOOR w/ SIDELITE(S)

## OUTSWING "IMPACT"

EVALUATED FOR USE IN THE STATE OF TEXAS

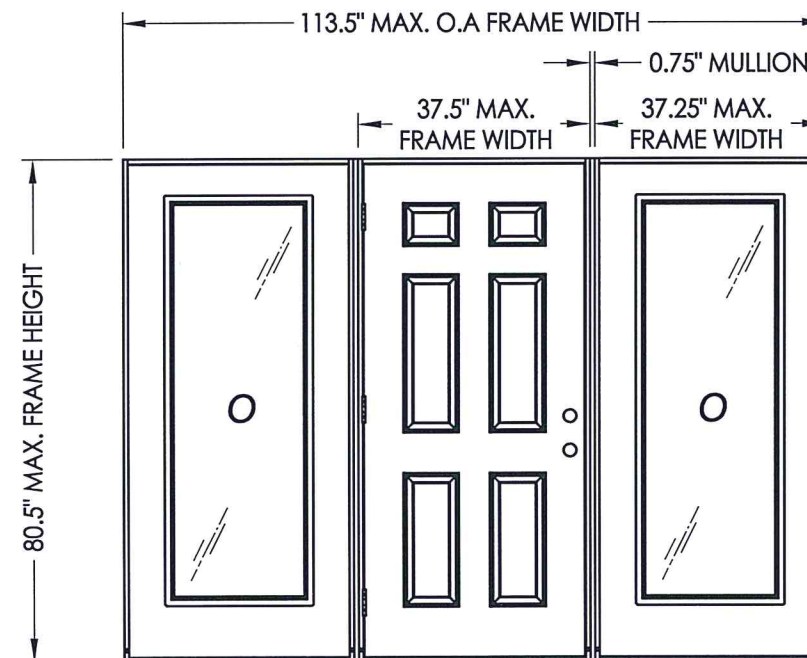
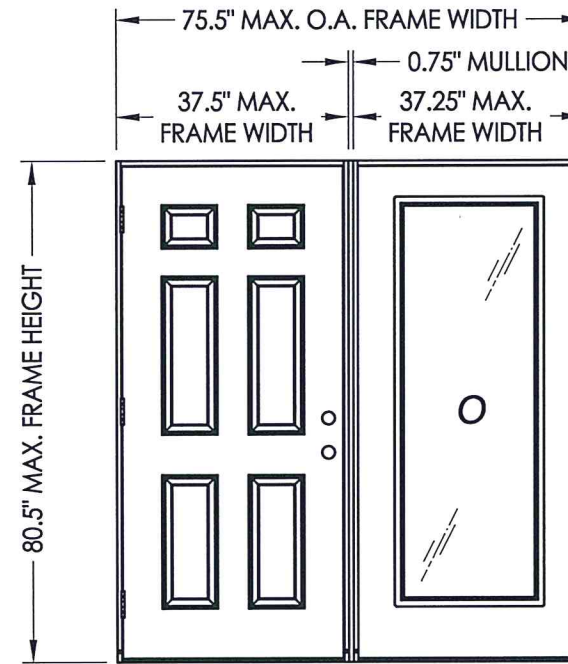
**DR-272**

The Fiberglass Door system described herein complies with the 2018 International Residential Code (IRC), Sections R301 & R609 and the 2018 International Building Code (IBC), Sections 1404.13, 1609, 1709.5, 2403 and 2404 subject to the following conditions:

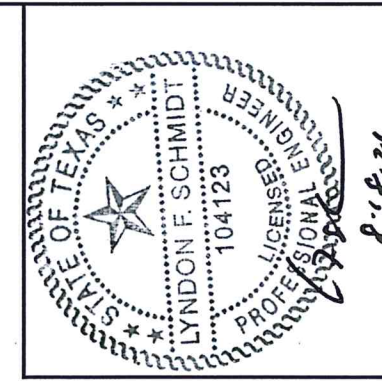
1. Anchors shall be as listed and spaced as shown in the details. Anchor embedment to base material shall be beyond wall dressing or stucco.
2. This system has been tested and evaluated as a large missile impact protective system for installation in areas requiring wind-borne debris protection. This product meets missile level "D" as defined in ASTM E 1996.
3. Allowable design pressure requirements must be equal to or less than the design pressure rating shown in the design pressure chart, sheet 1 of this drawing.
4. Conditions not covered by this drawing are subject to further engineering analysis.

### TABLE OF CONTENTS

SHEET#	DESCRIPTION
1	Typical elevations, design pressures & general notes
2	Door panel details
3	Sidelite panel details and glazing details
4	Elevations
5	Horizontal cross sections
6	Vertical cross sections
7	Vertical cross sections
8	Frame anchoring (OX/XO)
9	Frame anchoring (OXO)
10	Components
11	Bill of materials



CONFIGURATION	MAX. FRAME DIMENSION	DESIGN PRESSURE (PSF)	
		POSITIVE	NEGATIVE
OX/XO	75.5" x 80.5"	+ 55.0	- 55.0
OXO	113.5" x 80.5"	+ 55.0	- 55.0



Documents Prepared By: Lyndon F. Schmidt, P.E.  
TEXAS P.E. #104123

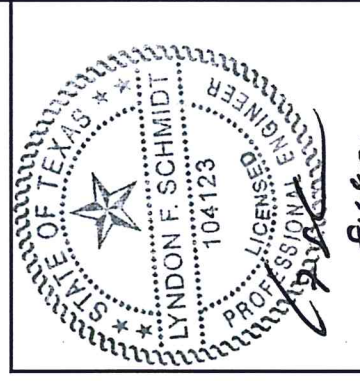
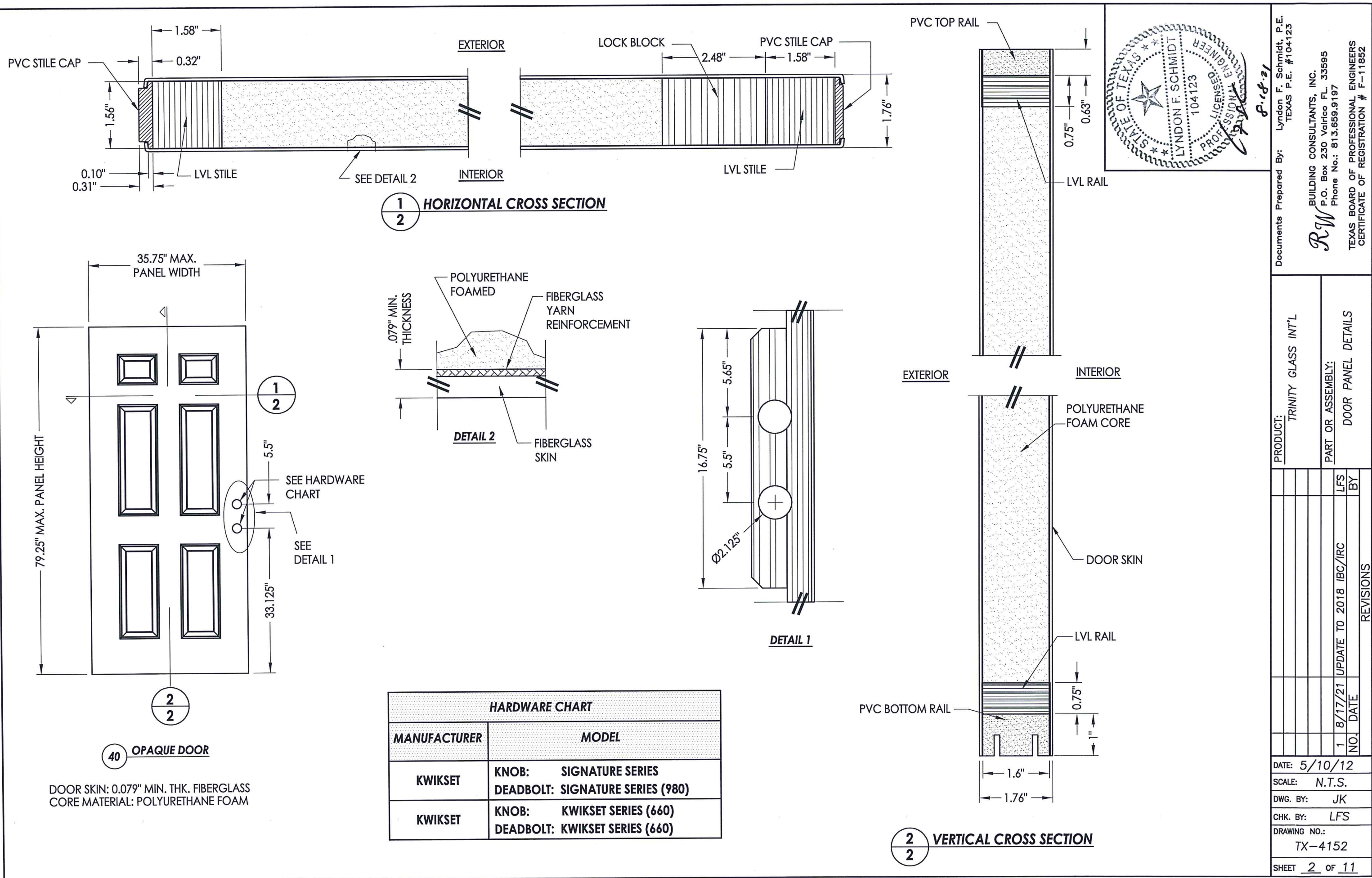
**RW** BUILDING CONSULTANTS, INC.  
P.O. Box 230 Valrico FL, 33595  
Phone No.: 813.659.9197

TEXAS BOARD OF PROFESSIONAL ENGINEERS  
CERTIFICATE OF REGISTRATION # F-11852

PRODUCT: TRINITY GLASS INT'L  
PART OR ASSEMBLY: TYPICAL ELEVATION, DESIGN PRESSURES & GENERAL NOTES

NO.	DATE	BY	REVISIONS
1	8/17/21	LFS	UPDATE TO 2018 IBC/IRC

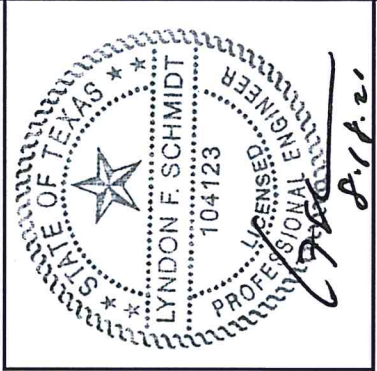
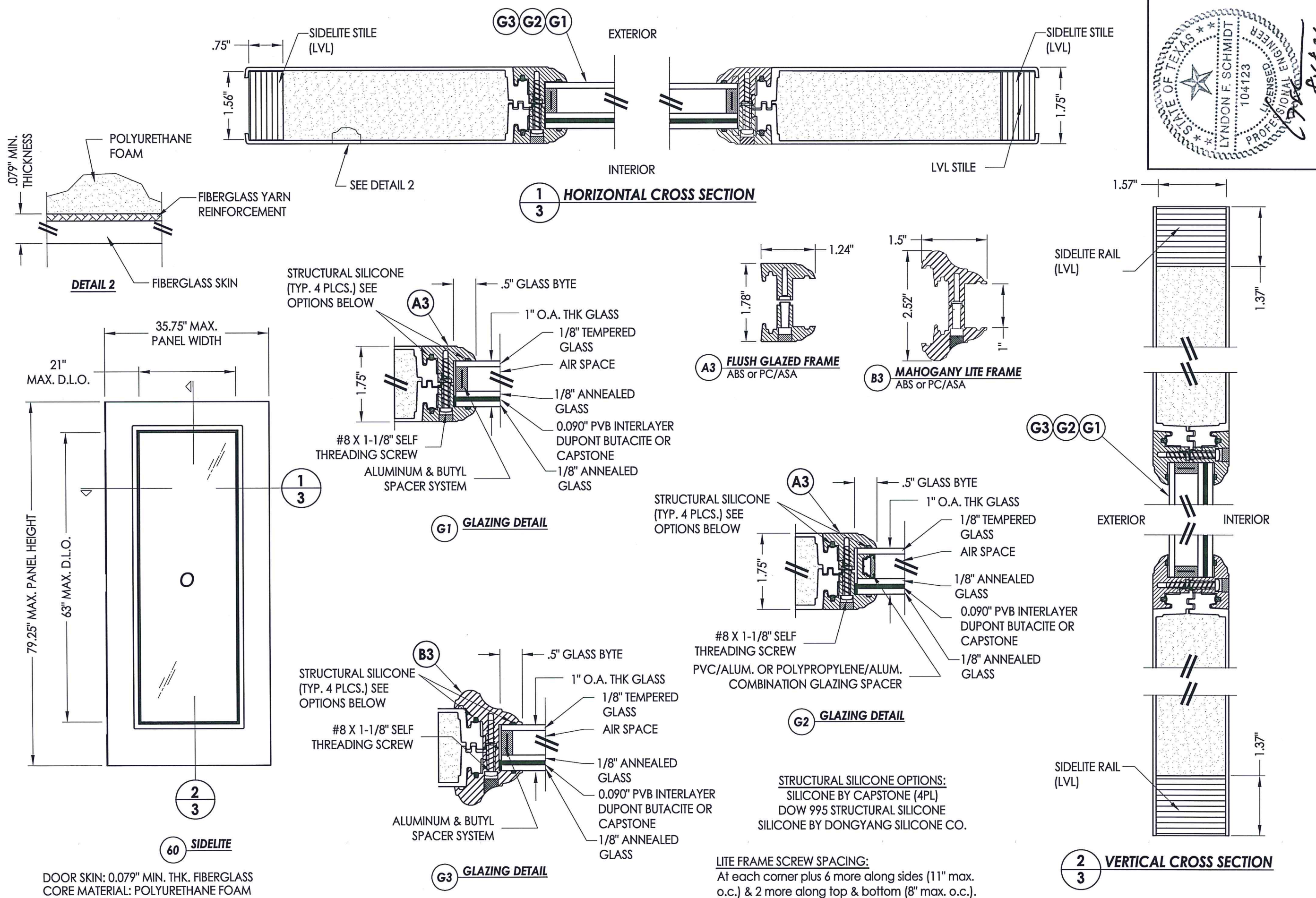
DATE: 5/10/12  
SCALE: N.T.S.  
DWG. BY: JK  
CHK. BY: LFS  
DRAWING NO.: TX-4152  
SHEET 1 OF 11



Documents Prepared By: Lyndon F. Schmidt, P.E.  
TEXAS P.E. #104123

**RW** BUILDING CONSULTANTS, INC.  
P.O. Box 230 Valrico FL 33595  
Phone No.: 813.659.9197

TEXAS BOARD OF PROFESSIONAL ENGINEERS  
CERTIFICATE OF REGISTRATION # F-11852



Documents Prepared By: Lyndon F. Schmidt, P.E.  
TEXAS P.E. #104123

**RW** BUILDING CONSULTANTS, INC.  
P.O. Box 230 Valrico FL, 33595  
Phone No.: 813.659.9197

TEXAS BOARD OF PROFESSIONAL ENGINEERS  
CERTIFICATE OF REGISTRATION # F-11852

PRODUCT: TRINITY GLASS INT'L

PART OR ASSEMBLY: SIDELITE PANEL

DETAILS AND GLAZING DETAILS

NO.	DATE	REVISIONS
1	8/17/21	UPDATE TO 2018 IBC/IRC

DATE: 5/10/12

SCALE: N.T.S.

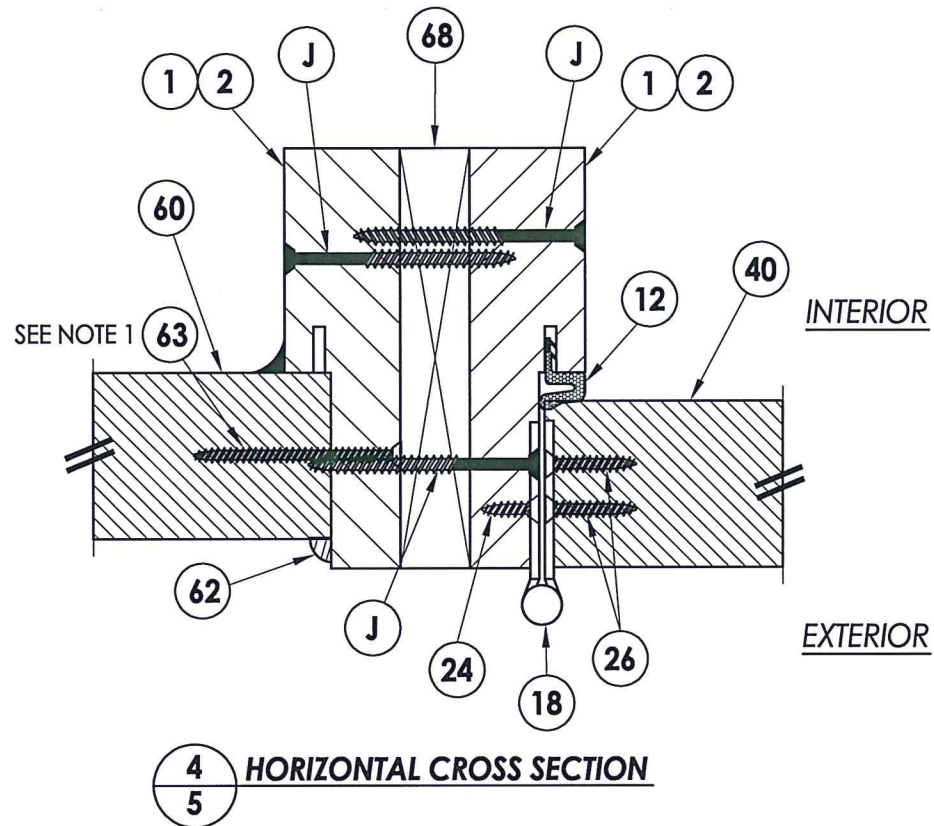
DWG. BY: JK

CHK. BY: LFS

DRAWING NO.: TX-4152

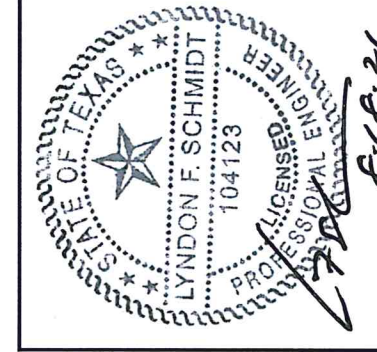
SHEET 3 OF 11





**NOTE:**

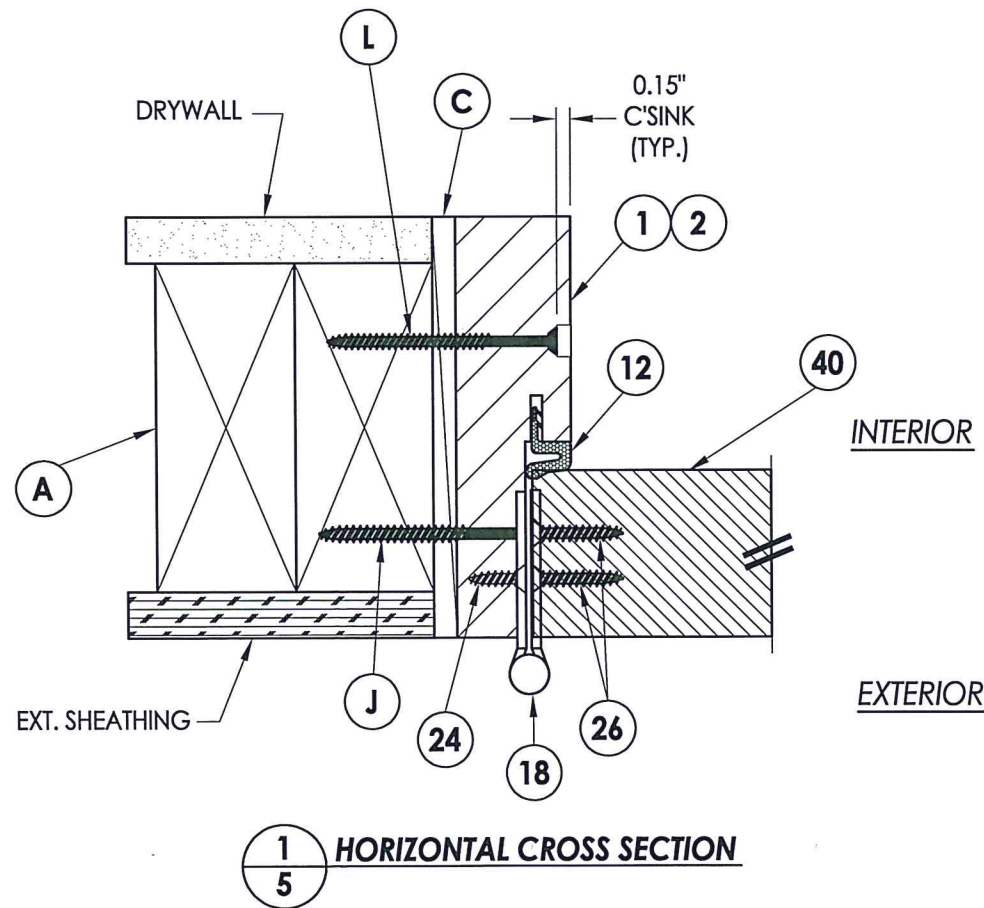
1. Item #63 located 6" from each end and 3 more equally spaced (5 total).



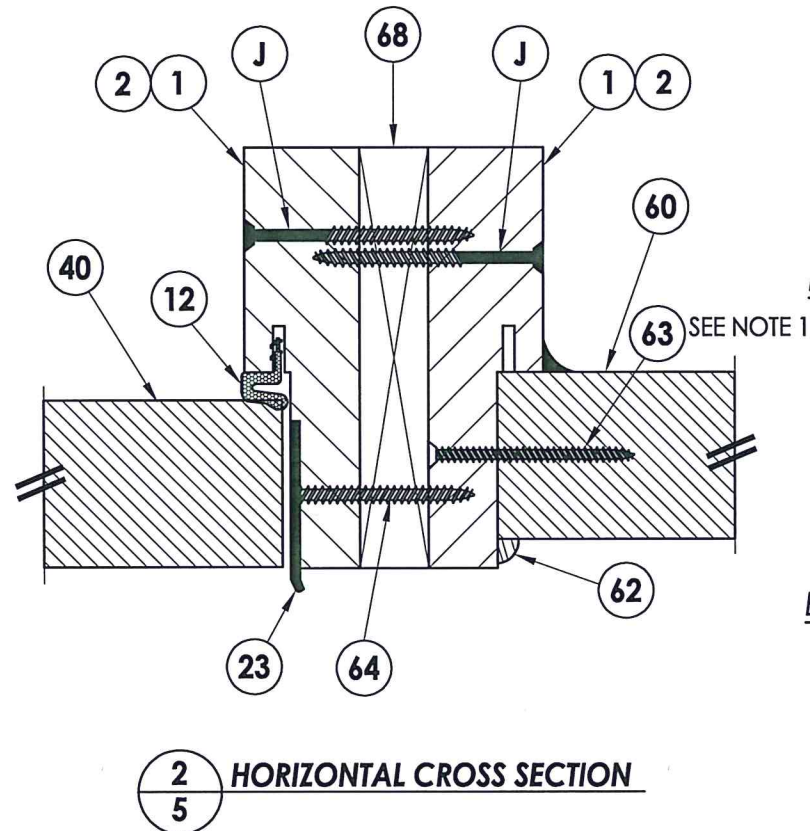
Documents Prepared By: Lyndon F. Schmidt, P.E.  
TEXAS P.E. #104123

**RW** BUILDING CONSULTANTS, INC.  
P.O. Box 230 Valrico FL 33595  
Phone No.: 813.659.9197  
TEXAS BOARD OF PROFESSIONAL ENGINEERS  
CERTIFICATE OF REGISTRATION # F-11852

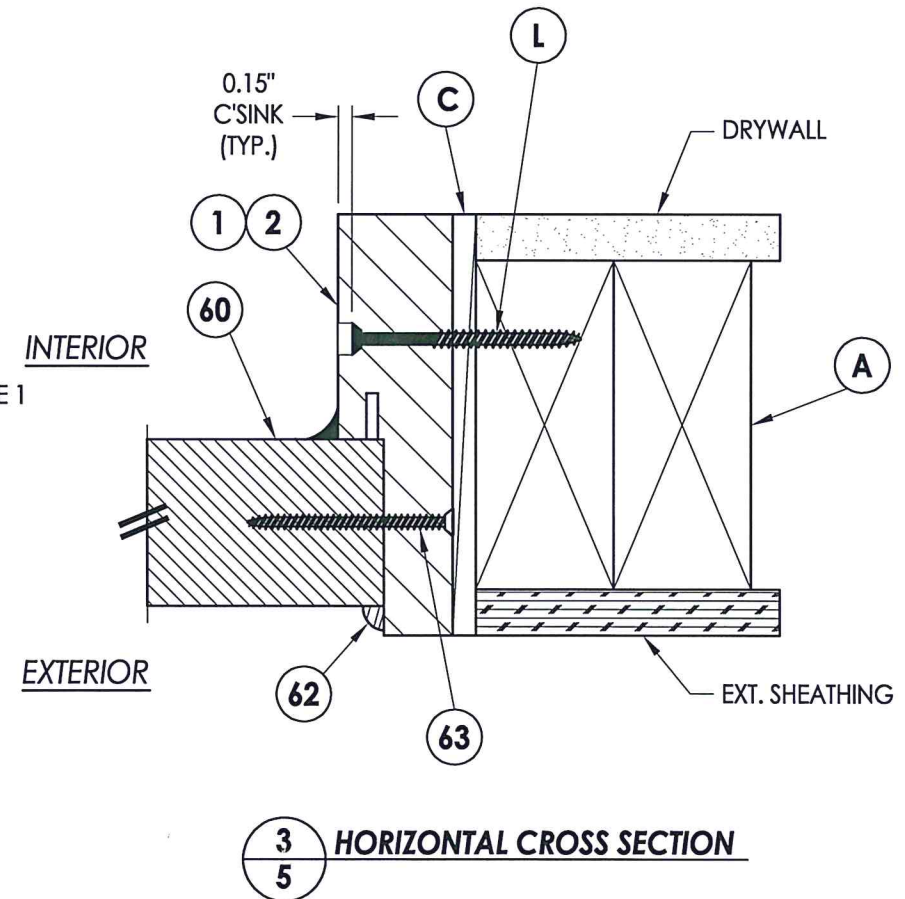
PRODUCT: TRINITY GLASS INT'L  
PART OR ASSEMBLY: HORIZONTAL CROSS SECTIONS



**1**  
**5** HORIZONTAL CROSS SECTION



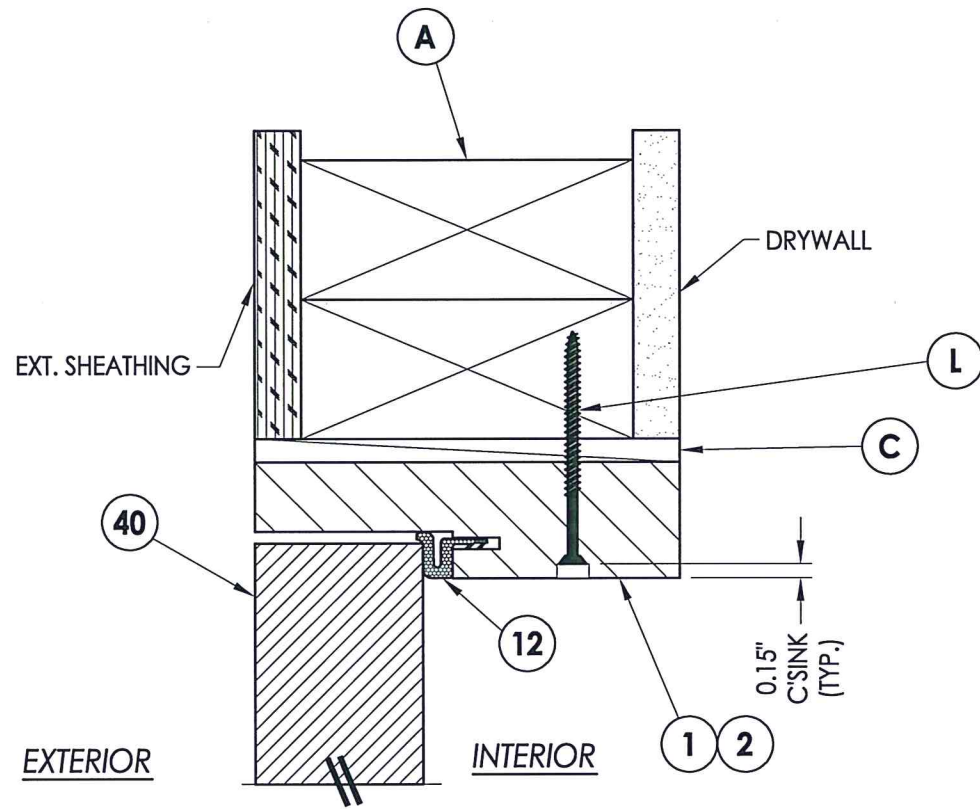
**2**  
**5** HORIZONTAL CROSS SECTION



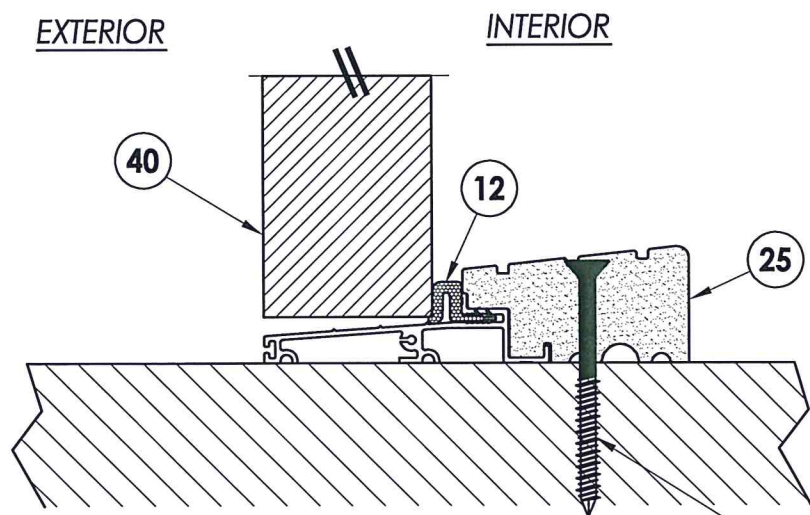
**3**  
**5** HORIZONTAL CROSS SECTION

REVISIONS	
NO.	DATE
1	8/17/21
	UPDATE TO 2018 IBC/IRC
	LFS
	BY

DATE: 5/10/12  
SCALE: N.T.S.  
DWG. BY: JK  
CHK. BY: LFS  
DRAWING NO.: TX-4152  
SHEET 5 of 11

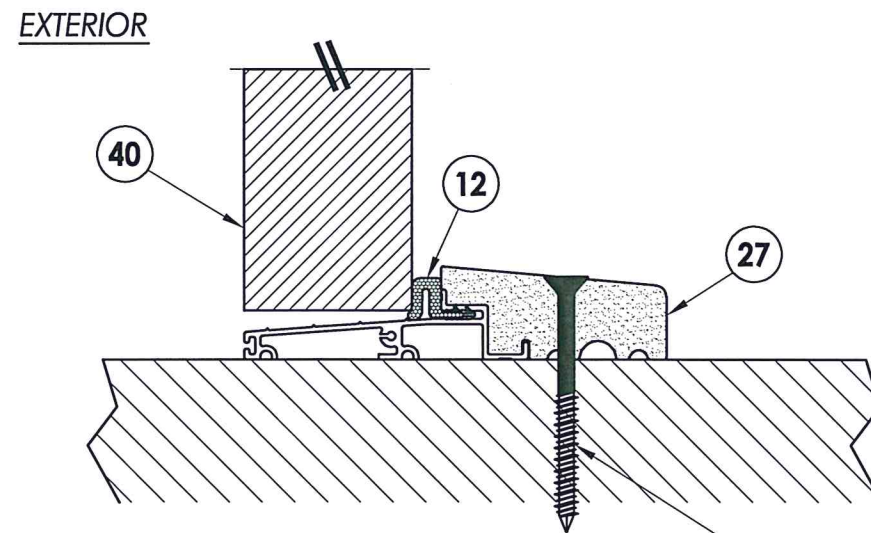


**1**  
**6** VERTICAL CROSS SECTION



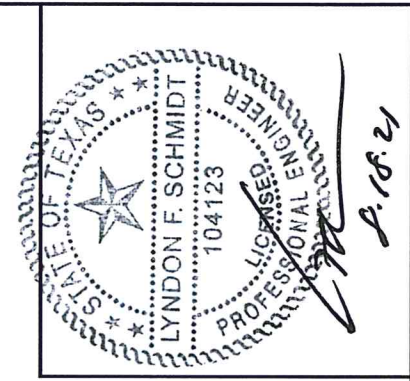
**2**  
**6** VERTICAL CROSS SECTION  
Outswing sill - high dam

**P** WOOD  
**D** CONCRETE



**3**  
**6** VERTICAL CROSS SECTION  
Outswing sill

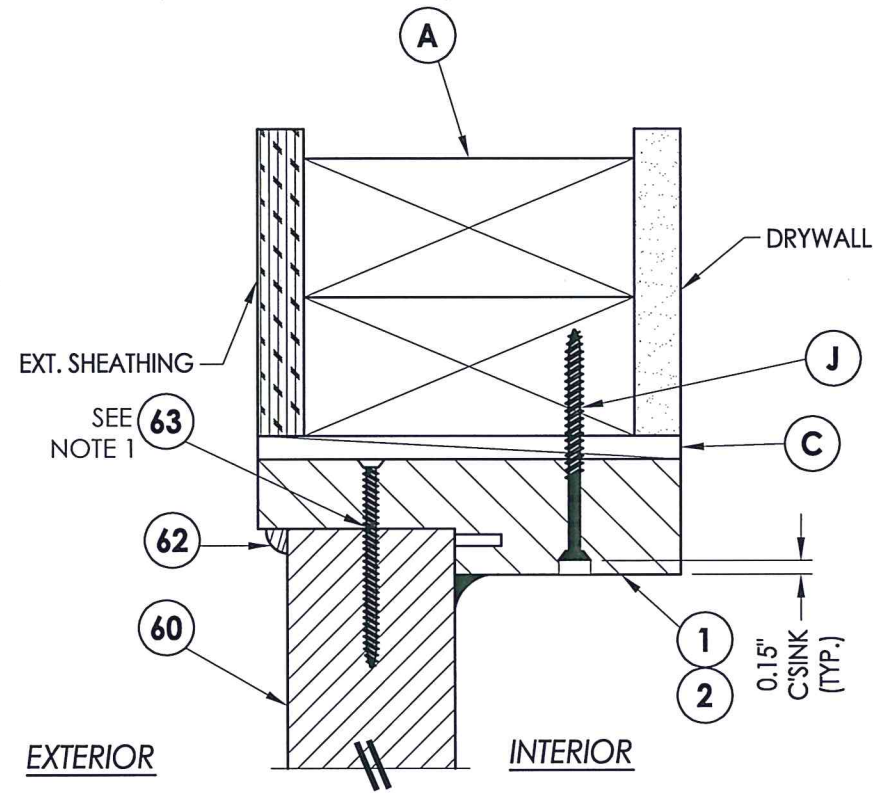
**P** WOOD  
**D** CONCRETE



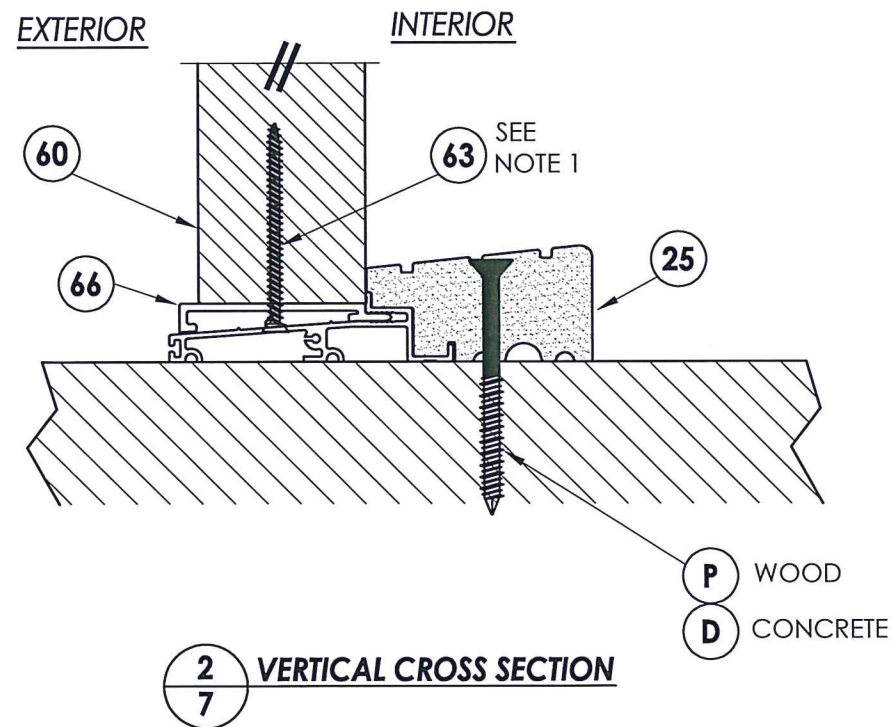
Documents Prepared By: Lyndon F. Schmidt, P.E.  
TEXAS P.E. #104123

**RW** BUILDING CONSULTANTS, INC.  
P.O. Box 230 Valrico FL, 33595  
Phone No.: 813.659.9197  
TEXAS BOARD OF PROFESSIONAL ENGINEERS  
CERTIFICATE OF REGISTRATION # F-11852

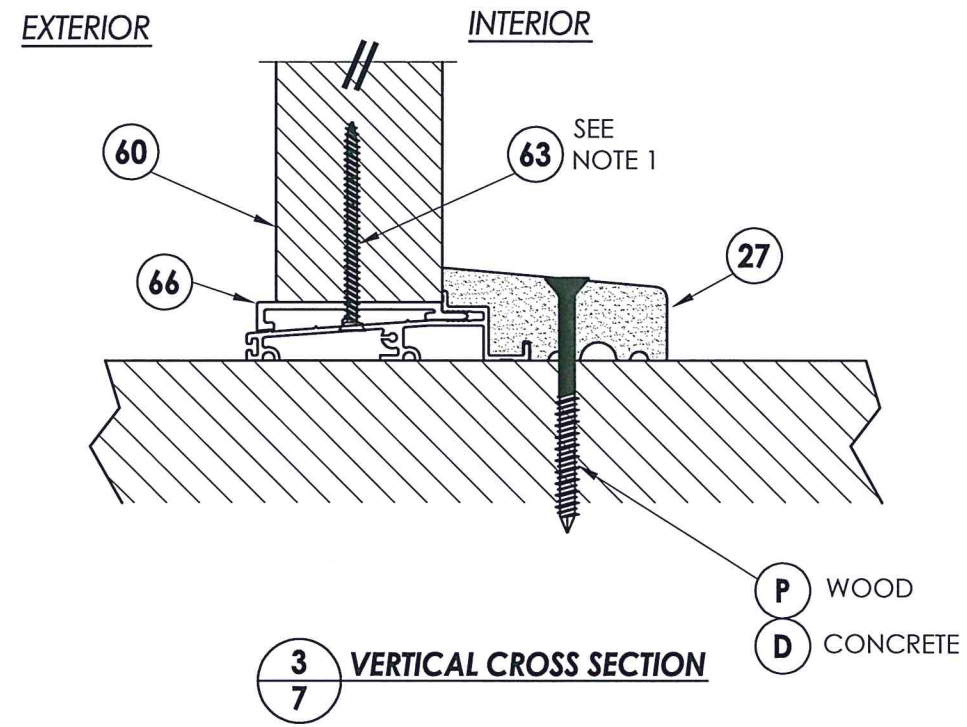
PRODUCT: TRINITY GLASS INT'L	
PART OR ASSEMBLY: VERTICAL CROSS SECTIONS	
NO.	DATE
1	8/17/21
UPDATE TO 2018 IBC/IRC	
LFS	BY
REVISIONS	
DATE: 5/10/12	
SCALE: N.T.S.	
DWG. BY: JK	
CHK. BY: LFS	
DRAWING NO.: TX-4152	
SHEET 6 OF 11	



**1**  
**7** VERTICAL CROSS SECTION



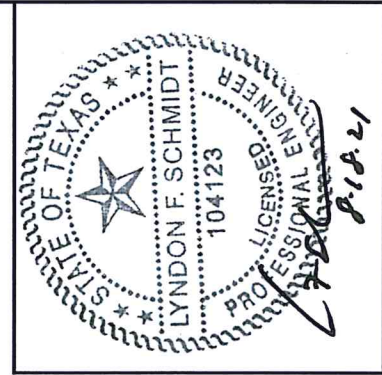
**2**  
**7** VERTICAL CROSS SECTION



**3**  
**7** VERTICAL CROSS SECTION

**NOTE:**

1. Screws thru head and sill jamb located 3" from each end and on center line.



Documents Prepared By: Lyndon F. Schmidt, P.E.  
TEXAS P.E. #104123

**RW** BUILDING CONSULTANTS, INC.  
P.O. Box 230 Valrico FL 33595  
Phone No.: 813.659.9197  
TEXAS BOARD OF PROFESSIONAL ENGINEERS  
CERTIFICATE OF REGISTRATION # F-11852

PRODUCT: TRINITY GLASS INT'L

PART OR ASSEMBLY: VERTICAL CROSS SECTIONS

NO.	DATE	BY	REVISIONS
1	8/17/21	LFS	UPDATE TO 2018 IBC/IRC

DATE: 5/10/12

SCALE: N.T.S.

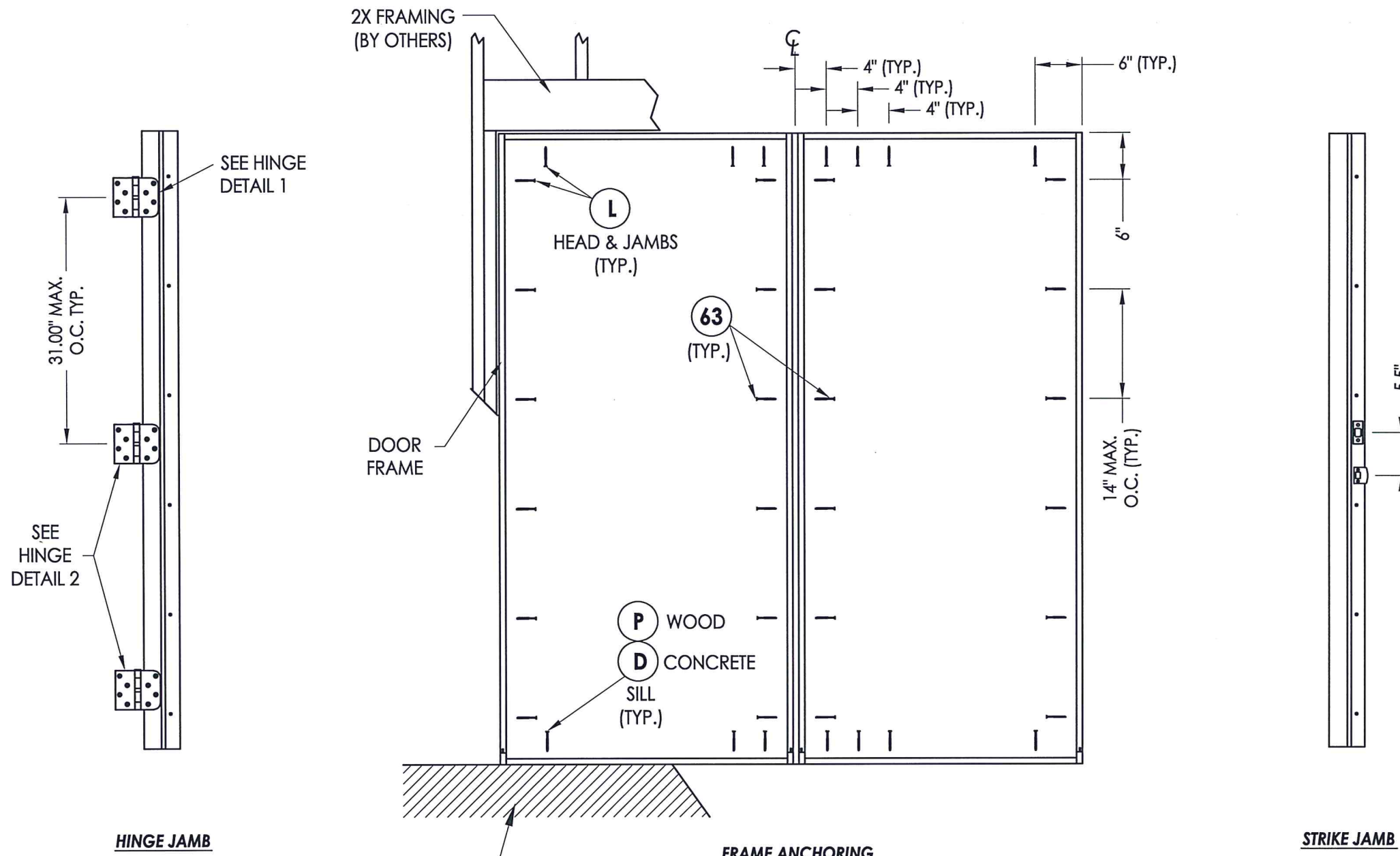
DWG. BY: JK

CHK. BY: LFS

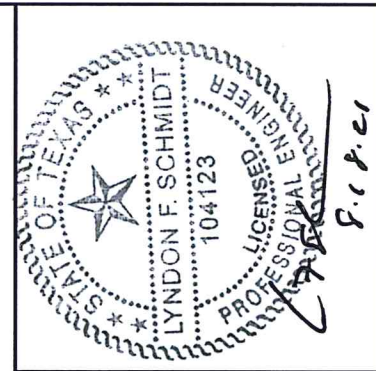
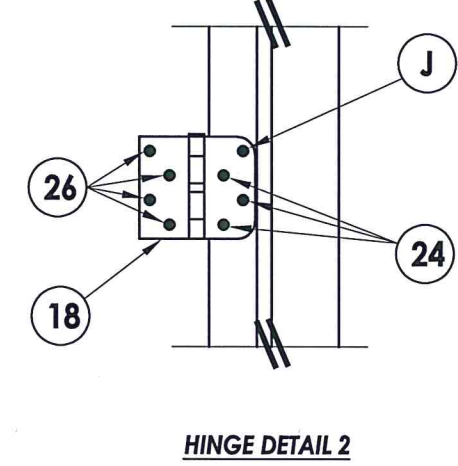
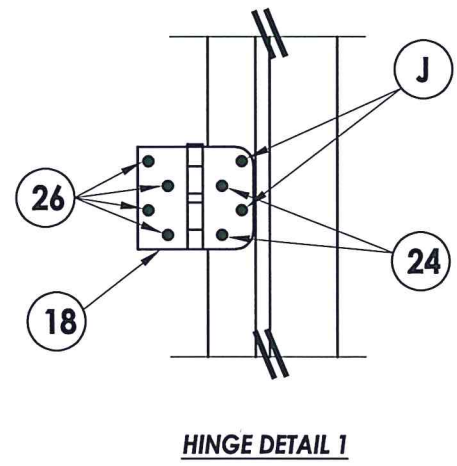
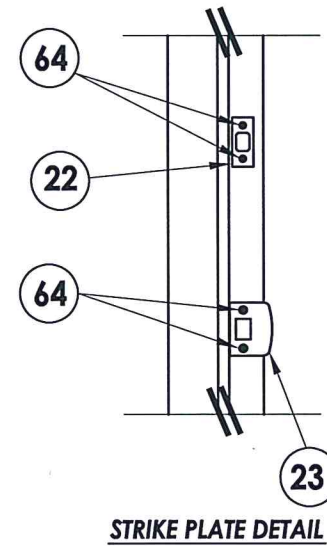
DRAWING NO.:

TX-4152

SHEET 7 OF 11



FLOOR SUBSTRATE MATERIAL (TYP.)  
 CONCRETE (MIN. 3000 PSI)  
 WOOD (G >= 0.42)



Documents Prepared By: Lyndon F. Schmidt, P.E.  
 TEXAS P.E. #104123

**RW** BUILDING CONSULTANTS, INC.  
 P.O. Box 230 Valrico FL 33595  
 Phone No.: 813.659.9197

TEXAS BOARD OF PROFESSIONAL ENGINEERS  
 CERTIFICATE OF REGISTRATION # F-11852

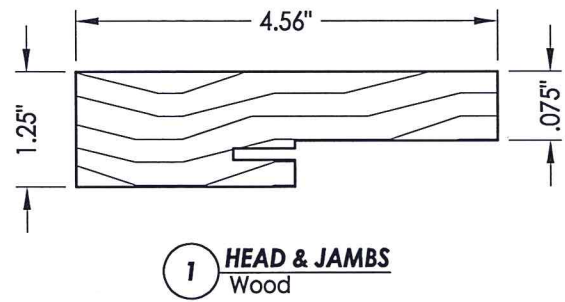
PRODUCT:	TRINITY GLASS INT'L
PART OR ASSEMBLY:	FRAME ANCHORING (OX/XO)

NO.	DATE	BY	REVISIONS
1	8/17/21	LFS	UPDATE TO 2018 IBC/IRC

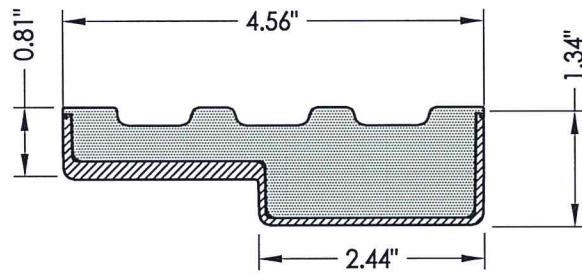
DATE: 5/10/12  
 SCALE: N.T.S.  
 DWG. BY: JK  
 CHK. BY: LFS  
 DRAWING NO.: TX-4152  
 SHEET 8 OF 11



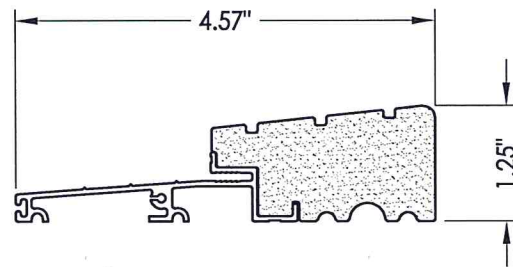




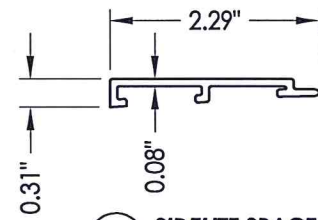
**1 HEAD & JAMBS**  
Wood



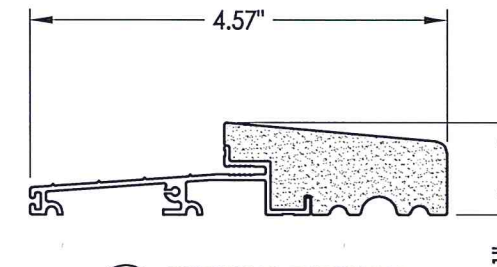
**2 HEAD & JAMBS**  
Composite PVC Base  
w/ Fiberglass Wrap



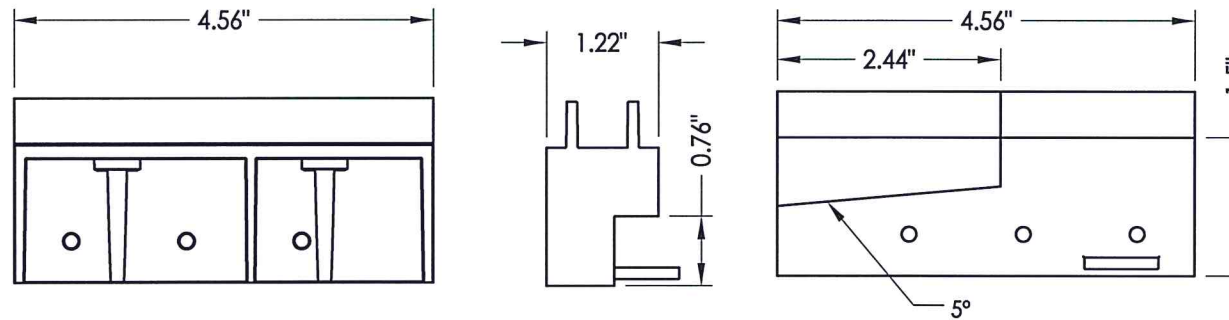
**25 OUTSWING THRESHOLD**  
High-dam option



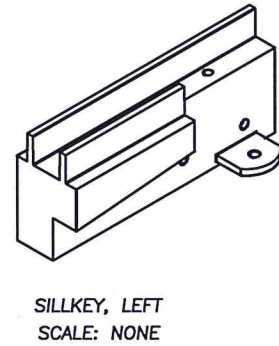
**66 SIDELITE SPACER**  
Outswing



**27 OUTSWING THRESHOLD**



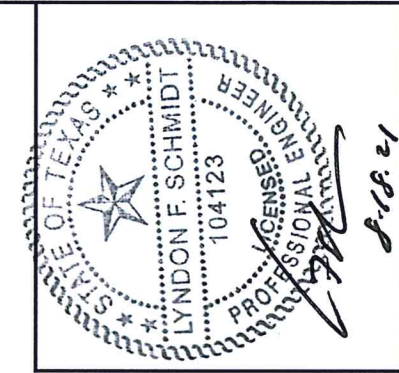
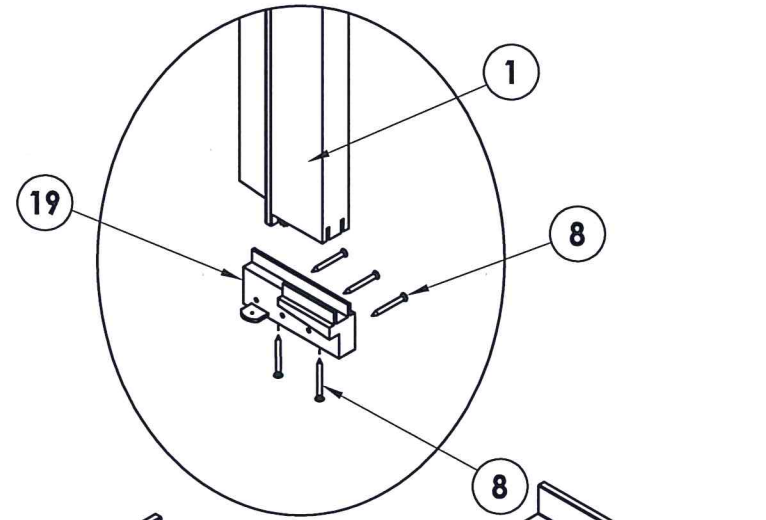
**19 SILLKEY DETAILS**  
Optional



SILLKEY, LEFT  
SCALE: NONE



SILLKEY, RIGHT  
SCALE: NONE



Documents Prepared By: Lyndon F. Schmidt, P.E.  
TEXAS P.E. #104123

**RW** BUILDING CONSULTANTS, INC.  
P.O. Box 230 Valrico FL 33595  
Phone No.: 813.659.9197  
TEXAS BOARD OF PROFESSIONAL ENGINEERS  
CERTIFICATE OF REGISTRATION # F-11852

PRODUCT:		TRINITY GLASS INT'L	
PART OR ASSEMBLY:		COMPONENTS	
NO.	DATE	BY	REVISIONS
1	8/17/21	LFS	UPDATE TO 2018 IBC/IRC
DATE: 5/10/12			
SCALE: N.T.S.			
DWG. BY: JK			
CHK. BY: LFS			
DRAWING NO.: TX-4152			
SHEET 10 OF 11			

