



TRINITY GLASS
INTERNATIONAL

33615 1st Way S, Federal Way, WA 98003

3'0 X 6'8
GLAZED PREMIUM FIBERGLASS
SINGLE DOOR WITH SIDELITES (BOXED)
IN SWING / OUT SWING
"NON-IMPACT"

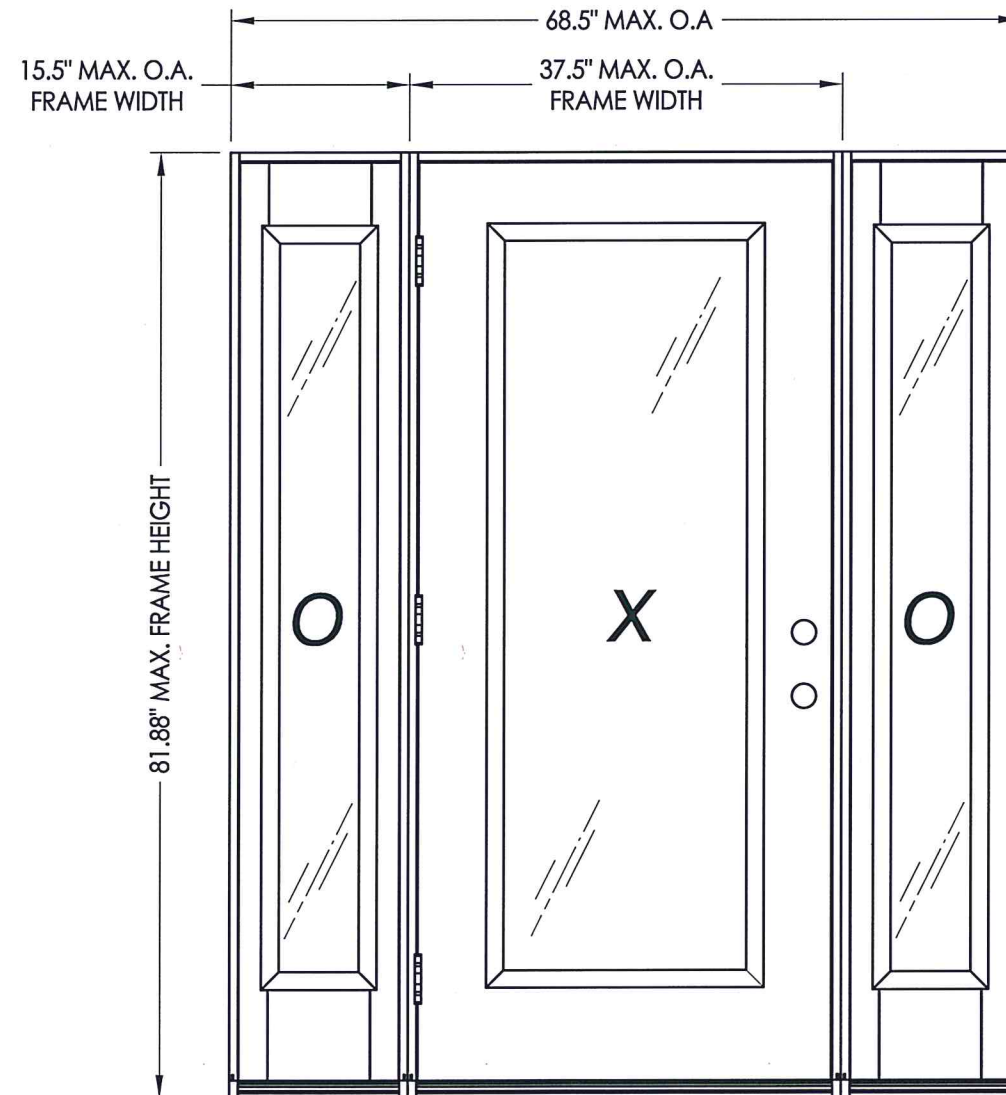
EVALUATED FOR USE IN THE STATE OF TEXAS

The Fiberglass Door system described herein complies with the 2018 International Residential Code (IRC), Sections R301 & R609 and the 2018 International Building Code (IBC), Sections 1404.13, 1609, 1709.5, 2403 and 2404 subject to the following conditions:

1. Anchors shall be as listed and spaced as shown in the details. Anchor embedment to base material shall be beyond wall dressing or stucco.
2. When used in wind borne debris regions, the opaque door panel has been tested and evaluated as an impact resistant product and does not require the use of an approved impact resistant covering. The sidelite must be protected with an impact resistant covering that complies with Sections R301.2.1.2 and 1609.1.2. This opaque door meets missile level "D" as defined in ASTM E 1996.
3. Allowable design pressure requirements must be equal to or less than the design pressure rating shown in the design pressure chart, sheet 1 of this drawing.
4. Conditions not covered by this drawing are subject to further engineering analysis.

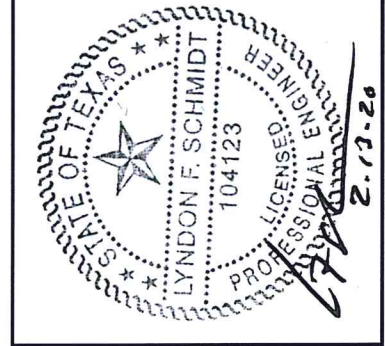
TABLE OF CONTENTS

SHEET #	DESCRIPTION
1	Typical elevations, design pressures & general notes
2	Door panel construction details & glazing details
3	Sidelite panel construction details & glazing details
4	Horizontal cross sections
5	Vertical cross sections
6	Vertical cross sections
7	Frame anchoring
8	Components
9	Bill of materials



SINGLE with BOXED SIDELITES

SWING	MAX. FRAME DIMENSION	GLASS TYPE	DESIGN PRESSURE (PSF)	
			POSITIVE	NEGATIVE
IN SWING	68.5" x 81.88"	G1	+55.0	-55.0
OUT SWING	68.5" x 80.75"		+55.0	-55.0



Documents Prepared By: Lyndon F. Schmidt, P.E.
TEXAS P.E. #104123

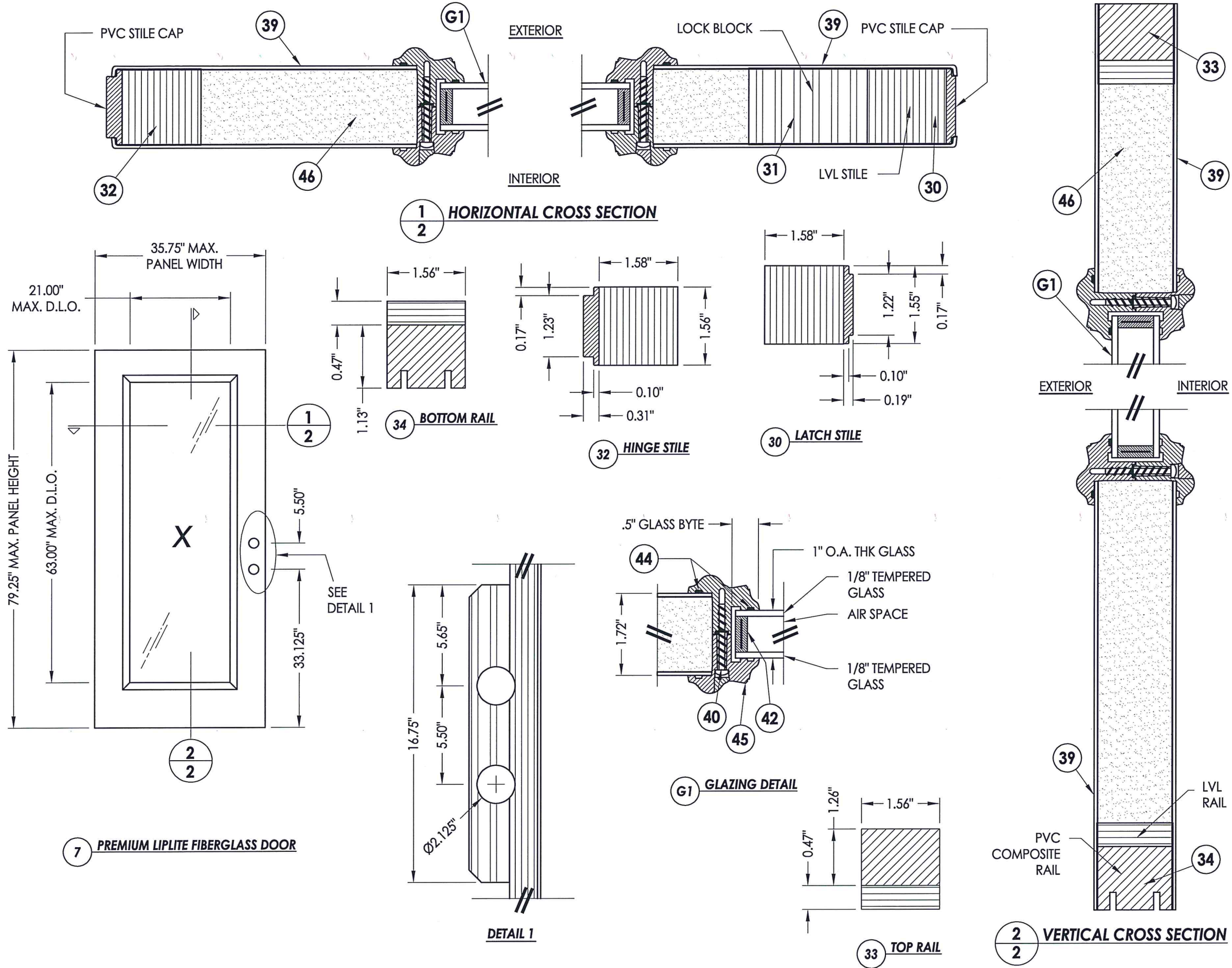
RW BUILDING CONSULTANTS, INC.
P.O. Box 230 Valrico FL 33595
Phone No.: 813.659.9197

TEXAS BOARD OF PROFESSIONAL ENGINEERS
CERTIFICATE OF REGISTRATION # F-11852

PRODUCT: TRINITY GLASS INT'L PREMIUM LIPLITE FIBERGLASS
PART OR ASSEMBLY: TYPICAL ELEVATION, DESIGN PRESSURES & GENERAL NOTES

NO.	DATE	BY	REVISIONS
3	2/12/20	LFS	UPDATE TO 2018 IRC/IRC
2	7/23/09	AL	TDI PRODUCT EVALUATION
1	6/28/06	EW	REVISED LOCKSET NOMENCLATURE

DATE: 8/26/05
SCALE: N.T.S.
DWG. BY: EW
CHK. BY: LFS
DRAWING NO.: TX-594
SHEET 1 OF 9



Documents Prepared By: Lyndon F. Schmidt, P.E.
 TEXAS P.E. #104123

RW BUILDING CONSULTANTS, INC.
 P.O. Box 230 Valrico FL 33595
 Phone No.: 813.659.9197

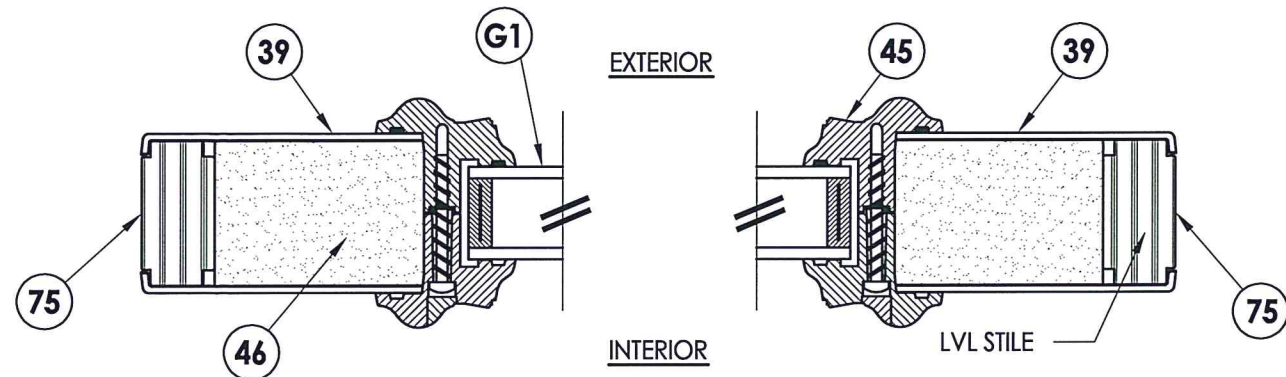
TEXAS BOARD OF PROFESSIONAL ENGINEERS
 CERTIFICATE OF REGISTRATION # F-11852

PRODUCT: TRINITY GLASS INT'L
 PREMIUM LIPLITE FIBERGLASS

PART OR ASSEMBLY:
 DOOR PANEL CONSTRUCTION
 DETAILS AND GLAZING DETAILS

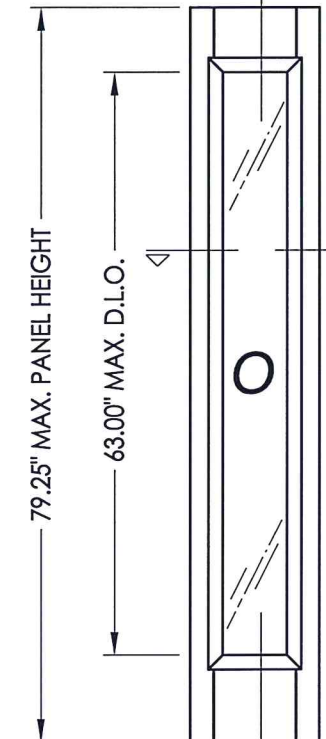
NO.	DATE	REVISIONS
3	2/12/20	UPDATE TO 2018 IBC/IRC
2	7/23/09	TDI PRODUCT EVALUATION UPDATE
1	6/28/06	REVISED LOCKSET NOMENCLATURE
		EW
		BY

DATE: 8/26/05
 SCALE: N.T.S.
 DWG. BY: EW
 CHK. BY: LFS
 DRAWING NO.: TX-594
 SHEET 2 OF 9

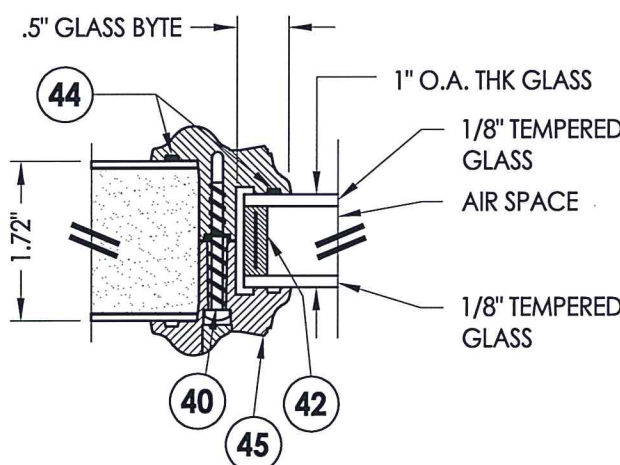


1
3 HORIZONTAL CROSS SECTION

13.88" MAX. PANEL WIDTH
6.84" MAX. D.L.O.

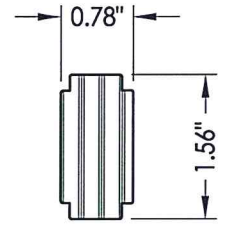


1
3

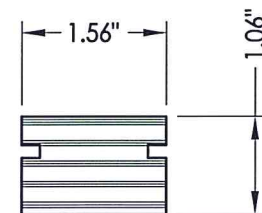


G1 GLAZING DETAIL

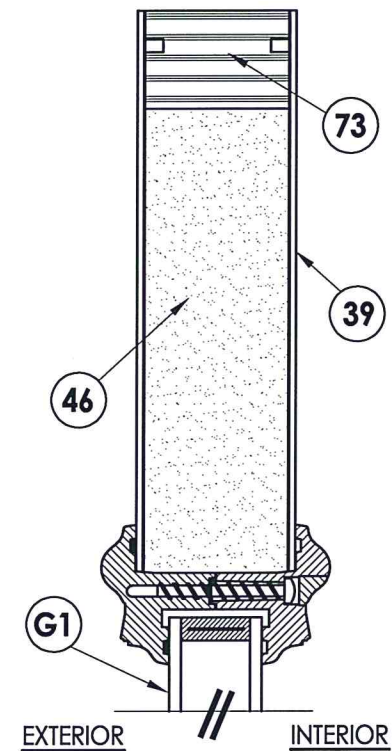
66 PREMIUM LIPLITE FIBERGLASS SIDELITE



75 SIDELITE STILE



74 **73** TOP & BOTTOM RAIL SIDELITE



G1 EXTERIOR INTERIOR

2
3 VERTICAL CROSS SECTION



Documents Prepared By: Lyndon F. Schmidt, P.E.
TEXAS P.E. #104123

RW BUILDING CONSULTANTS, INC.
P.O. Box 230 Valrico FL 33595
Phone No.: 813.659.9197
TEXAS BOARD OF PROFESSIONAL ENGINEERS
CERTIFICATE OF REGISTRATION # F-11852

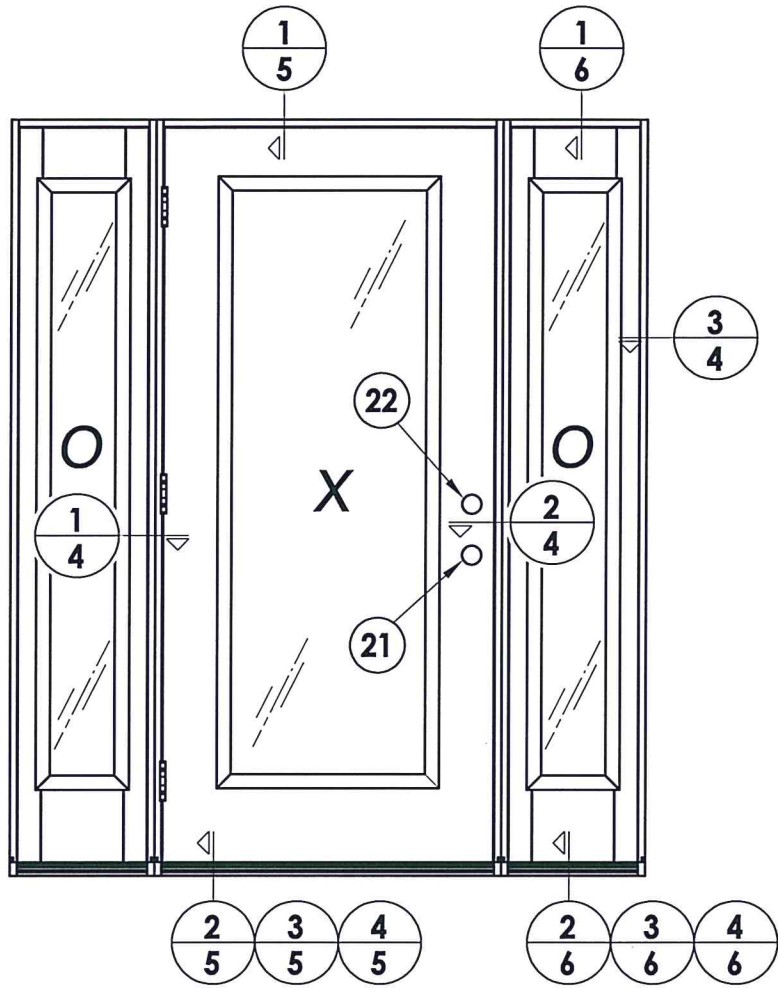
PRODUCT: TRINITY GLASS INT'L
PREMIUM LIPLITE FIBERGLASS
PART OR ASSEMBLY: SIDELITE PANEL CONSTRUCTION
DETAILS AND GLAZING DETAILS

NO.	DATE	REVISIONS
3	2/12/20	UPDATE TO 2018 IBC/IRC
2	7/23/09	TDI PRODUCT EVALUATION UPDATE
1	6/28/06	REVISED LOCKSET NOMENCLATURE

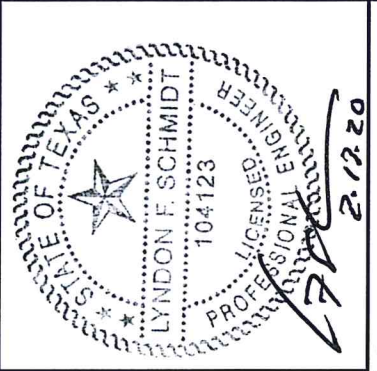
DATE: 8/26/05
SCALE: N.T.S.
DWG. BY: EW
CHK. BY: LFS
DRAWING NO.: TX-594
SHEET 3 OF 9

NOTE:

- Sidelite ass'y fastener: 6" from each end and 4 more screws equally spaced between (6 screws total per jamb).



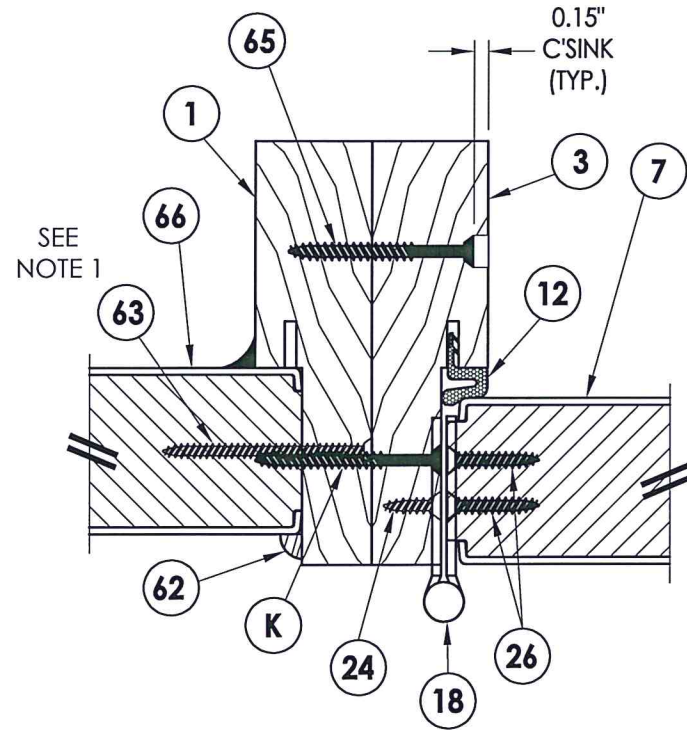
HARDWARE CHART		
MANUFACTURER	MODEL	ITEM #
KWIKSET	LOCK: 740	21
	DEADBOLT: 780	22
KWIKSET	LOCK: COMBO 660	21
	DEADBOLT: COMBO 660	22
SCHLAGE	LOCK: MAX. SECURITY	21
	DEADBOLT: MAX. SECURITY	22



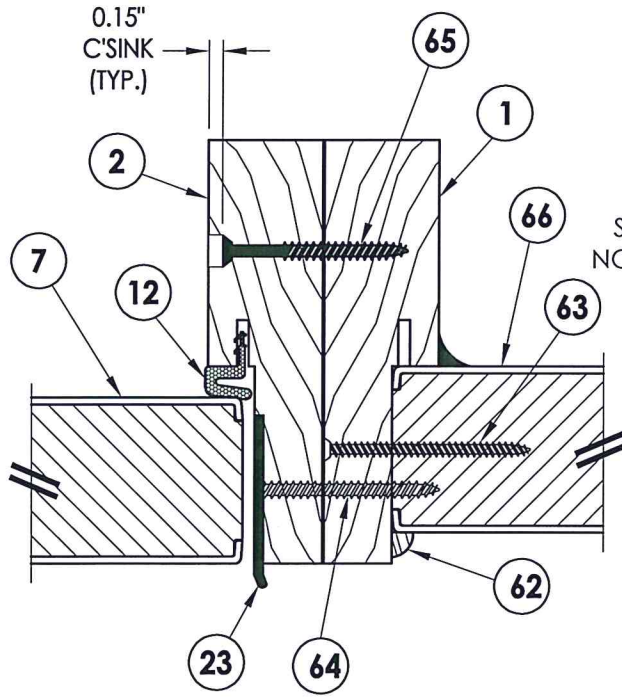
Documents Prepared By: Lyndon F. Schmidt, P.E.
TEXAS P.E. #104123

RW BUILDING CONSULTANTS, INC.
P.O. Box 230 Valrico FL 33595
Phone No.: 813.659.9197

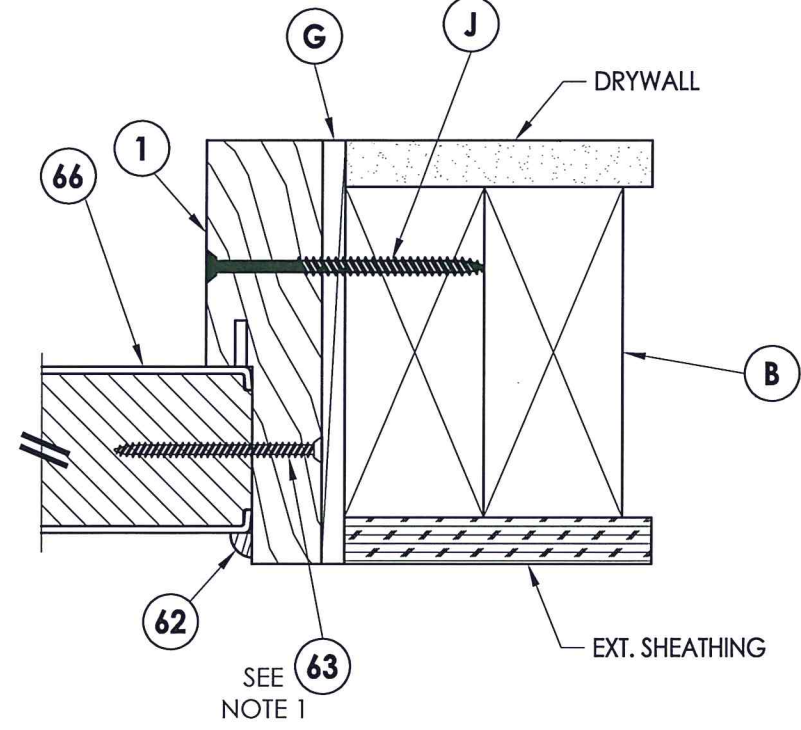
TEXAS BOARD OF PROFESSIONAL ENGINEERS
CERTIFICATE OF REGISTRATION # F-11852



1 HORIZONTAL CROSS SECTION
4 Outswing shown
Inswing also approved

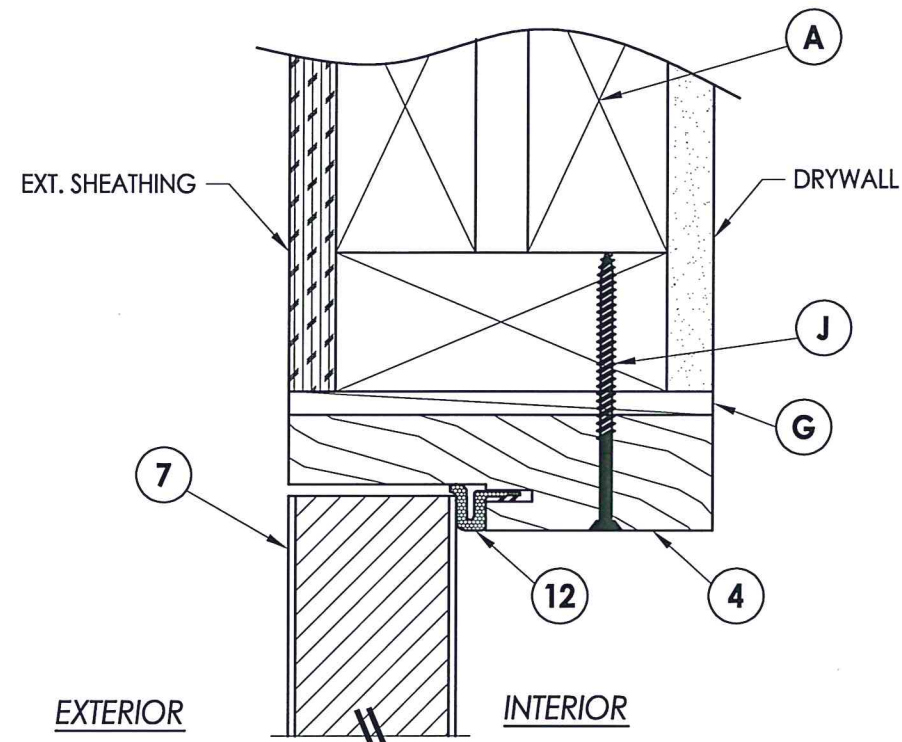


2 HORIZONTAL CROSS SECTION
4 Outswing shown
Inswing also approved

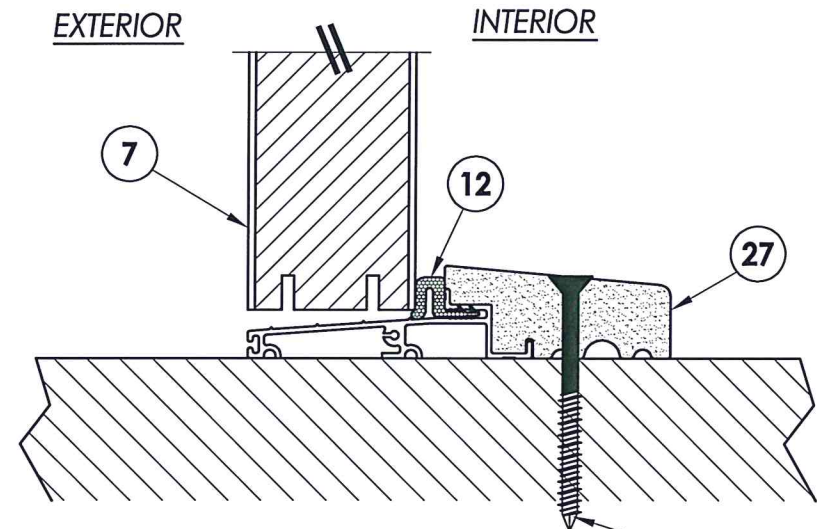


3 HORIZONTAL CROSS SECTION
4 Outswing shown
Inswing also approved

PRODUCT:	TRINITY GLASS INT'L PREMIUM LIPLITE FIBERGLASS		
PART OR ASSEMBLY:	HORIZONTAL CROSS SECTION		
NO.	DATE	BY	REVISIONS
3	2/12/20	LFS	UPDATE TO 2018 IBC/IRC
2	7/23/09	AL	TDI PRODUCT EVALUATION UPDATE
1	6/28/06	EW	REVISED LOCKSET NOMENCLATURE
DATE: 8/26/05			
SCALE: N.T.S.			
DWG. BY: EW			
CHK. BY: LFS			
DRAWING NO.: TX-594			
SHEET 4 OF 9			

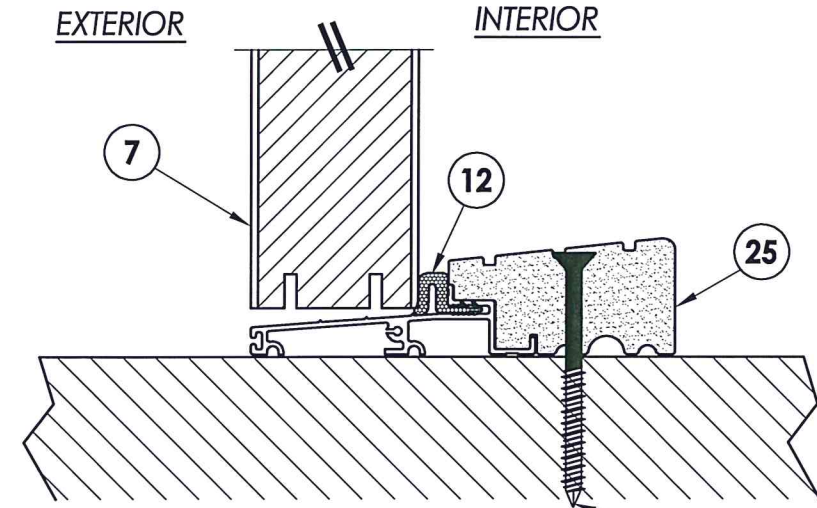


1 VERTICAL CROSS SECTION
5 Outswing shown
 Inswing also approved



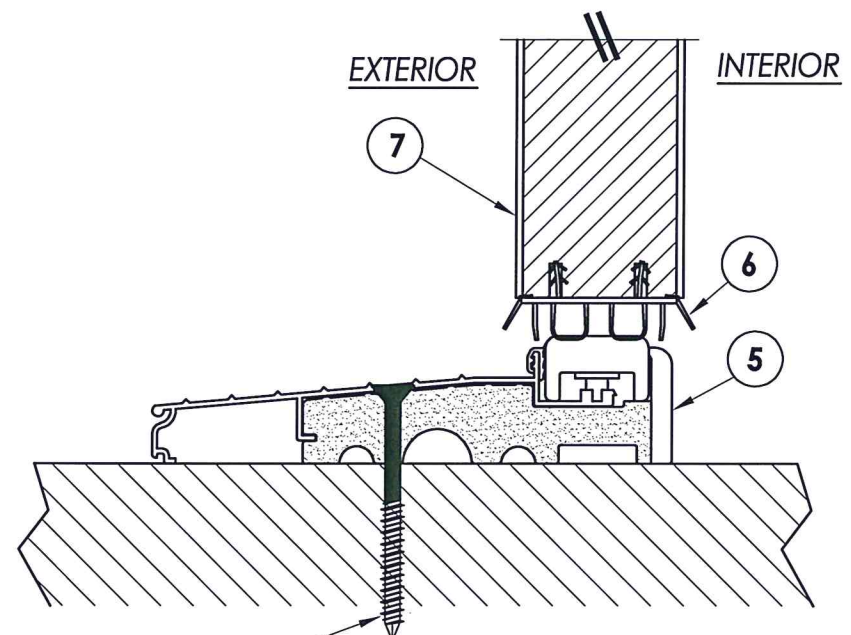
2 VERTICAL CROSS SECTION
5 Outswing configuration

L WOOD
P CONCRETE



3 VERTICAL CROSS SECTION
5 Outswing configuration

L WOOD
P CONCRETE



WOOD **L**
 CONCRETE **P**
4 VERTICAL CROSS SECTION
5 Inswing configuration



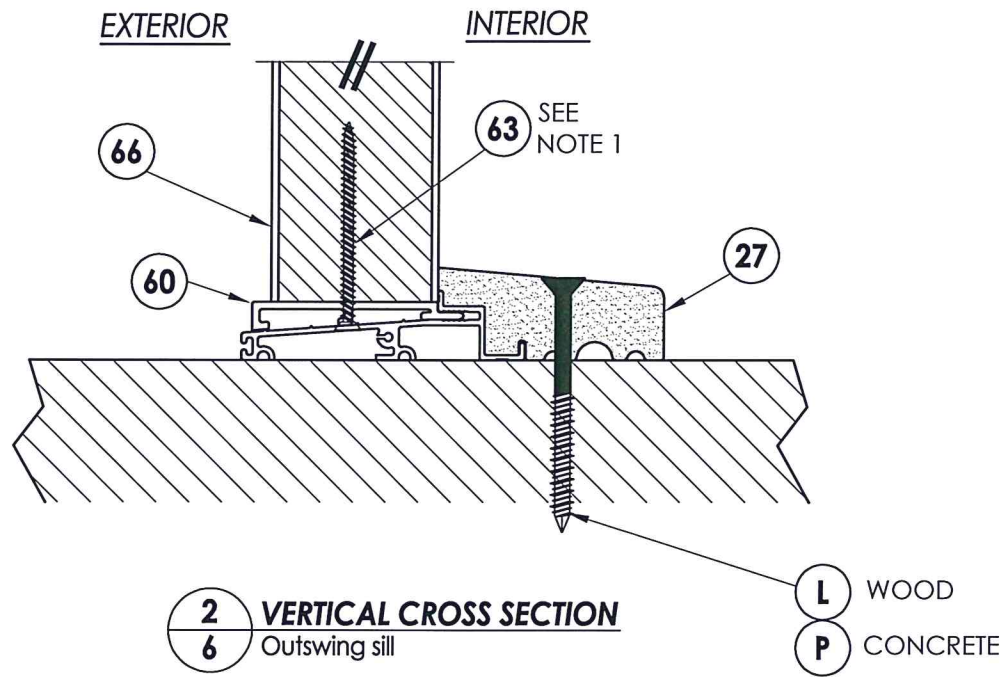
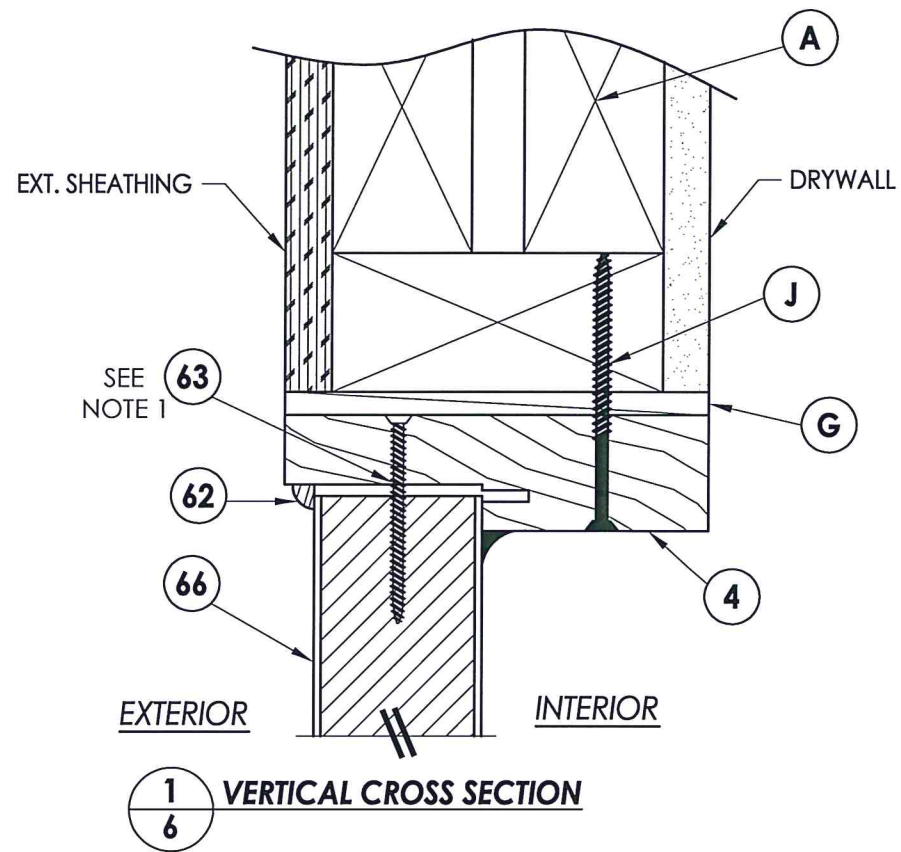
Documents Prepared By: Lyndon F. Schmidt, P.E.
 TEXAS P.E. #104123

RW BUILDING CONSULTANTS, INC.
 P.O. Box 230 Vairico FL, 33595
 Phone No.: 813.659.9197
 TEXAS BOARD OF PROFESSIONAL ENGINEERS
 CERTIFICATE OF REGISTRATION # F-11852

PRODUCT: TRINITY GLASS INT'L
 PREMIUM LIPLITE FIBERGLASS
 PART OR ASSEMBLY: VERTICAL CROSS SECTIONS

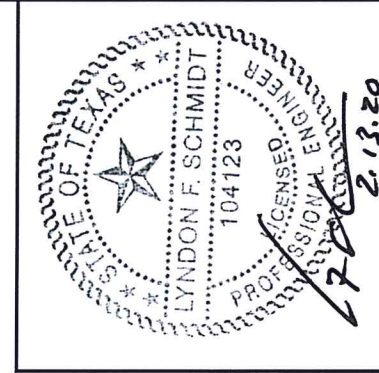
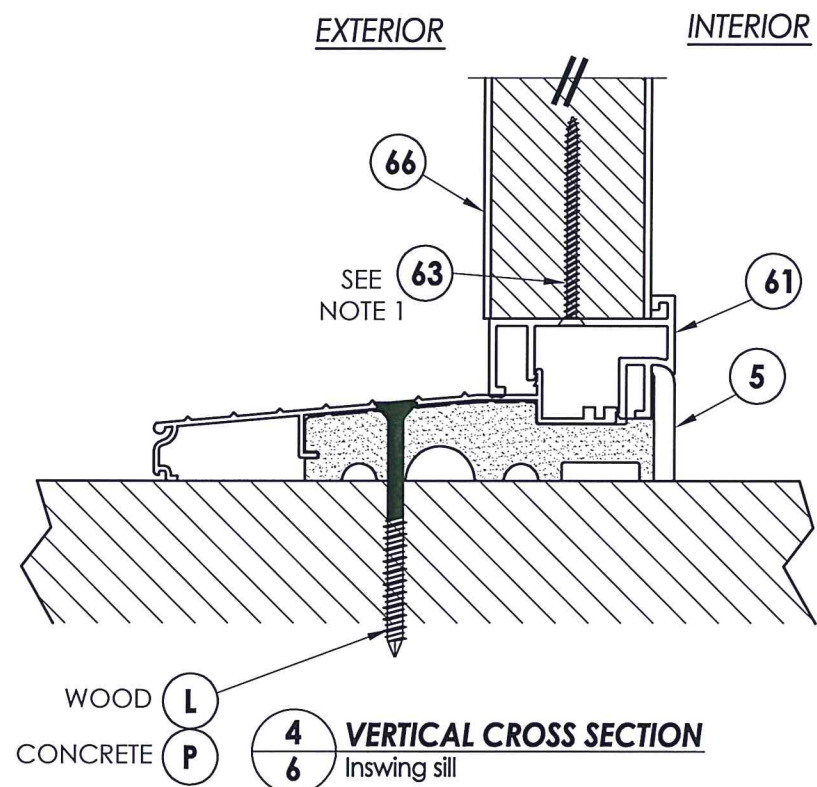
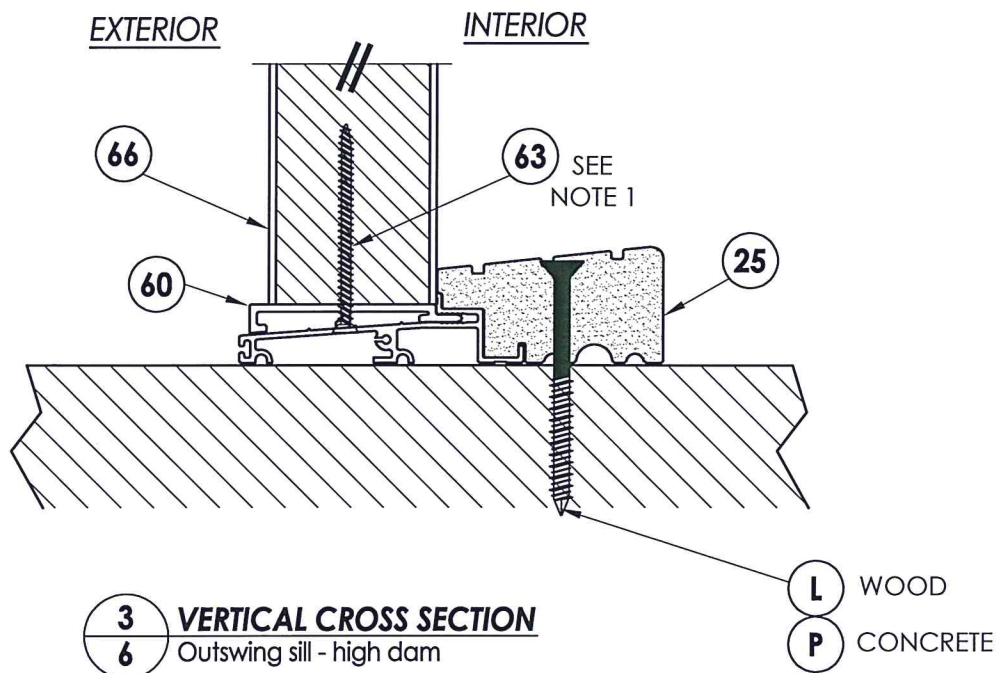
NO.	DATE	REVISIONS
3	2/12/20	UPDATE TO 2018 IBC/IRC
2	7/23/09	TDI PRODUCT EVALUATION UPDATE
1	6/28/06	REVISED LOCKSET NOMENCLATURE
		BY

DATE: 8/26/05
 SCALE: N.T.S.
 DWG. BY: EW
 CHK. BY: LFS
 DRAWING NO.: TX-594
 SHEET 5 OF 9



NOTE:

1. Screws thru head and jamb located 3" from each end and on center line.



Documents Prepared By: Lyndon F. Schmidt, P.E.
TEXAS P.E. #104123

RW BUILDING CONSULTANTS, INC.
P.O. Box 230 Valrico FL, 33595
Phone No.: 813.659.9197
TEXAS BOARD OF PROFESSIONAL ENGINEERS
CERTIFICATE OF REGISTRATION # F-11852

PRODUCT: TRINITY GLASS INT'L
PREMIUM LIPLITE FIBERGLASS

PART OR ASSEMBLY:
VERTICAL CROSS SECTIONS

NO.	DATE	REVISIONS
3	2/12/20	UPDATE TO 2018 IBC/IRC
2	7/23/09	TDI PRODUCT EVALUATION UPDATE
1	6/28/06	REVISED LOCKSET NOMENCLATURE
		BY

DATE: 8/26/05

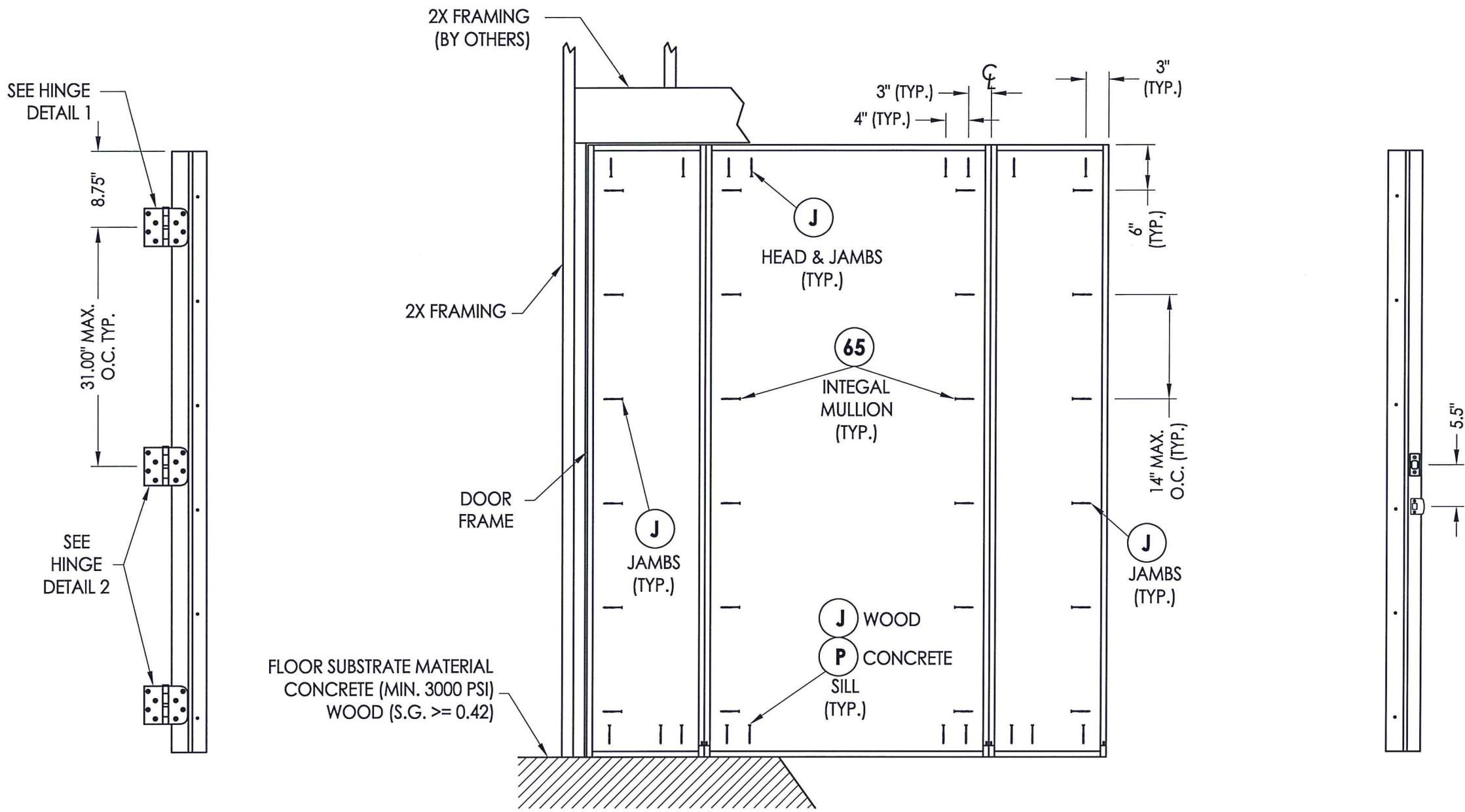
SCALE: N.T.S.

DWG. BY: EW

CHK. BY: LFS

DRAWING NO.:
TX-594

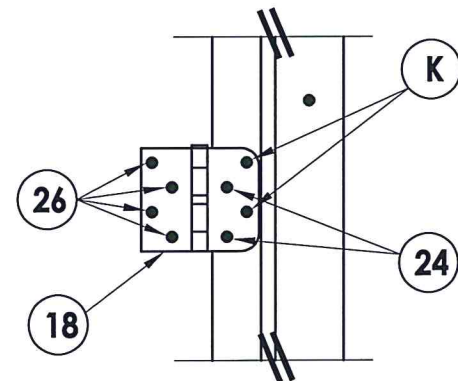
SHEET 6 OF 9



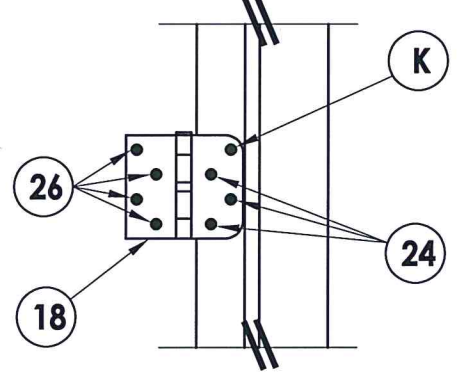
HINGE JAMB

FRAME ANCHORING
Stud construction

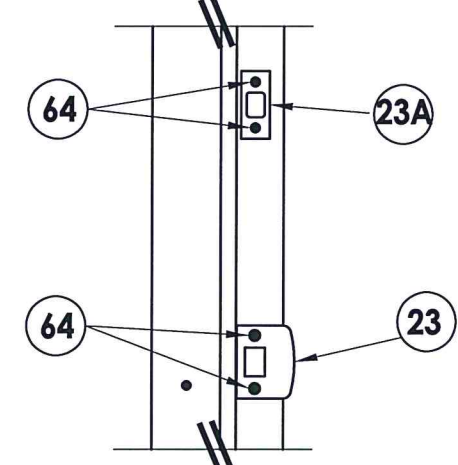
STRIKE JAMB



HINGE DETAIL 1



HINGE DETAIL 2



STRIKE PLATE DETAIL



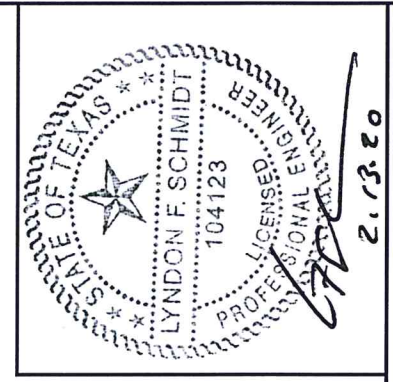
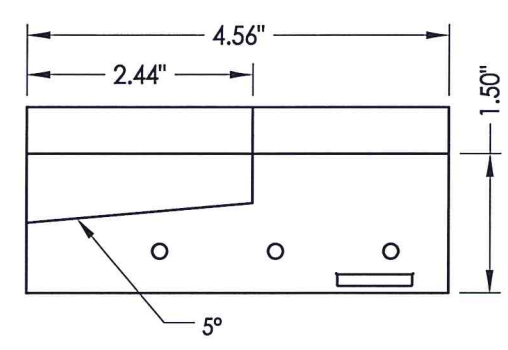
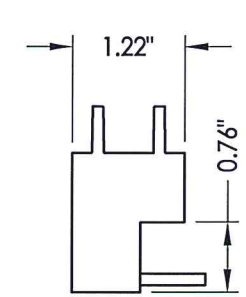
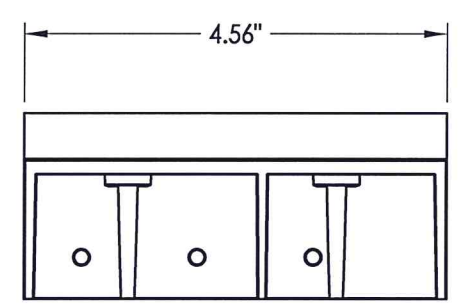
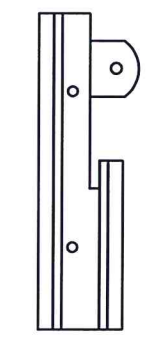
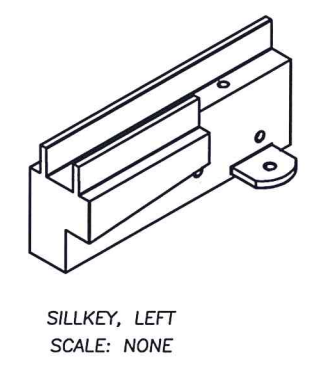
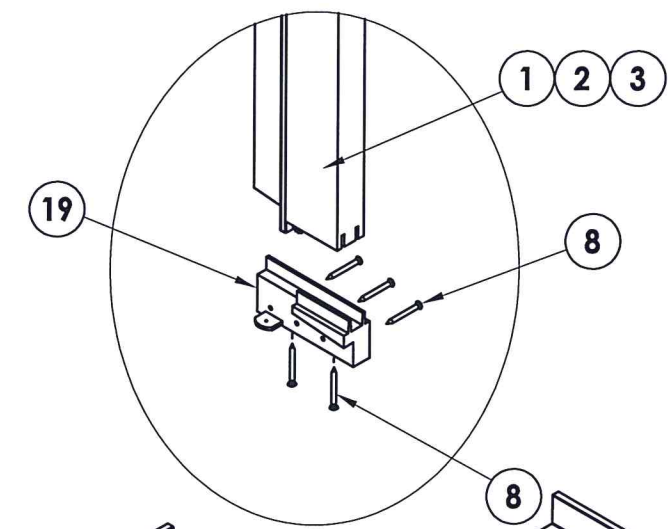
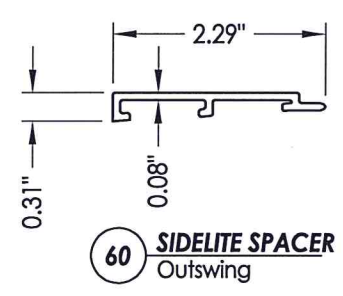
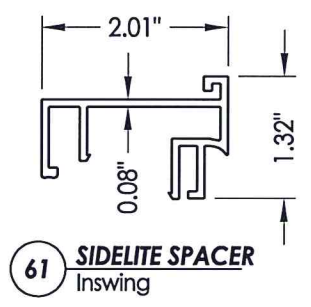
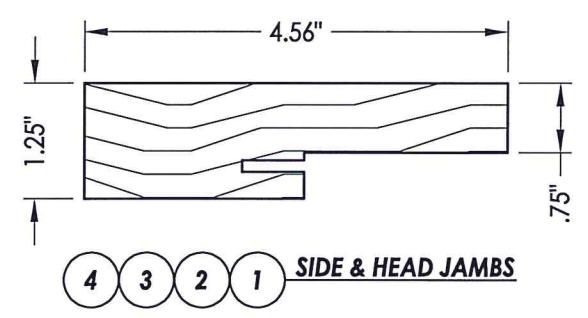
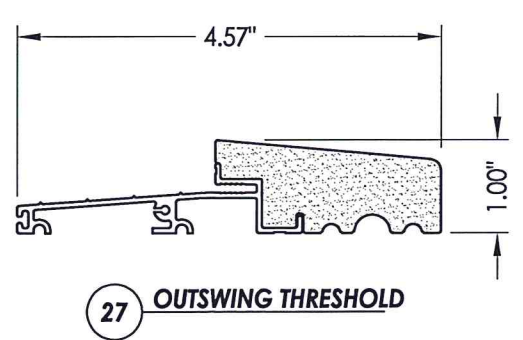
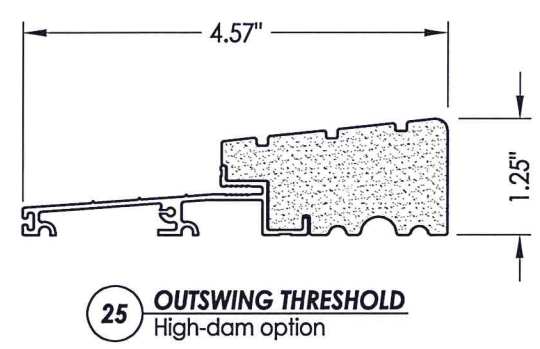
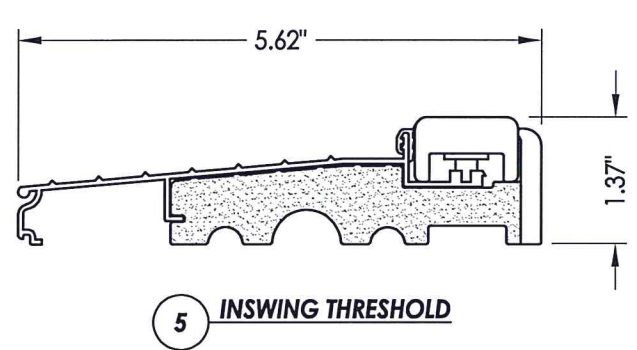
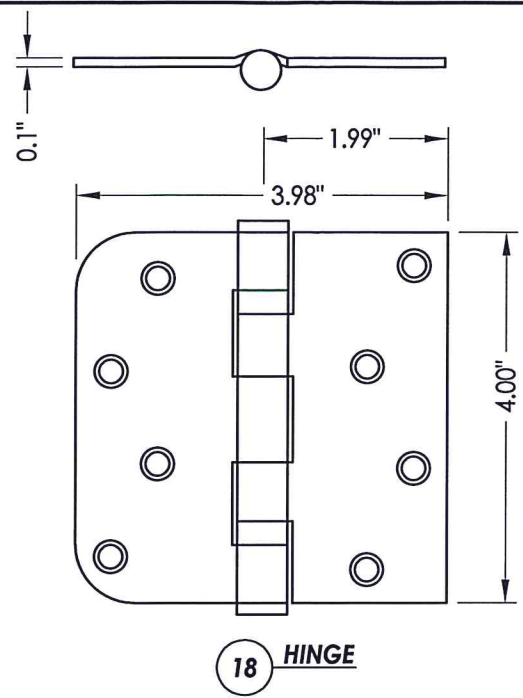
Documents Prepared By: Lyndon F. Schmidt, P.E.
TEXAS P.E. #104123

RW BUILDING CONSULTANTS, INC.
P.O. Box 230 Vairico FL. 33595
Phone No.: 813.659.9197
TEXAS BOARD OF PROFESSIONAL ENGINEERS
CERTIFICATE OF REGISTRATION # F-11852

PRODUCT: TRINITY GLASS INT'L
PREMIUM LIPLITE FIBERGLASS
PART OR ASSEMBLY: FRAME ANCHORING

NO.	DATE	REVISIONS
3	2/12/20	UPDATE TO 2018 IBC/IRC
2	7/23/09	TDI PRODUCT EVALUATION UPDATE
1	6/28/06	REVISED LOCKSET NOMENCLATURE

DATE: 8/26/05
SCALE: N.T.S.
DWG. BY: EW
CHK. BY: LFS
DRAWING NO.: TX-594
SHEET 7 OF 9



Documents Prepared By: Lyndon F. Schmidt, P.E.
TEXAS P.E. #104123

RW BUILDING CONSULTANTS, INC.
P.O. Box 230 Vairico FL, 33595
Phone No.: 813.659.9197

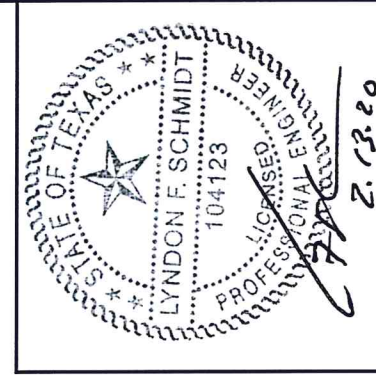
TEXAS BOARD OF PROFESSIONAL ENGINEERS
CERTIFICATE OF REGISTRATION # F-11852

PRODUCT: TRINITY GLASS INT'L
PREMIUM LIPLITE FIBERGLASS

PART OR ASSEMBLY: COMPONENTS

NO.	DATE	REVISIONS
3	2/12/20	UPDATE TO 2018 IBC/IRC
2	7/23/09	TDI PRODUCT EVALUATION UPDATE
1	6/28/06	REVISED LOCKSET NOMENCLATURE
		EW
		BY

DATE: 8/26/05
SCALE: N.T.S.
DWG. BY: EW
CHK. BY: LFS
DRAWING NO.: TX-594
SHEET 8 OF 9



Documents Prepared By: Lyndon F. Schmidt, P.E.
TEXAS P.E. #104123

RW BUILDING CONSULTANTS, INC.
P.O. Box 230 Valrico FL 33595
Phone No.: 813.659.9197

TEXAS BOARD OF PROFESSIONAL ENGINEERS
CERTIFICATE OF REGISTRATION # F-11852

BILL OF MATERIALS

ITEM	DESCRIPTION	MATERIAL	ITEM	DESCRIPTION	MATERIAL
A	2X HEADER FRAMING SG >= 0.42	WOOD	26	#9 X 1" PFH SCREW	STEEL
B	2X FRAMING SG >= 0.42	WOOD	27	OUTSWING THRESHOLD ALUMINUM W/ COMPOSITE SUBSTRATE	ALUM./ COMP.
G	MAX. 1/4" SHIM SPACE	WOOD	30	LATCH STILE - SG >= 0.42	LVL/PVC
J	#10 X 3" PFH WS	STEEL	31	LVL LOCK BLOCK	POPLAR
K	#9 X 2" PFH WS	STEEL	32	HINGE STILE - SG >= 0.42	LVL/PVC
P	3/16" X 2-3/4" ELCO OR ITW PFH CONCRETE SCREW	STEEL	33	TOP RAIL - POPLAR LVL & WPC COMBINATION	POPLAR/WPC
1	SIDELITE JAMB - FINGER-JOINT PINE - SG >= 0.42	WOOD	34	BOTTOM RAIL - POPLAR LVL & WPC COMBINATION	POPLAR/WPC
2	STRIKE JAMB - FINGER-JOINT PINE - SG >= 0.42	WOOD	39	FIBERGLASS SKIN 0.079" MIN. THICKNESS	FIBERGLASS
3	HINGE JAMB - FINGER-JOINT PINE - SG >= 0.42	WOOD	40	#8 X 1-1/8" SELF THREADING SCREW	STEEL
4	HEAD - FINGER-JOINT PINE - SG >= 0.42	WOOD	42	ALUMINUM & BUTYL SPACER SYSTEM	ALUM./BUTYL
5	INSWING THRESHOLD ALUMINUM W/ COMPOSITE SUBSTRATE	ALUMINUM	44	HOT MELT SEALANT / SILICONE	-
6	DOOR BOTTOM SWEEP	PVC	45	LITE FRAME	PC/ASA
7	DOOR PANEL - SEE DOOR PANEL DETAIL SHEET FOR CONSTRUCTION DETAILS	-	46	FOAM CORE	POLYURETHANE
8	#6 X 1-1/4" PFH DRYWALL SCREW	STEEL	60	SIDELITE SPACER - OUTSWING	PVC
12	WEATHER STRIP QEBD650 Q-LON	-	61	SIDELITE SPACER - INSWING	PVC
18	3.983" X 4.0" HINGE MIN 0.098" THICK	STEEL	62	QUARTER ROUND	WOOD
19	SILLKEY	PC/ASA	63	#8 X 2-1/4" PFH SCREW	STEEL
21	LOCK (SEE LOCK & DEADBOLT RATINGS CHART)	STEEL	64	#8 X 2" PFH SCREW	STEEL
22	DEADBOLT (SEE LOCK & DEADBOLT RATINGS CHART)	STEEL	65	#10 X 2" PFH SCREW	STEEL
23	STRIKE PLATE	STEEL	66	SIDELITE PANEL - SEE SIDELITE PANEL DETAIL SHEET FOR CONSTRUCTION DETAILS	-
23A	DEADBOLT PLATE	STEEL	73	LVL SIDELITE TOP RAIL (FULL LITE)	POPLAR
24	#9 X 5/8" PFH SCREW	STEEL	74	LVL SIDELITE BOTTOM RAIL (FULL LITE)	POPLAR
25	OUTSWING HIGH-DAM THRESHOLD ALUMINUM W/ COMPOSITE SUBSTRATE	ALUM./ COMP.	75	LVL SIDELITE STILE (FULL LITE)	POPLAR

CONCRETE ANCHOR NOTES:

- Concrete anchor locations at the corners may be adjusted to maintain the min. edge distance to mortar joints.
- Concrete anchor locations noted as "MAX. ON CENTER" must be adjusted to maintain the min. edge distance to mortar joints, additional concrete anchors may be required to ensure the "MAX. ON CENTER" dimension are not exceeded.
- Concrete anchor table:

ANCHOR TYPE	ANCHOR SIZE	MIN. EMBEDMENT	MIN. CLEARANCE TO MASONRY EDGE	MIN. CLEARANCE TO ADJACENT ANCHOR
ITW BUILDEX TAPCON®	1/4"	1-3/4"	2"	4"
ELCO ULTRACON®	1/4"	1-3/4"	1"	4"

WOOD SCREW INSTALLATION NOTES:

- Maintain a minimum 5/8" edge distance, 1" end distance, & 1" o.c. spacing of wood screws to prevent the splitting of wood.

PRODUCT: TRINITY GLASS INT'L PREMIUM LIPLITE FIBERGLASS
PART OR ASSEMBLY: BILL OF MATERIALS

NO.	DATE	REVISIONS
3	2/12/20	UPDATE TO 2018 IBC/IRC
2	7/23/09	TDI PRODUCT EVALUATION UPDATE
1	6/28/06	REVISED LOCKSET NOMENCLATURE

DATE: 8/26/05
SCALE: N.T.S.
DWG. BY: EW
CHK. BY: LFS
DRAWING NO.: TX-594
SHEET 9 OF 9