

**3'0 X 6'8**  
**FLUSH-GLAZED FIBERGLASS**  
**SINGLE DOOR WITH SIDELITE (CHS)**  
**IN SWING / OUT SWING**  
**"NON-IMPACT"**

**EVALUATED FOR USE IN THE STATE OF TEXAS**

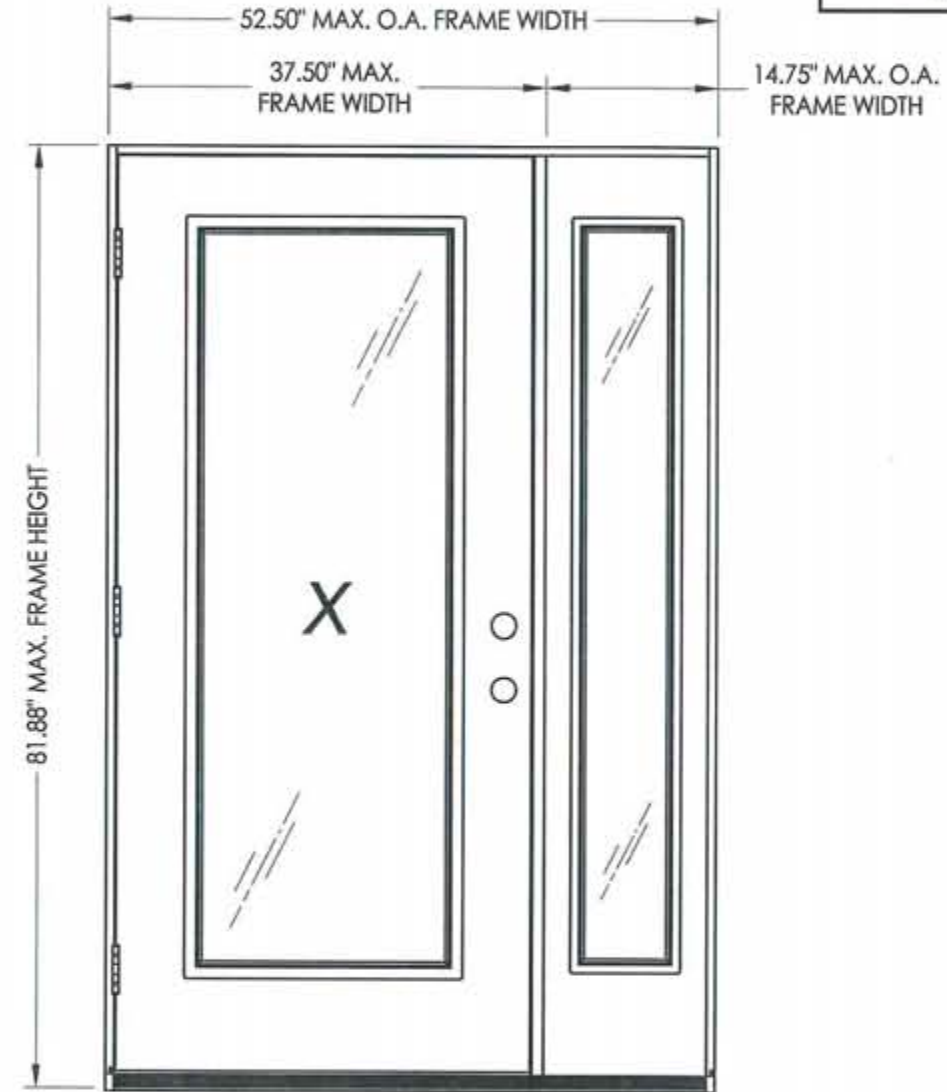
The Trinity Flush-Glazed Fiberglass Door with sidelite (chs) described herein complies with the 2006 International Residential Code (IRC), Sections R301 & R613 and the 2006 International Building Code (IBC), Sections 1405.12, 1609, 1714.5, 2403 and 2404 (including Texas revisions) subject to the following conditions:

1. Anchors shall be as listed and spaced as shown in the details. Anchor embedment to base material shall be beyond wall dressing or stucco.
2. When used in areas requiring wind-borne debris protection this product is required to be protected with an impact resistant covering that complies with Section R301.2.1.2 of the IRC and Section 1609.1.2 of the IBC.
3. Allowable design pressure requirements must be equal to or less than the design pressure rating shown in the design pressure chart, sheet 1 of this drawing.
4. Conditions not covered by this drawing are subject to further engineering analysis.

**SUPPORTING DOCUMENTS & EVIDENCE**

1. Testing per ASTM E330-02 as performed by Testing Evaluation Laboratories Inc. and reported in test report numbers TEL 06-0223-3 and TEL 08-01370020, signed by Wendell W. Haney, P.E.
2. Calculations (Anchoring and Glass load resistance report ASTM E1300-04) prepared by Lyndon F. Schmidt, P.E.
3. Certificate of Participation issued by the National Accreditation and Management Institute, Inc., certifying that Trinity Glass Int'l is manufacturing products within a Quality Assurance program.

TABLE OF CONTENTS	
SHEET #	DESCRIPTION
1	Typical elevations, design pressures & general notes
2	Door panel construction details & glazing details
3	Sidelite panel construction details & glazing details
4	Horizontal cross sections
5	Vertical cross sections
6	Vertical cross sections
7	Frame anchoring
8	Components
9	Bill of materials & components



**CONTINUOUS HEADER AND SILL**

SWING	MAX. FRAME DIMENSION	GLASS TYPE	DESIGN PRESSURE (PSF)	
			POSITIVE	NEGATIVE
IN SWING	52.50" x 81.88"	G1, G2 & G3	+60.0	-60.0
OUT SWING	52.50" x 80.75"		+60.0	-60.0

Refer to Table (sheet 4) for Passage Lock Rating Limitations



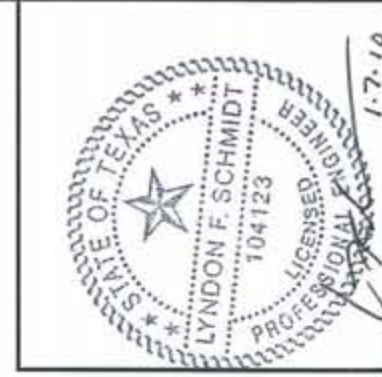
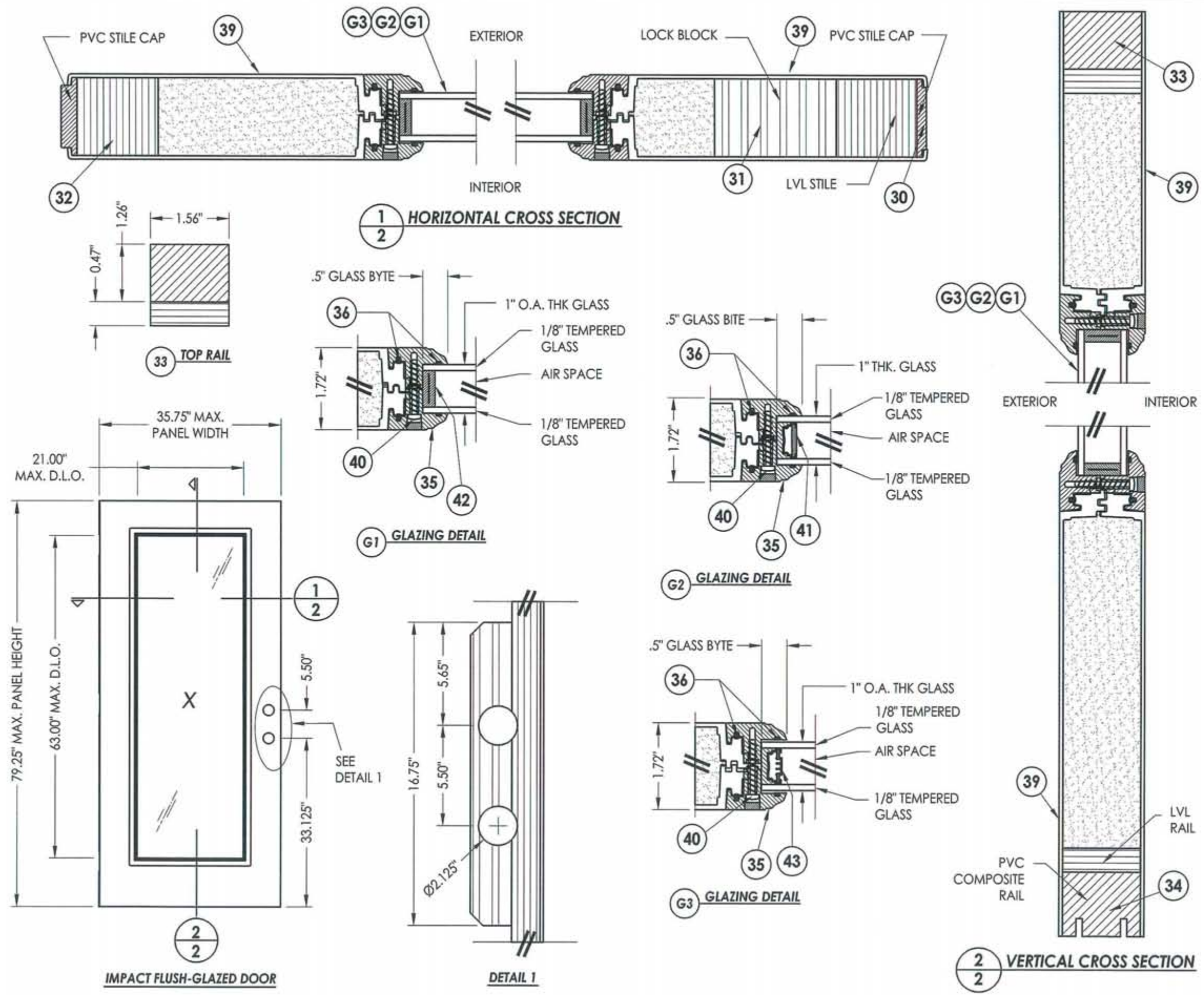
Documents Prepared By: Lyndon F. Schmidt, P.E.  
TEXAS P.E. #104123

**RW** BUILDING CONSULTANTS, INC.  
P.O. Box 230 Valrico FL, 33595  
Phone No.: 813.659.9197

TEXAS BOARD OF PROFESSIONAL ENGINEERS  
CERTIFICATE OF REGISTRATION # F-11852

PRODUCT: TRINITY GLASS INT'L 6'8 FLUSH-GLAZED		PART OR ASSEMBLY: TYPICAL ELEVATION, DESIGN PRESSURES & GENERAL NOTES	
NO.	DATE	BY	REVISIONS
2	7/27/09	AL	TDI PRODUCT EVALUATION UPDATE
1	6/28/06	EW	REVISED LOCKSET NOMENCLATURE
DATE: 8/29/05			
SCALE: N.T.S.			
DWG. BY: WH			
CHK. BY: LFS			
DRAWING NO.: TX-4034			
SHEET 1 OF 9			

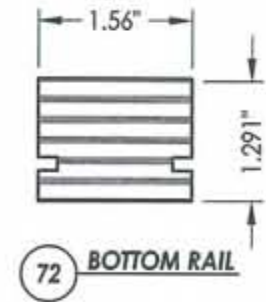
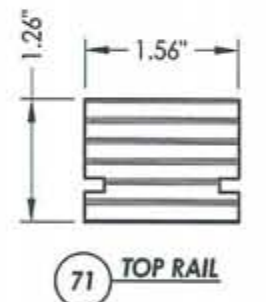
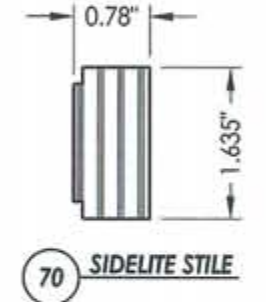
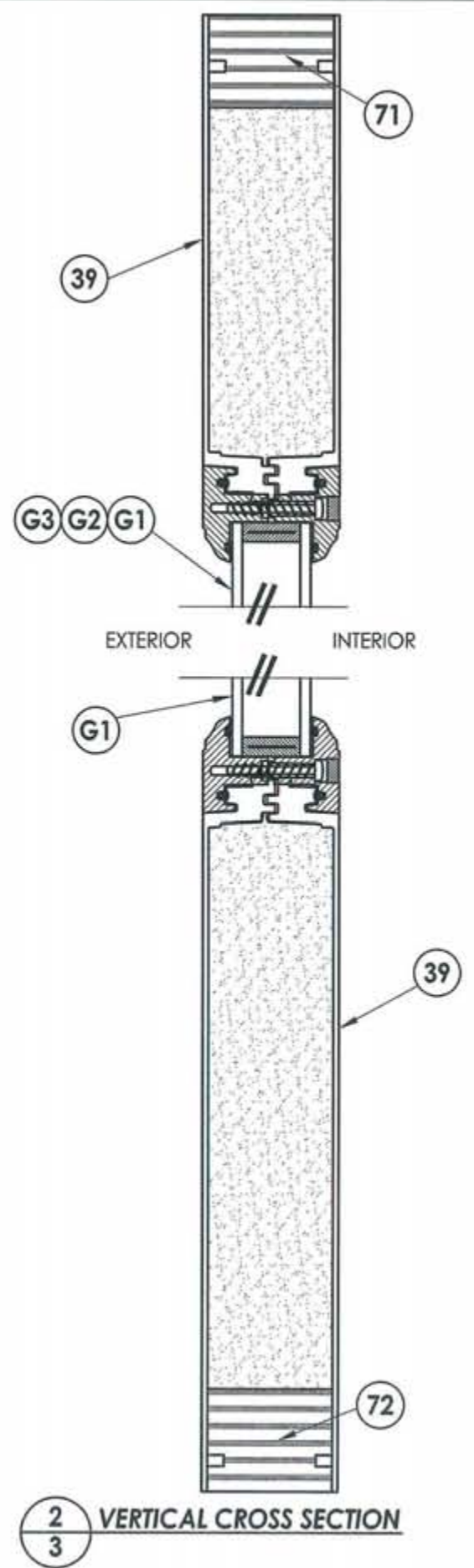
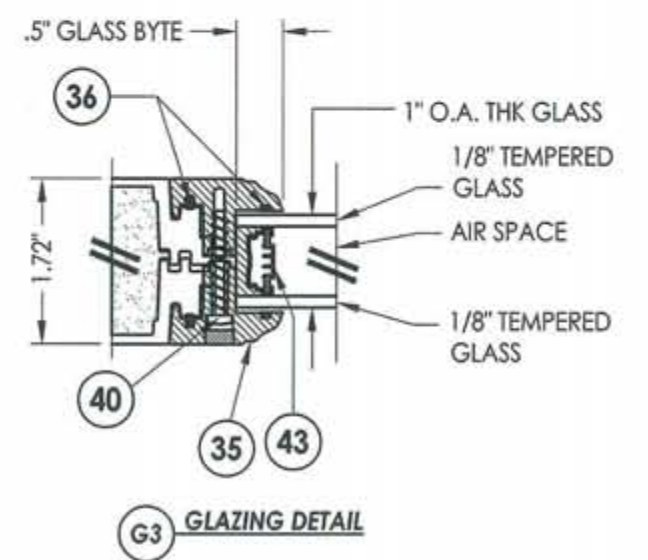
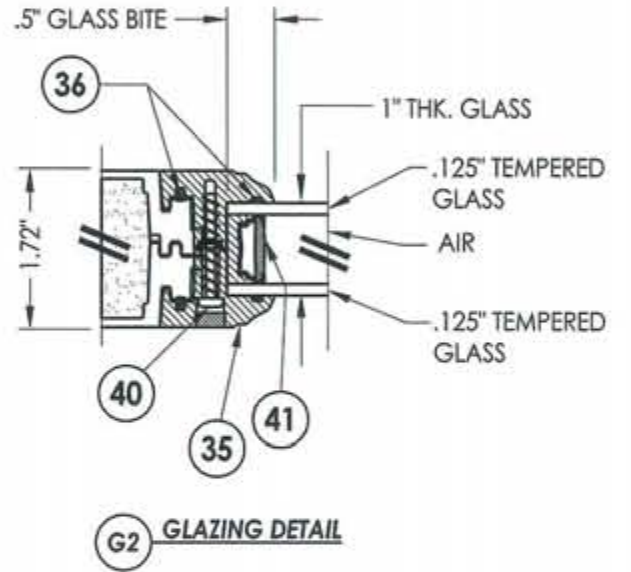
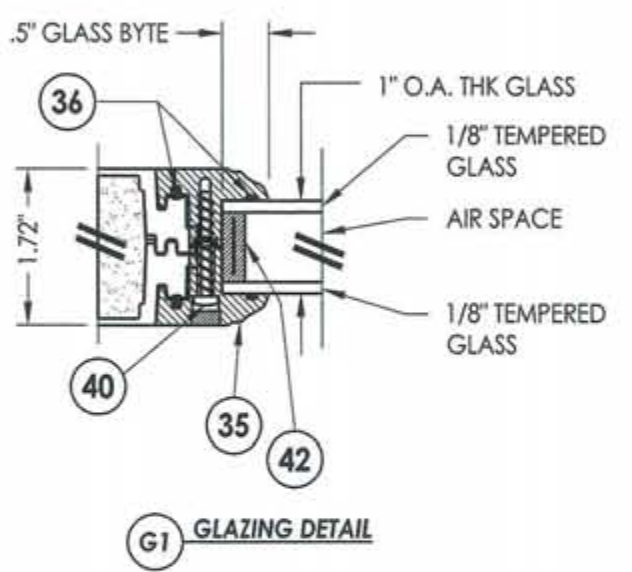
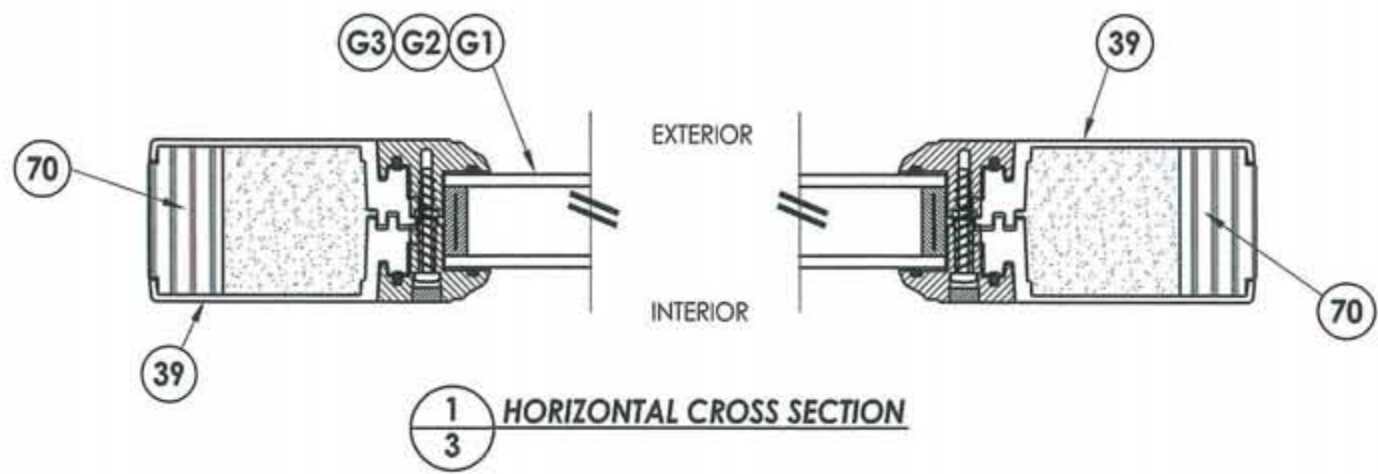
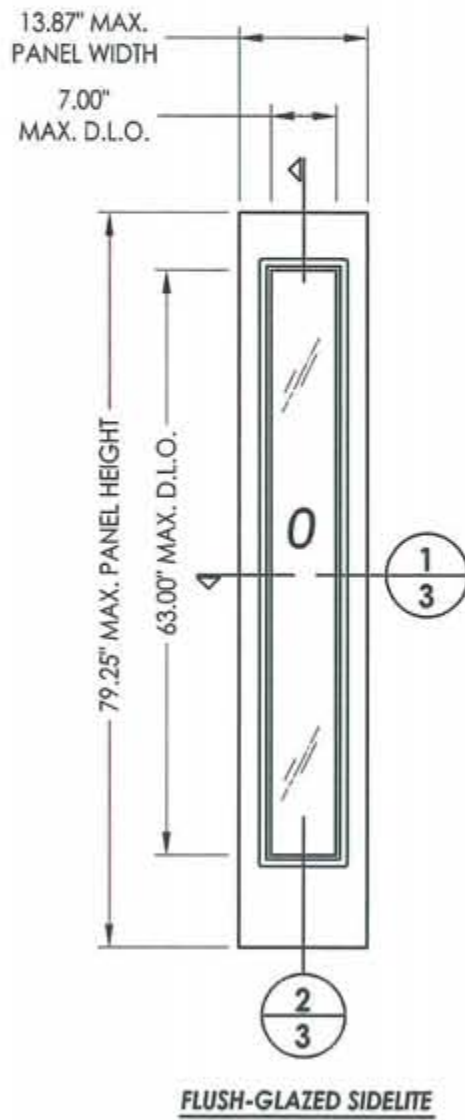
R:\A - Projects\Project Folders\Proj 801 - 900\p895\TX-4034\TX-4034.dwg, 2



Documents Prepared By: Lyndon F. Schmidt, P.E.  
 TEXAS P.E. #104123  
 RW BUILDING CONSULTANTS, INC.  
 P.O. Box 230 Valrico FL 33595  
 Phone No.: 813.659.9197  
 TEXAS BOARD OF PROFESSIONAL ENGINEERS  
 CERTIFICATE OF REGISTRATION # F-11852

PRODUCT:	TRINITY GLASS INT'L 6 8 FLUSH-GLAZED
PART OR ASSEMBLY:	DOOR PANEL CONSTRUCTION DETAILS & GLAZING DETAILS
DATE:	8/29/05
SCALE:	N.T.S.
DWG. BY:	WH
CHK. BY:	LFS
DRAWING NO.:	TX-4034
SHEET	2 of 9

© 2009 R.W. BUILDING CONSULTANTS INC.



Documents Prepared By: Lyndon F. Schmidt, P.E.  
TEXAS P.E. #104123

**RW** BUILDING CONSULTANTS, INC.  
P.O. Box 230 Valrico FL 33595  
Phone No.: 813.659.9197

TEXAS BOARD OF PROFESSIONAL ENGINEERS  
CERTIFICATE OF REGISTRATION # F-11852

PRODUCT: TRINITY GLASS INT'L  
6 8 FLUSH-GLAZED

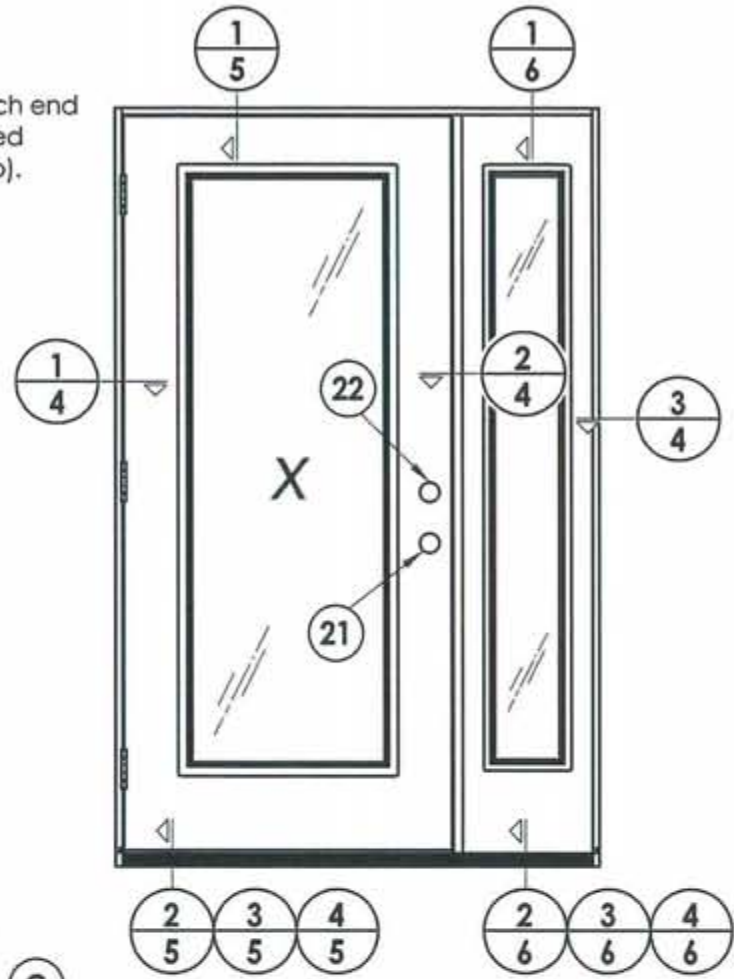
PART OR ASSEMBLY:  
SIDELITE PANEL CONSTRUCTION  
DETAILS & GLAZING DETAILS

REVISIONS	
NO.	DATE
2	7/27/09
1	6/28/06

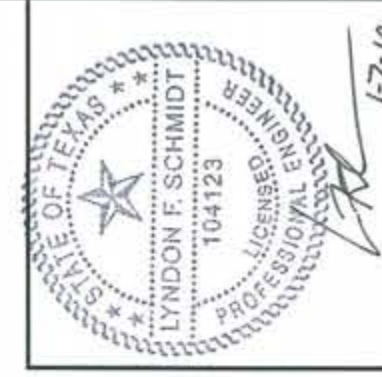
DATE: 8/29/05  
SCALE: N.T.S.  
DWG. BY: WH  
CHK. BY: LFS  
DRAWING NO.: TX-4034  
SHEET 3 of 9

**NOTE:**

- Sidelite ass'y fastener: 6" from each end and 4 more screws equally spaced between (6 screws total per jamb).



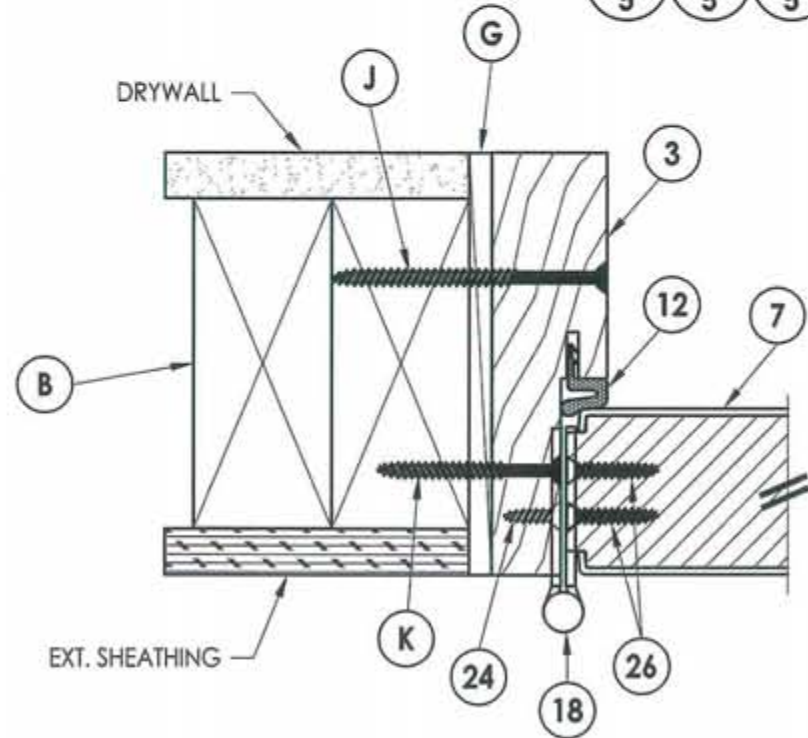
LOCK & DEADBOLT RATINGS CHART				
MANUFACTURER	MODEL	ITEM #	MAX. DESIGN PRESSURE (PSF)	
			POSITIVE	NEGATIVE
KWIKSET	LOCK: 740	21	+60.0	-60.0
	DEADBOLT: 780	22		
KWIKSET	LOCK: COMBO 660	21	+60.0	-60.0
	DEADBOLT: COMBO 660	22		
SCHLAGE	LOCK: MAX. SECURITY	21	+60.0	-60.0
	DEADBOLT: MAX. SECURITY	22		



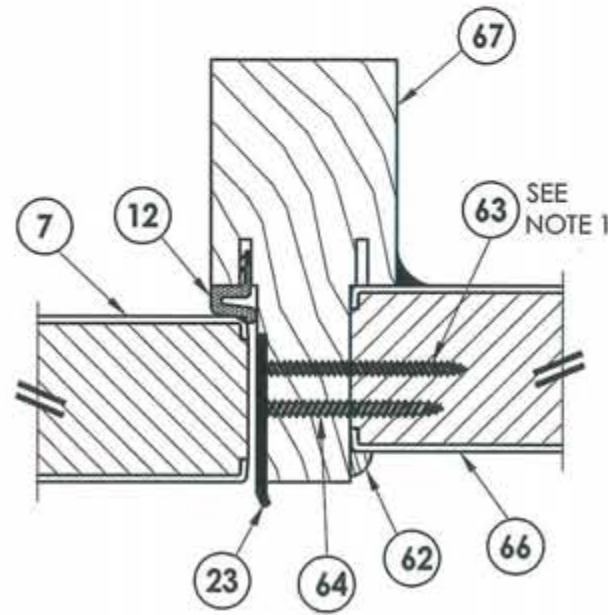
Documents Prepared By: Lyndon F. Schmidt, P.E.  
TEXAS P.E. #104123

**RW** BUILDING CONSULTANTS, INC.  
P.O. Box 230 Valrico FL 33595  
Phone No.: 813.659.9197

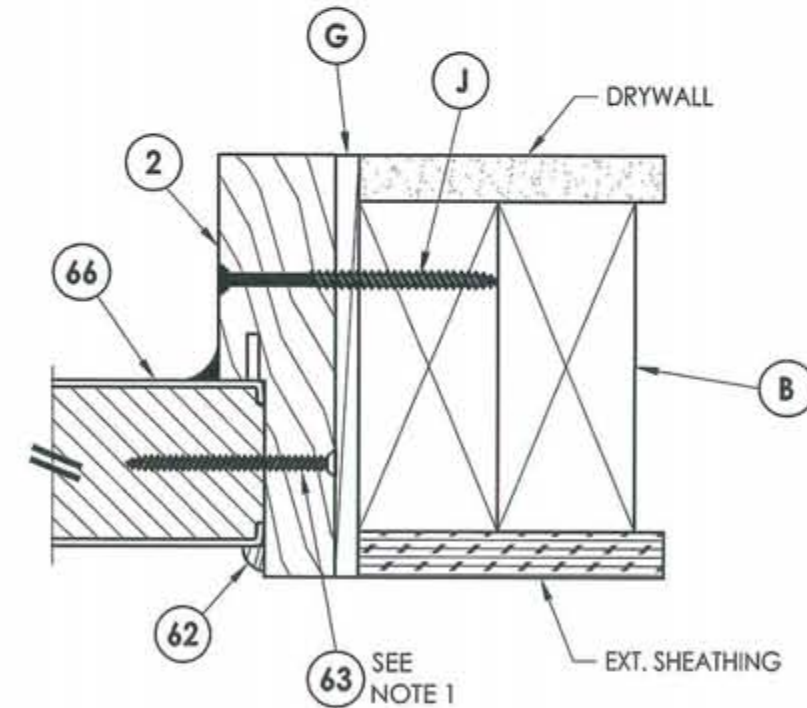
TEXAS BOARD OF PROFESSIONAL ENGINEERS  
CERTIFICATE OF REGISTRATION # F-11852



**1** HORIZONTAL CROSS SECTION  
**4** Outswing shown  
Inswing also approved

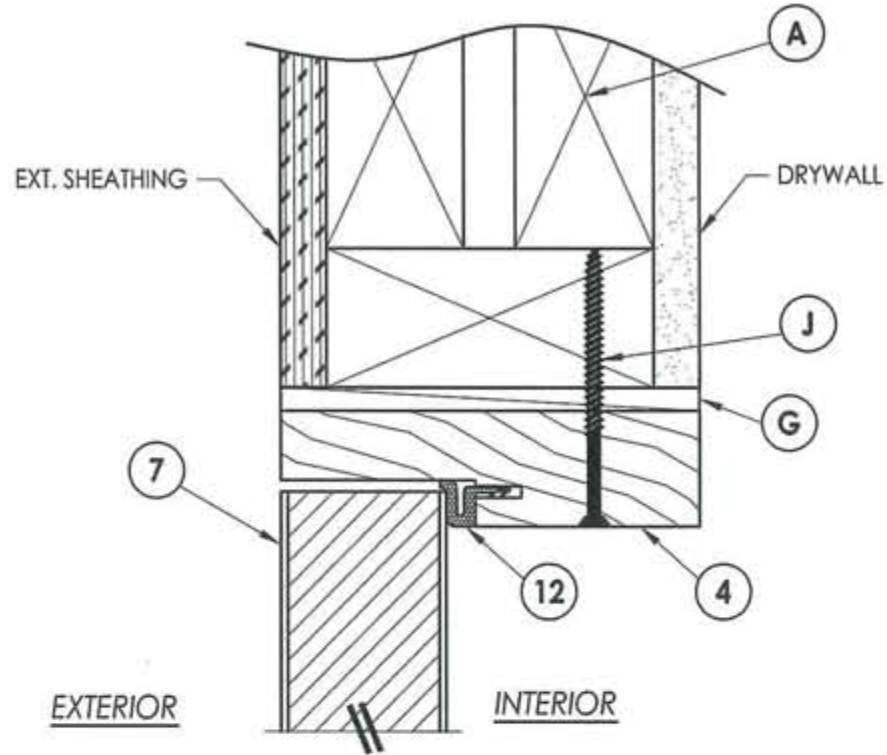


**2** HORIZONTAL CROSS SECTION  
**4** Outswing shown  
Inswing also approved

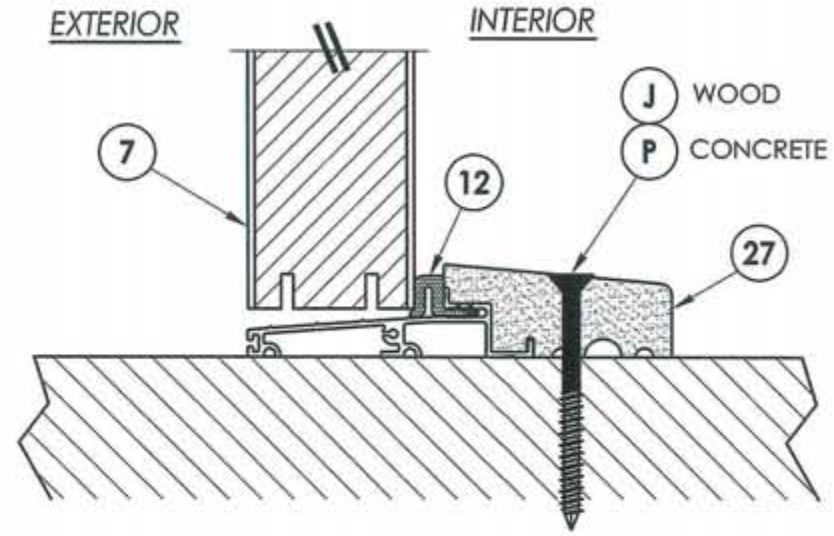


**3** HORIZONTAL CROSS SECTION  
**4** Outswing shown  
Inswing also approved

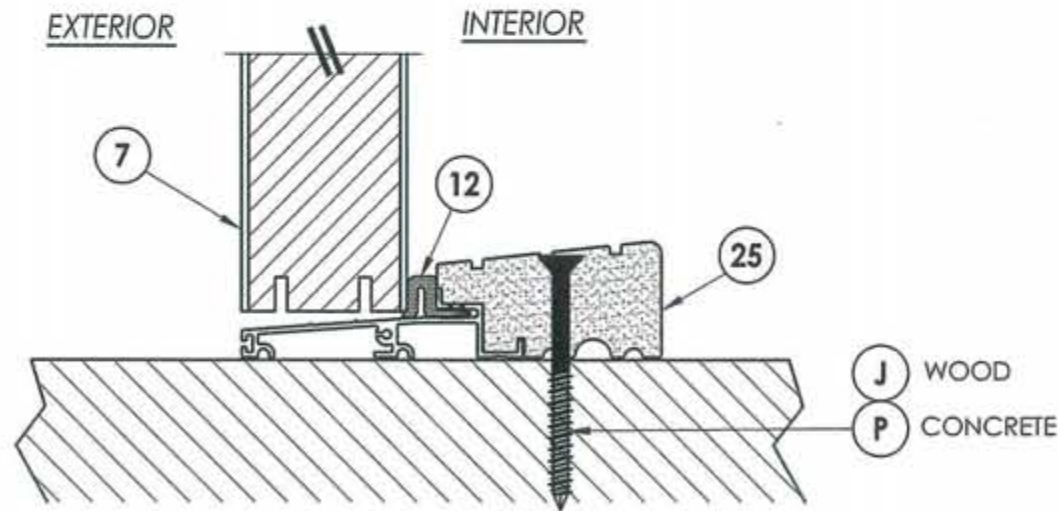
PRODUCT:	TRINITY GLASS INT'L 6 8 FLUSH-GLAZED
PART OR ASSEMBLY:	HORIZONTAL CROSS SECTIONS
DATE:	8/29/05
SCALE:	N.T.S.
DWG. BY:	WH
CHK. BY:	LFS
DRAWING NO.:	TX-4034
SHEET	4 OF 9
REVISIONS	NO. DATE
	2 7/27/09 TDI PRODUCT EVALUATION UPDATE
	1 6/28/06 REVISED LOCKSET NOMENCLATURE
	AL EW BY



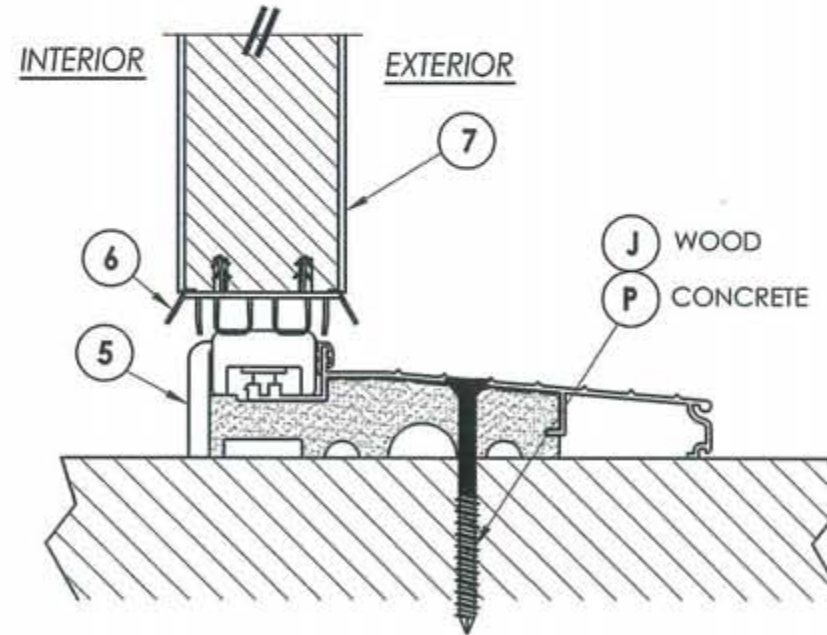
**1 VERTICAL CROSS SECTION**  
**5** Outswing shown  
 Inswing also approved



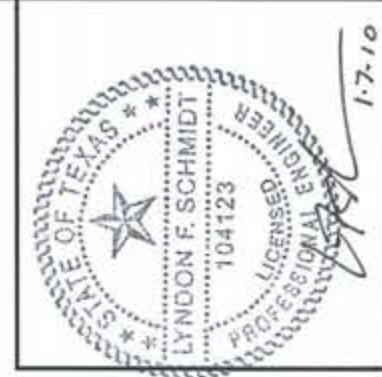
**2 VERTICAL CROSS SECTION**  
**5** Outswing configuration



**3 VERTICAL CROSS SECTION**  
**5** Outswing configuration



**4 VERTICAL CROSS SECTION**  
**5** Inswing configuration

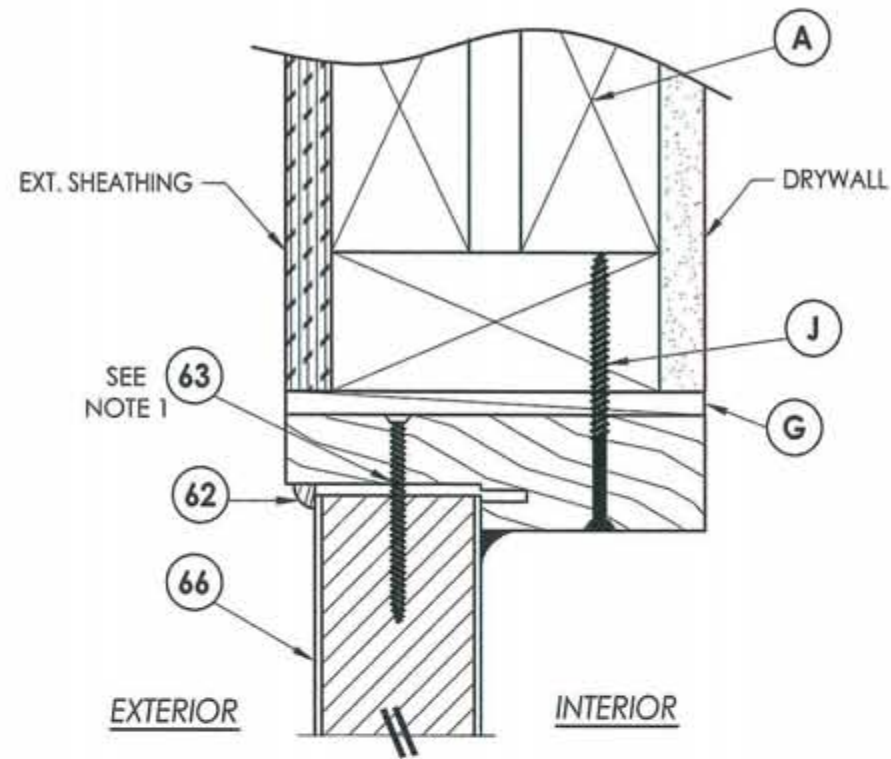


Documents Prepared By: Lyndon F. Schmidt, P.E.  
 TEXAS P.E. #104123

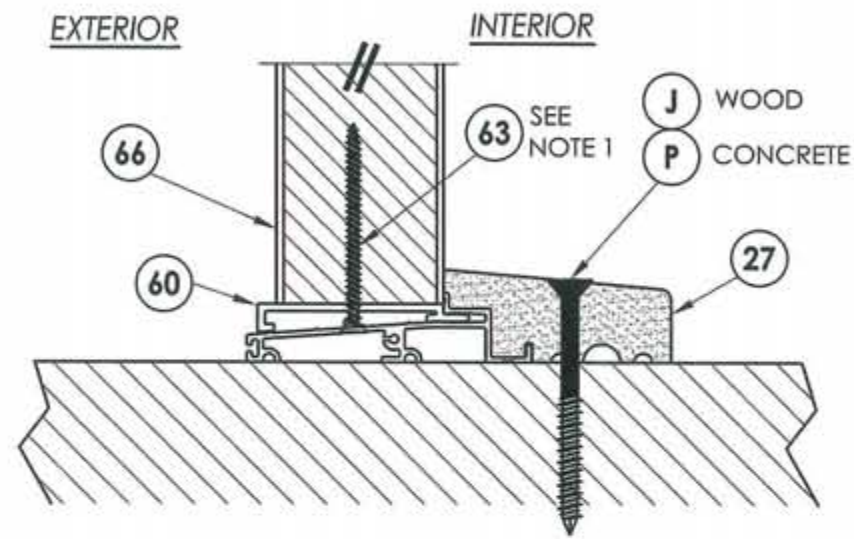
**RW** BUILDING CONSULTANTS, INC.  
 P.O. Box 230 Vairico FL 33595  
 Phone No.: 813.659.9197

TEXAS BOARD OF PROFESSIONAL ENGINEERS  
 CERTIFICATE OF REGISTRATION # F-11852

PRODUCT:		TRINITY GLASS INT'L 6 8 FLUSH-GLAZED		
PART OR ASSEMBLY:		VERTICAL CROSS SECTIONS		
		AL	EW	BY
		7/27/09	6/28/06	
		2	1	
		NO. DATE		
		REVISIONS		
DATE:		8/29/05		
SCALE:		N.T.S.		
DWG. BY:		WH		
CHK. BY:		LFS		
DRAWING NO.:		TX-4034		
SHEET		5 of 9		



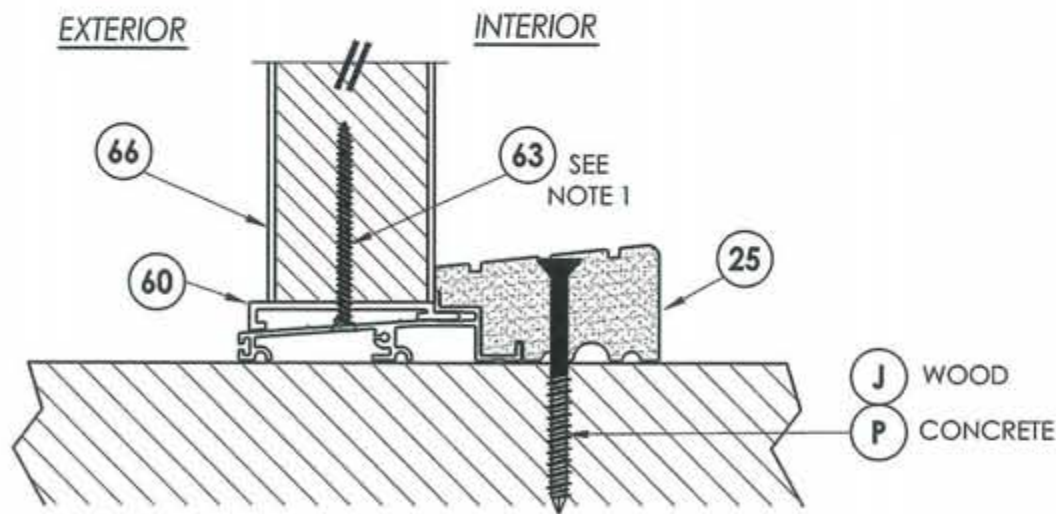
**1 VERTICAL CROSS SECTION**  
 6 Outswing shown  
 Inswing also approved



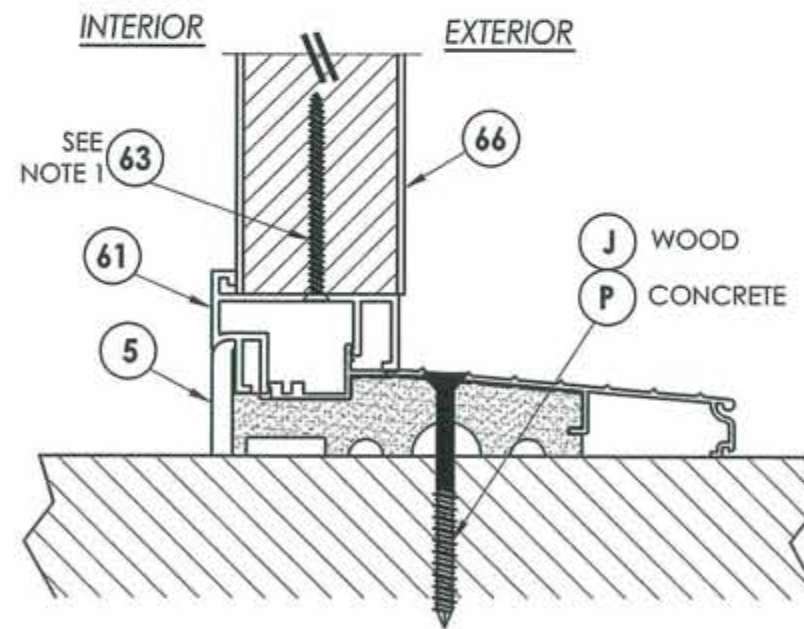
**2 VERTICAL CROSS SECTION**  
 6 Outswing configuration

**NOTE:**

- Screws thru head and sill jamb located 3" from each end and on center line.



**3 VERTICAL CROSS SECTION**  
 6 Outswing configuration

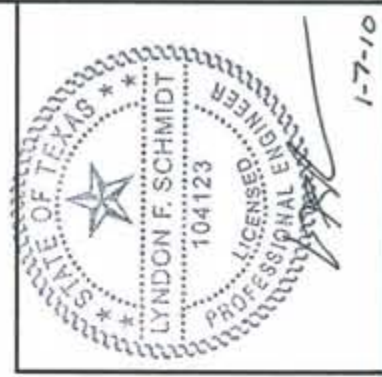


**4 VERTICAL CROSS SECTION**  
 6 Inswing configuration



Documents Prepared By: Lyndon F. Schmidt, P.E.  
 TEXAS P.E. #104123  
 RW BUILDING CONSULTANTS, INC.  
 P.O. Box 230 Valrico FL 33595  
 Phone No.: 813.659.9197  
 TEXAS BOARD OF PROFESSIONAL ENGINEERS  
 CERTIFICATE OF REGISTRATION # F-11852

PRODUCT:		TRINITY GLASS INT'L 6'8" FLUSH-GLAZED	
PART OR ASSEMBLY:		VERTICAL CROSS SECTIONS	
NO.	DATE	BY	REVISIONS
2	7/27/09	AL	TDI PRODUCT EVALUATION UPDATE
1	6/28/06	EW	REVISED LOCKSET NOMENCLATURE
DATE: 8/29/05			
SCALE: N.T.S.			
DWG. BY: WH			
CHK. BY: LFS			
DRAWING NO.: TX-4034			
SHEET 6 OF 9			



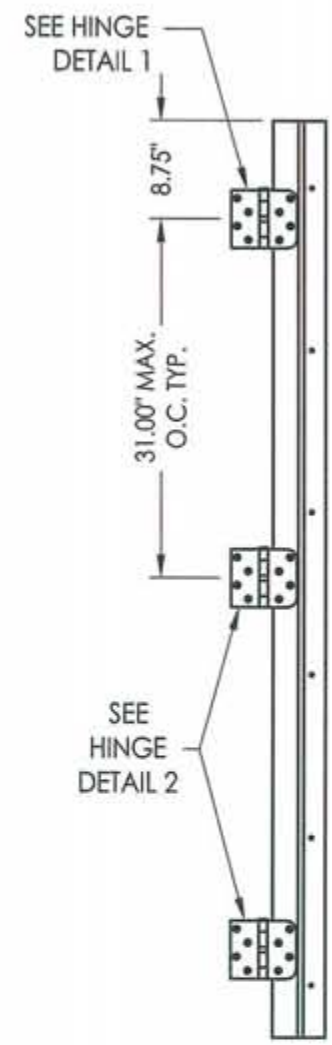
1-7-10

Documents Prepared By: Lyndon F. Schmidt, P.E.  
TEXAS P.E. #104123

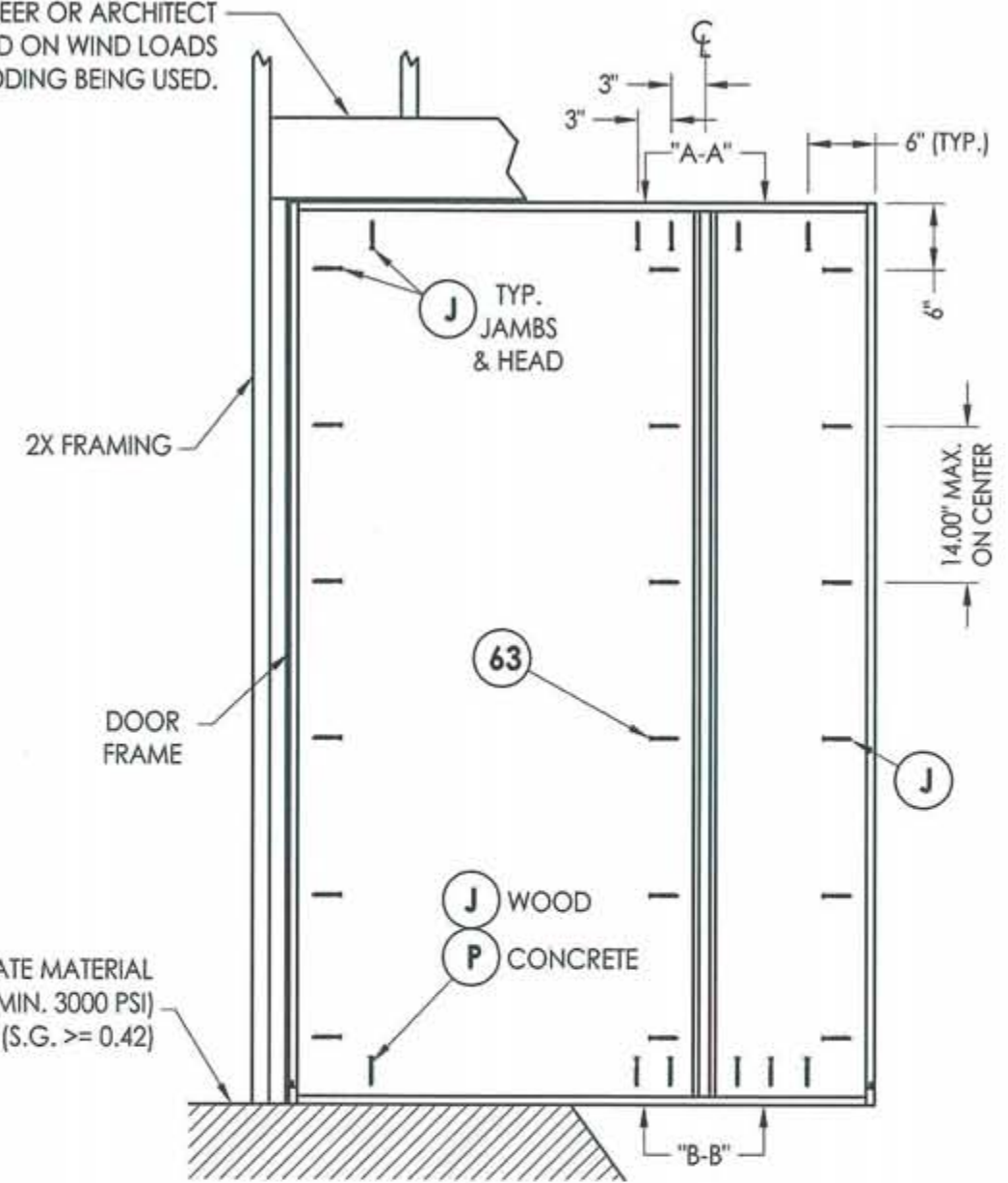
**RW** BUILDING CONSULTANTS, INC.  
P.O. Box 230 Valrico FL 33595  
Phone No.: 813.659.9197

TEXAS BOARD OF PROFESSIONAL ENGINEERS  
CERTIFICATE OF REGISTRATION # F-11852

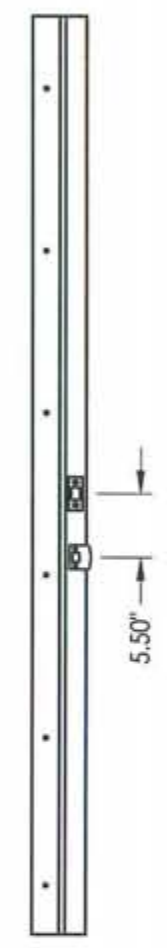
2X FRAMING TO BE DESIGNED BY THE ENGINEER OR ARCHITECT OF RECORD BASED ON WIND LOADS AND THE CLADDING BEING USED.



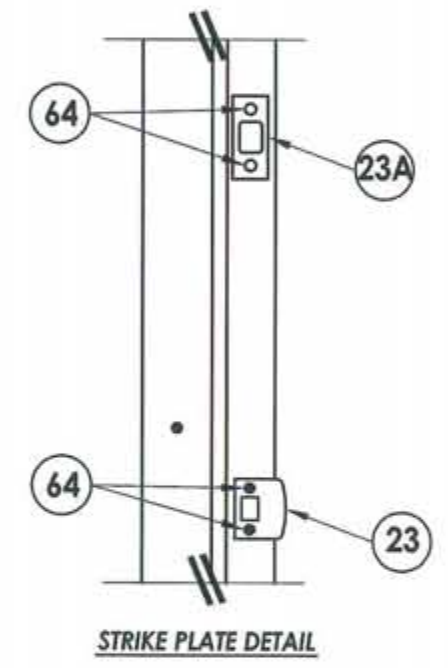
HINGE JAMB



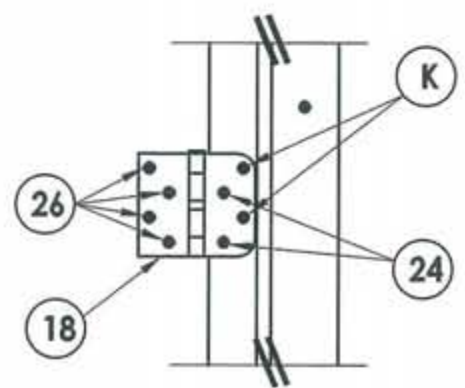
FRAME ANCHORING  
Stud construction



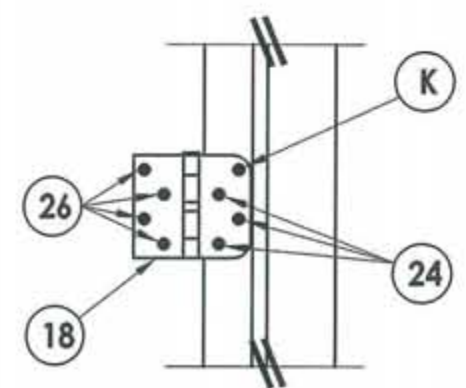
STRIKE JAMB



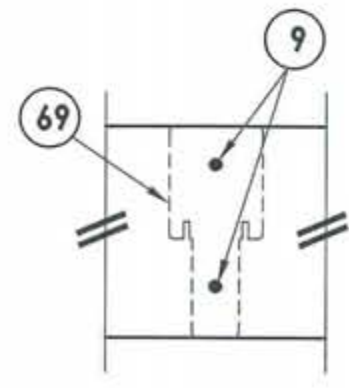
STRIKE PLATE DETAIL



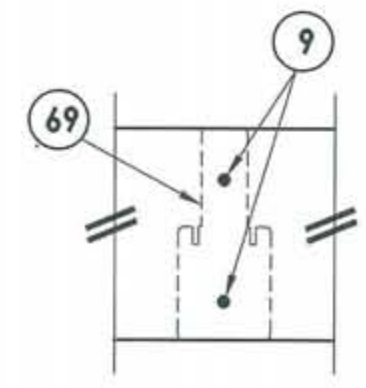
HINGE DETAIL 1



HINGE DETAIL 2



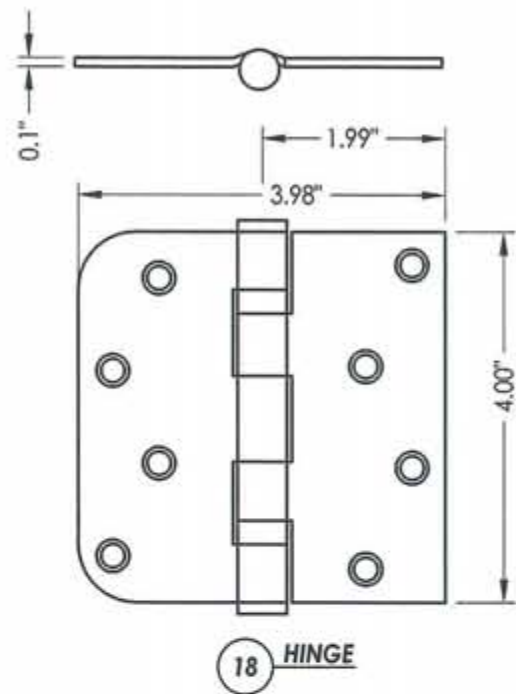
VIEW A-A



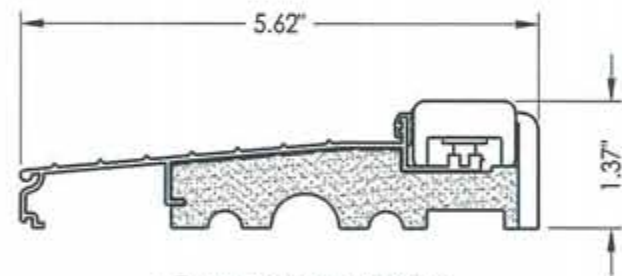
VIEW B-B

PRODUCT:		TRINITY GLASS INT'L 6 8 FLUSH-GLAZED	
PART OR ASSEMBLY:		FRAME ANCHORING	
NO.	DATE	REVISIONS	
2	7/27/09	TDI PRODUCT EVALUATION UPDATE	AL
1	6/28/06	REVISED LOCKSET NOMENCLATURE	EW

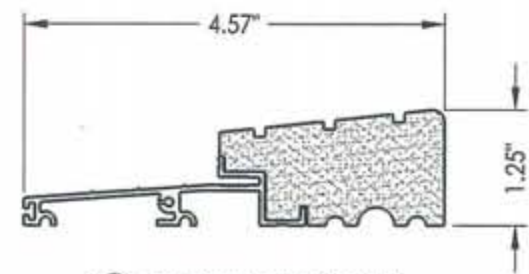
DATE: 8/29/05  
SCALE: N.T.S.  
DWG. BY: WH  
CHK. BY: LFS  
DRAWING NO.: TX-4034  
SHEET 7 of 9



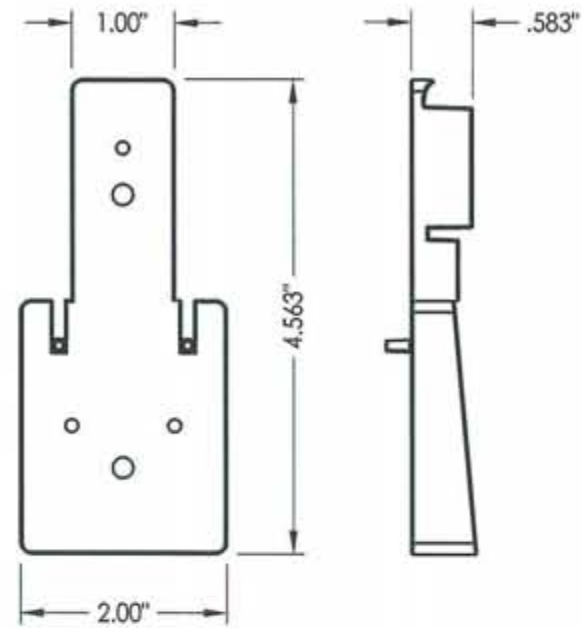
18 HINGE



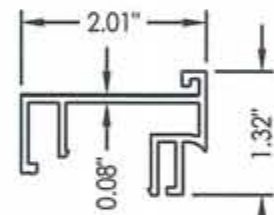
5 INSWING THRESHOLD



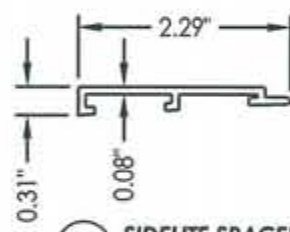
25 OUTSWING THRESHOLD  
High-dam option



69 MULLION BASE KIT  
Optional



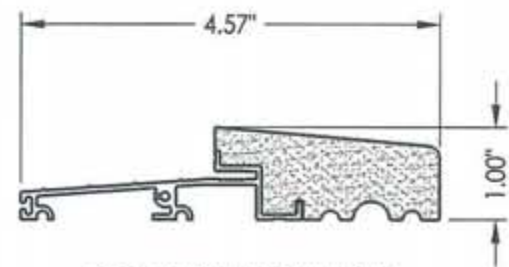
61 SIDELITE SPACER  
Inswing



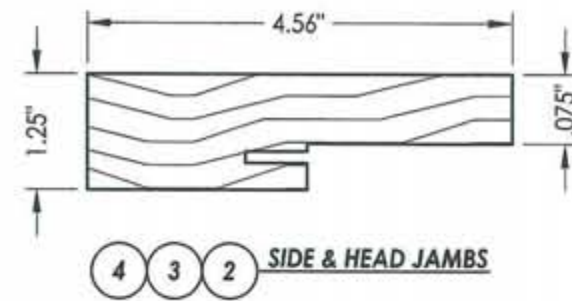
60 SIDELITE SPACER  
Outswing



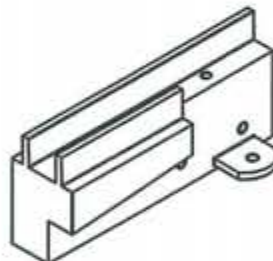
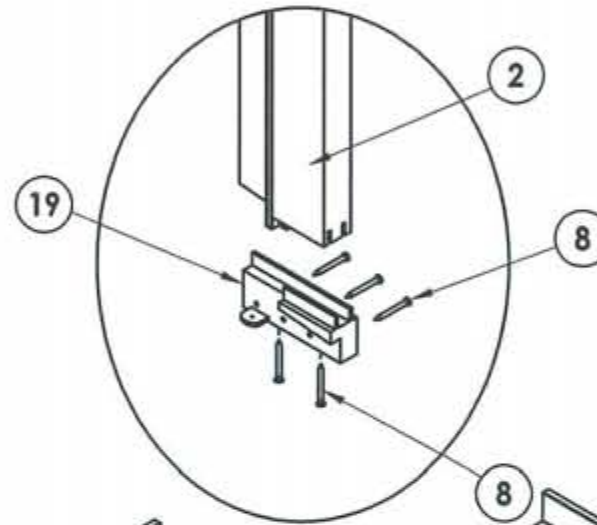
6 DOOR BOTTOM SWEEP



27 OUTSWING THRESHOLD



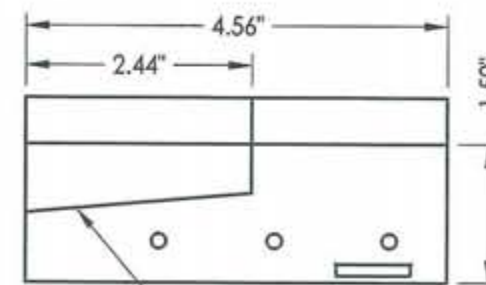
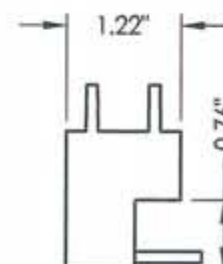
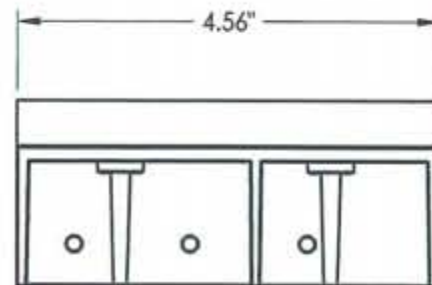
4 3 2 SIDE & HEAD JAMBS



SILLKEY, LEFT  
SCALE: NONE



SILLKEY, RIGHT  
SCALE: NONE



19 SILLKEY DETAILS  
Optional



Documents Prepared By: Lyndon F. Schmidt, P.E.  
TEXAS P.E. #104123

**RW** BUILDING CONSULTANTS, INC.  
P.O. Box 230 Vairco FL 33595  
Phone No.: 813.659.9197

TEXAS BOARD OF PROFESSIONAL ENGINEERS  
CERTIFICATE OF REGISTRATION # F-11852

PRODUCT:		TRINITY GLASS INT'L 6'8 FLUSH-GLAZED	
PART OR ASSEMBLY:		COMPONENTS	
NO.	DATE	REVISIONS	BY
2	7/27/09	TDI PRODUCT EVALUATION UPDATE	AL
1	6/28/06	REVISED LOCKSET NOMENCLATURE	EW

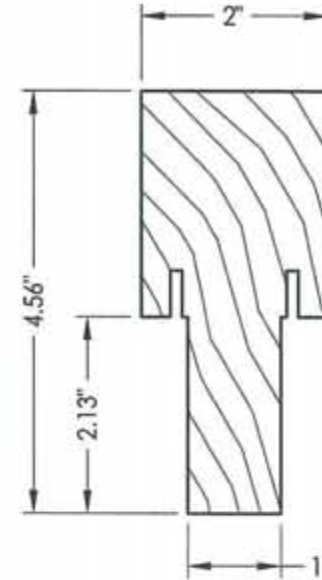
DATE: 8/29/05  
SCALE: N.T.S.  
DWG. BY: WH  
CHK. BY: LFS  
DRAWING NO.: TX-4034  
SHEET 8 of 9



**CONCRETE ANCHOR NOTES:**

1. Substitution of equal concrete anchors from a different supplier may have different edge distance and center distance requirements.
2. Concrete anchor locations at the corners may be adjusted to maintain the min. edge distance to mortar joints. If concrete anchor locations noted as "MAX. ON CENTER" must be adjusted to maintain the min. edge distance to mortar joints, additional concrete anchors may be required to ensure the "MAX. ON CENTER" dimensions are not exceeded.
3. Concrete anchor table:

ANCHOR TYPE	ANCHOR SIZE	MIN. EMBEDMENT	MIN. CLEARANCE TO MASONRY EDGE	MIN. CLEARANCE TO ADJACENT ANCHOR
ITW	3/16"	1-3/4"	2-5/8"	2-1/4"
ELCO	3/16"	1-3/4"	1"	3"



67 INTEGRAL MULLION



Documents Prepared By: Lyndon F. Schmidt, P.E.  
TEXAS P.E. #104123

**RW** BUILDING CONSULTANTS, INC.  
P.O. Box 230 Vairico FL 33595  
Phone No.: 813.659.9197

TEXAS BOARD OF PROFESSIONAL ENGINEERS  
CERTIFICATE OF REGISTRATION # F-11852

**BILL OF MATERIALS**

ITEM	DESCRIPTION	MATERIAL	ITEM	DESCRIPTION	MATERIAL
A	2X HEADER FRAMING SG >= 0.42	WOOD	27	OUTSWING THRESHOLD ALUMINUM W/ COMPOSITE SUBSTRATE	ALUM./ COMP.
B	2X FRAMING SG >= 0.42	WOOD	30	LATCH STILE - SG >= 0.42	LVL/PVC
G	MAX. 1/4" SHIM SPACE	WOOD	31	LVL LOCK BLOCK	POPLAR
J	#10 X 3" PFH WS	STEEL	32	HINGE STILE - SG >= 0.42	LVL/PVC
K	#9 X 2" PFH WS	STEEL	33	TOP RAIL - POPLAR LVL & WPC COMBINATION	POPLAR/WPC
P	3/16" X 2-3/4" ELCO OR ITW PFH CONCRETE SCREW	STEEL	34	BOTTOM RAIL - POPLAR LVL & WPC COMBINATION	POPLAR/WPC
2	STRIKE JAMB - FINGER-JOINT PINE - SG >= 0.42	WOOD	35	LITE FRAME	PC/ASA
3	HINGE JAMB - FINGER-JOINT PINE - SG >= 0.42	WOOD	36	GLAZING COMPOUND	SILICONE
4	HEAD - FINGER-JOINT PINE - SG >= 0.42	WOOD	39	FIBERGLASS SKIN 0.079" MIN. THICKNESS (Fy = 5,203 PSI MIN.)	FIBERGLASS
5	INSWING THRESHOLD ALUMINUM W/ COMPOSITE SUBSTRATE	ALUMINUM	40	#8 X 1-1/8" SELF THREADING SCREW	STEEL
6	DOOR BOTTOM SWEEP	PVC	41	POLYPROPYLENE & PVC COMBINATION GLAZING SPACER	POLY.
7	DOOR PANEL - SEE DOOR PANEL DETAIL SHEET FOR CONSTRUCTION DETAILS	-	42	ALUMINUM & BUTYL SPACER SYSTEM	ALUM./BUTYL
8	#6 X 1-1/4 PFH DRYWALL SCREW	STEEL	43	PVC & ALUMINUM SPACER SYSTEM	PVC/ ALUM.
9	#9 X 2-1/4" PFH WOOD SCREW	STEEL	60	SIDELITE SPACER - OUTSWING	PVC
12	WEATHER STRIP QEBD650 Q-LON	-	61	SIDELITE SPACER - INSWING	PVC
18	3.983" X 4.0" HINGE MIN 0.098" THICK	STEEL	62	QUARTER ROUND	WOOD
19	SILLKEY	PC/ASA	63	#8 X 2-1/4" PFH SCREW	STEEL
21	LOCK (SEE LOCK & DEADBOLT RATINGS CHART)	STEEL	64	#8 X 2" PFH SCREW	STEEL
22	DEADBOLT (SEE LOCK & DEADBOLT RATINGS CHART)	STEEL	66	SIDELITE PANEL - SEE SIDELITE PANEL DETAIL SHEET FOR CONSTRUCTION DETAILS	-
23	STRIKE PLATE	STEEL	67	INTEGRAL MULLION - FINGER JOINT PINE (SG >= 0.42)	WOOD
23A	DEADBOLT PLATE	STEEL	69	MULLION BASE KIT	PC/ASA
24	#9 X 5/8" PFH WS	STEEL	70	LVL SIDELITE STILE	POPLAR
25	OUTSWING HIGH-DAM THRESHOLD ALUMINUM W/ COMPOSITE SUBSTRATE	ALUM./ COMP.	71	LVL SIDELITE TOP RAIL	POPLAR
26	#9 X 1" PFH WS	STEEL	72	LVL SIDELITE BOTTOM RAIL	POPLAR

PRODUCT: TRINITY GLASS INT'L  
6"8 FLUSH-GLAZED

PART OR ASSEMBLY: BILL OF MATERIALS & COMPONENTS

NO.	DATE	REVISIONS
2	7/27/09	TDI PRODUCT EVALUATION UPDATE
1	6/28/06	REVISED LOCKSET NOMENCLATURE

DATE: 8/29/05  
SCALE: N.T.S.  
DWG. BY: WH  
CHK. BY: LFS  
DRAWING NO.: TX-4034  
SHEET 9 OF 9