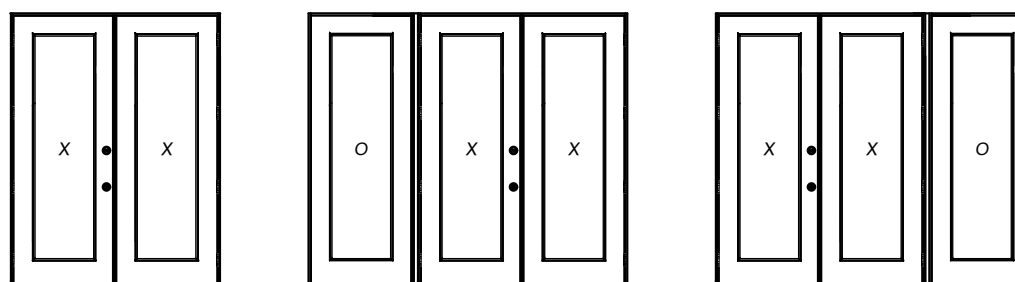
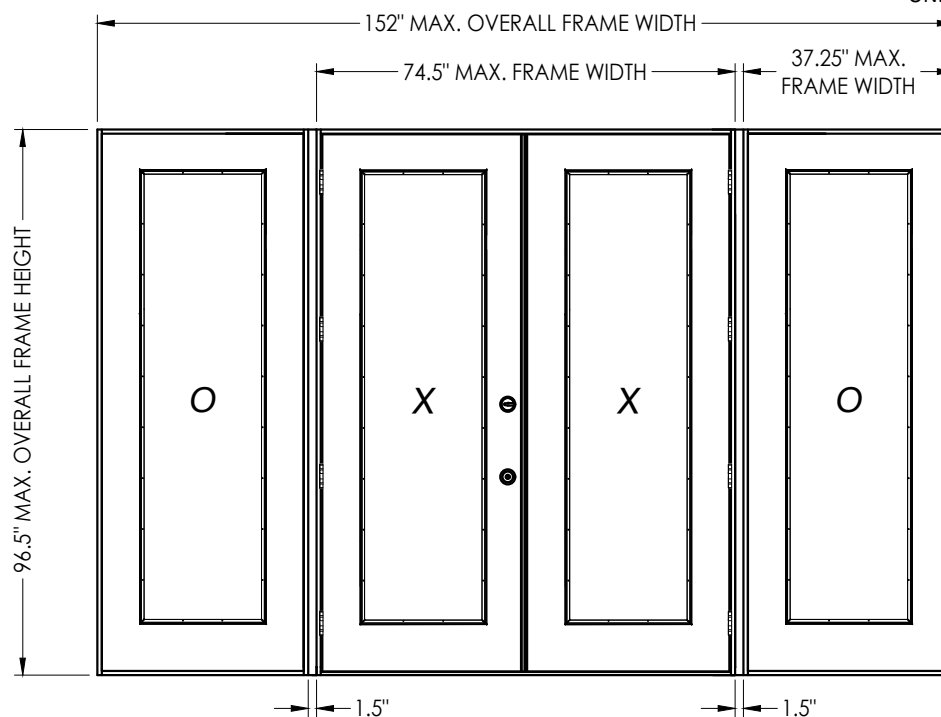


This item has been digitally signed and sealed by L. F. Schmidt, P.E. on the date adjacent to the seal. Printed copies of this document are not considered signed and sealed and the signature must be verified on any electronic copies.

THIS PRODUCT APPROVAL IS VALID ONLY FOR THE STATE OF FLORIDA

GLAZED FIBERGLASS PATIO DOOR DOUBLE w/ or w/out SIDELITE(S) OUTSWING "IMPACT"



XX

OXX

XXO

CONFIGURATION	MAX. FRAME DIMENSION	JAMB REINFORCEMENT	DESIGN PRESSURE (PSF) OUTSWING	
			POSITIVE	NEGATIVE
XX	74.5" x 96.5"	N/A	+45.0	-45.0
OXX, XXO	113.25" x 96.5"	2X	+45.0	-45.0
OXXO	152" x 96.5"	2X	+45.0	-45.0

SEE SHEET 3 FOR GLAZING DESIGN PRESSURE LIMITATIONS

GENERAL NOTES

1. This product evaluation drawing has been developed in compliance with the 7th Edition (2020) Florida Building Code (FBC) including the "High Velocity Hurricane Zone" (HVHZ).
2. Product anchors shall be as listed and spaced as shown on details. Anchor embedment to base material shall be beyond wall dressing or stucco.
3. When used in the "HVHZ", this product complies with Section 1626 of the FBC and does not require an impact resistant covering.
4. When used in areas outside of the "HVHZ" requiring wind borne debris protection, this product complies with FBC Sections 1609.1.2 & R301.2.1.2 and does not require an impact resistant covering. This product meets missile level "D" and includes Wind Zone 4 as defined in ASTM E 1996 and FBC Sections 1609.1.2.2 & R301.2.1.2.1.
5. For 2x stud framing construction, anchoring of these units shall be the same as that shown for 2x buck masonry construction.
6. Site conditions that deviate from the details of this drawing require further engineering analysis by a licensed engineer or registered architect.
7. This product meets the water infiltration requirements for the "HVHZ".

TABLE OF CONTENTS

SHEET #	DESCRIPTION	SHEET #	
1	Typical Elevations, Design Pressures & General Notes	7	Horizontal & Vertical Cross Sections (1X Buck)
2	Door & Sidelite Panel Details	8	Horizontal & Vertical Cross Sections (Direct to Masonry)
3	Life Frame Glazing Details	9	Vertical Cross Sections (Thresholds)
4	Elevations	10	Buck Anchoring
5	Horizontal Cross Sections	11	Frame Anchoring & Hardware Details
6	Horizontal & Vertical Cross Sections (2X Buck)	12	Bill of Materials & Components

Documents Prepared By:
Lyndon F. Schmidt
P.E. No. 43409

RW BUILDING CONSULTANTS, INC.
P.O. Box 230, Valrico, FL 33595
Phone No.: 813.659.9197
FBPE Registry No. 9813

PRODUCT: TRINITY
FIBERGLASS PATIO DOOR
"Impact"
PART OR ASSEMBLY:
TYPICAL ELEVATION, DESIGN
PRESSURES & GENERAL NOTES

NO.	DATE	BY	REVISIONS

DATE: 6/13/23

SCALE: N.T.S.

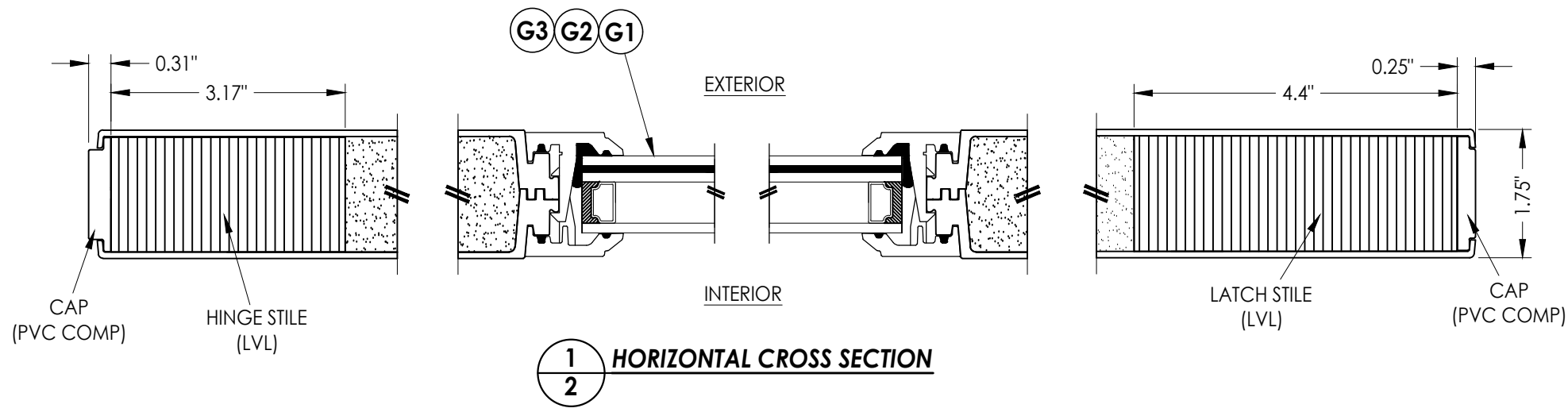
DWG. BY: RW

CHK. BY: LFS

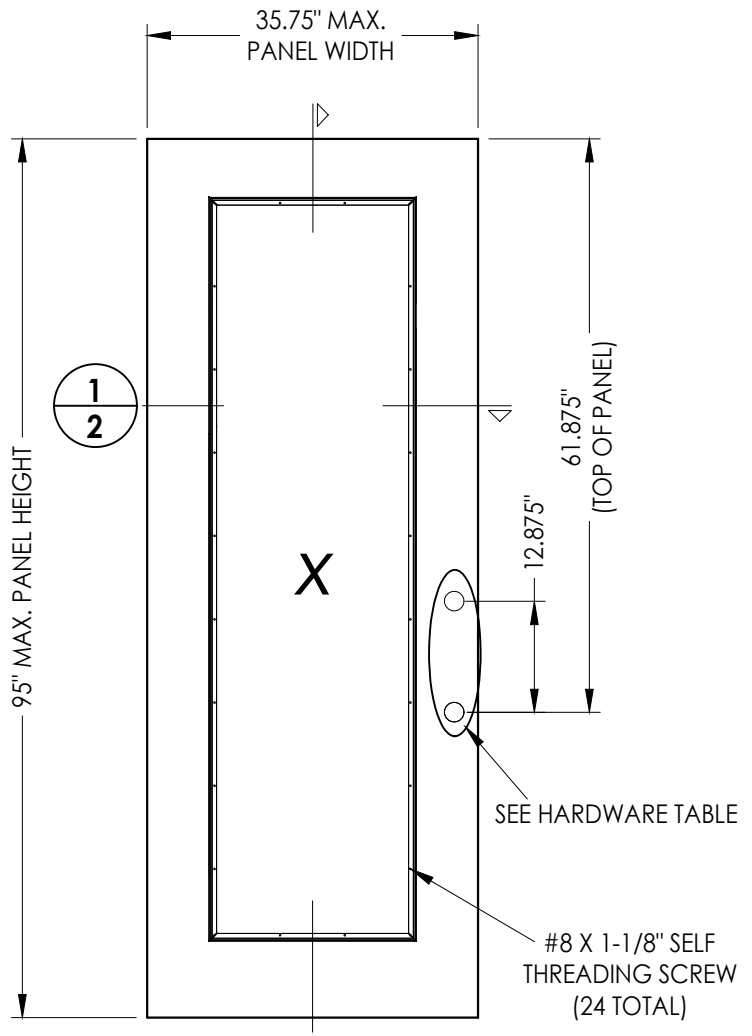
DRAWING NO.:
FL-37184.4

SHEET 1 OF 12

Z:\Clients\Trinity Glass PERMANENT\A - Florida Product Approvals\FL - 37184\C - Drawings\FL-37184 (2020)\FL-37184.4.dwg

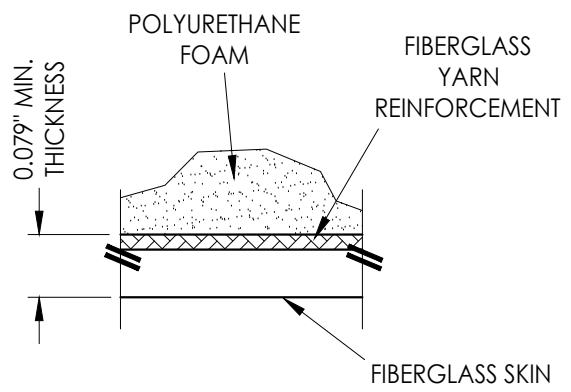


1 HORIZONTAL CROSS SECTION



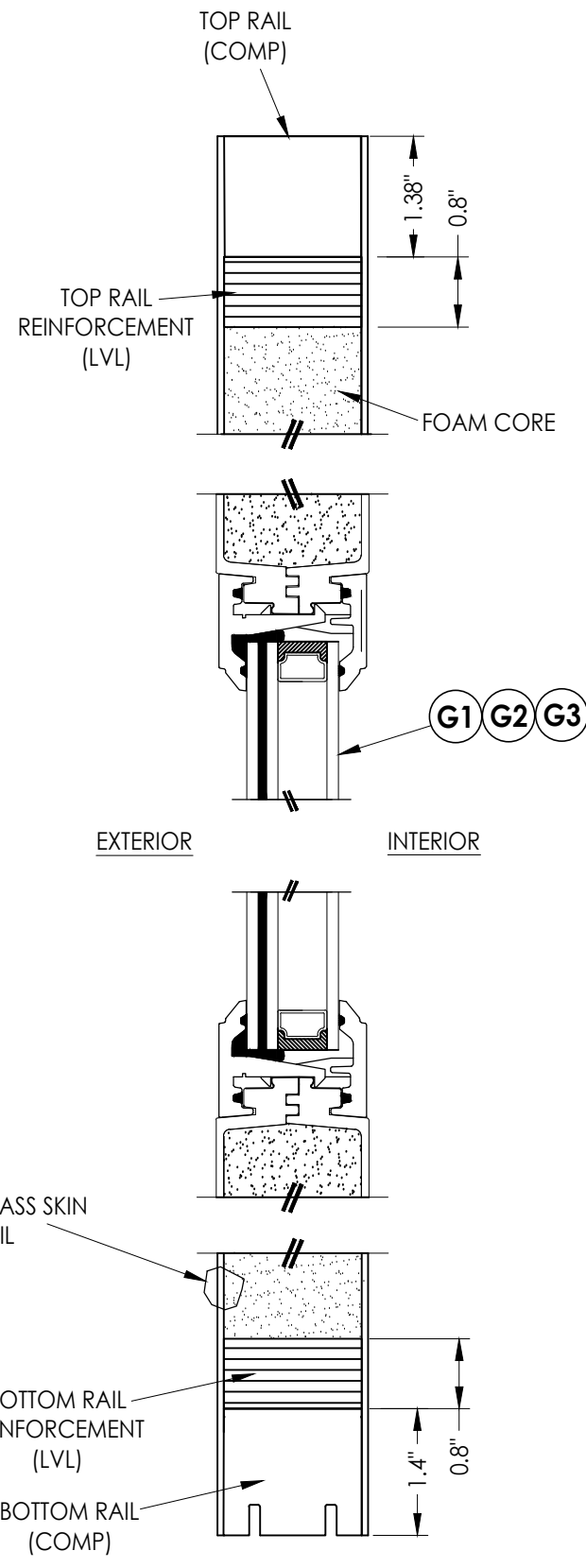
- 40 FIBERGLASS DOOR PANEL**
- 50 FIBERGLASS SIDELITE PANEL**

FIBERGLASS SKIN: 0.079" MIN. THK. (F_y = 10,000 PSI MIN.)
 FOAM CORE: POLYURETHANE - 1.9 PCF MIN.)



FIBERGLASS SKIN DETAIL

HARDWARE TABLE	
MANUFACTURER	MODEL
KWIKSET	KNOB: SIGNATURE SERIES DEADBOLT: SIGNATURE SERIES (980)



2 VERTICAL CROSS SECTION

Documents Prepared By:
 Lyndon F. Schmidt
 P.E. No. 43409

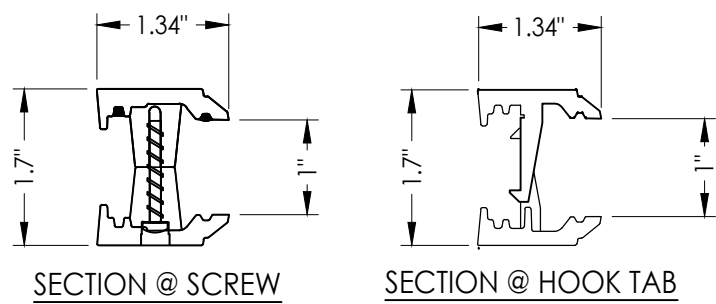
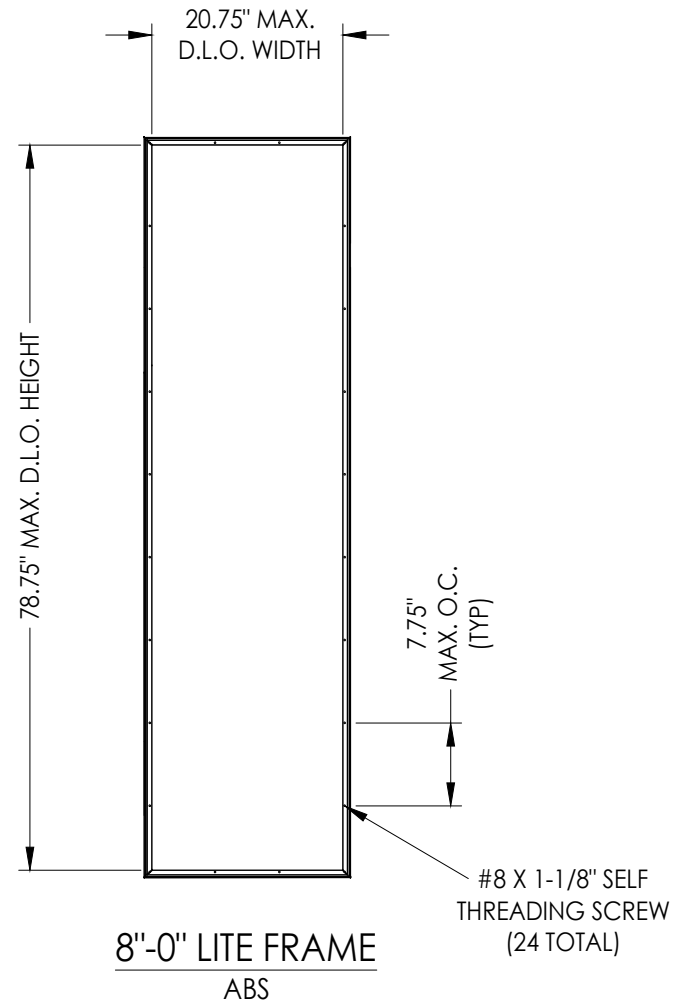
RW BUILDING CONSULTANTS, INC.
 P.O. Box 230, Valrico, FL 33595
 Phone No.: 813.659.9197
 FBPE Registry No. 9813

PRODUCT: TRINITY
 FIBERGLASS PATIO DOOR
 "Impact"

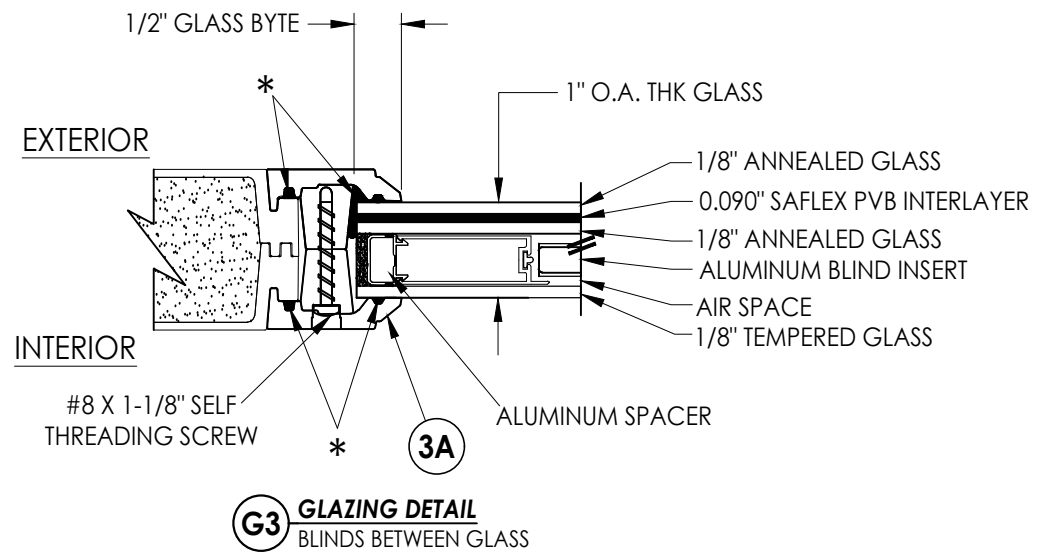
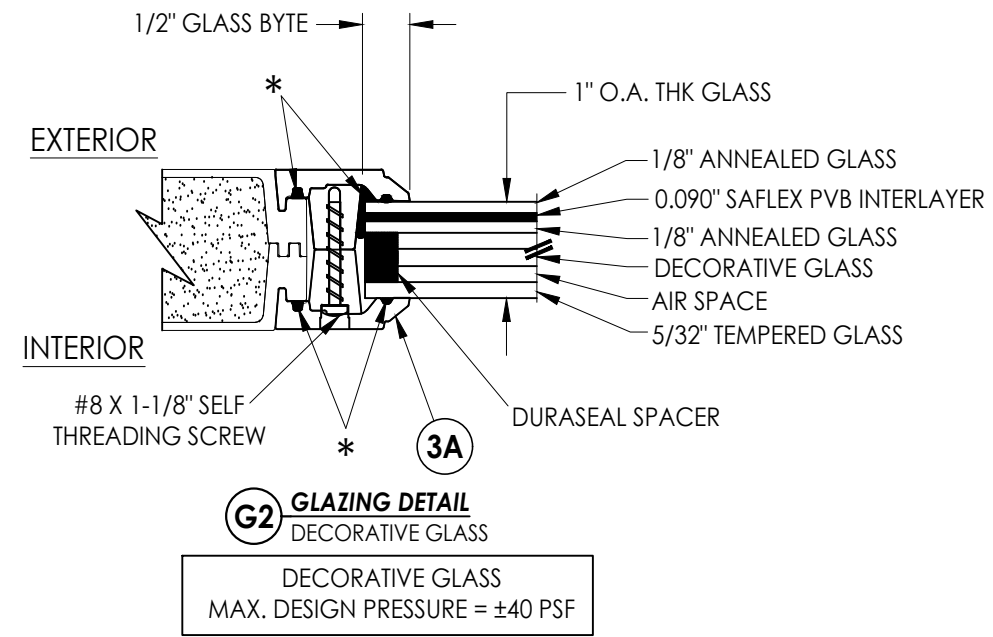
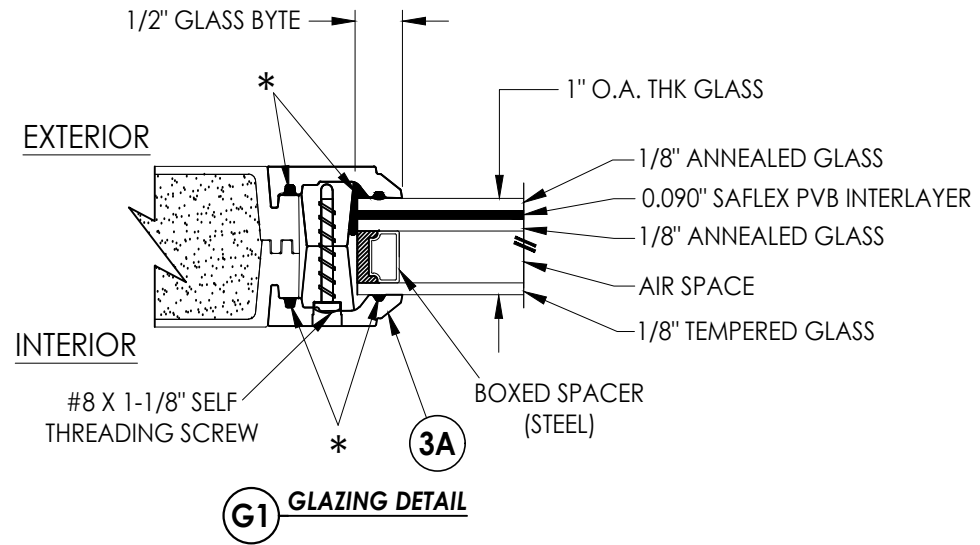
PART OR ASSEMBLY:
 DOOR & SIDELITE
 PANEL DETAILS

NO.	DATE	BY

DATE: 6/13/23
 SCALE: N.T.S.
 DWG. BY: RW
 CHK. BY: LFS
 DRAWING NO.:
 FL-37184.4
 SHEET 2 OF 12



3A FLUSH GLAZING FRAME
ABS



Documents Prepared By:
Lyndon F. Schmidt
P.E. No. 43409

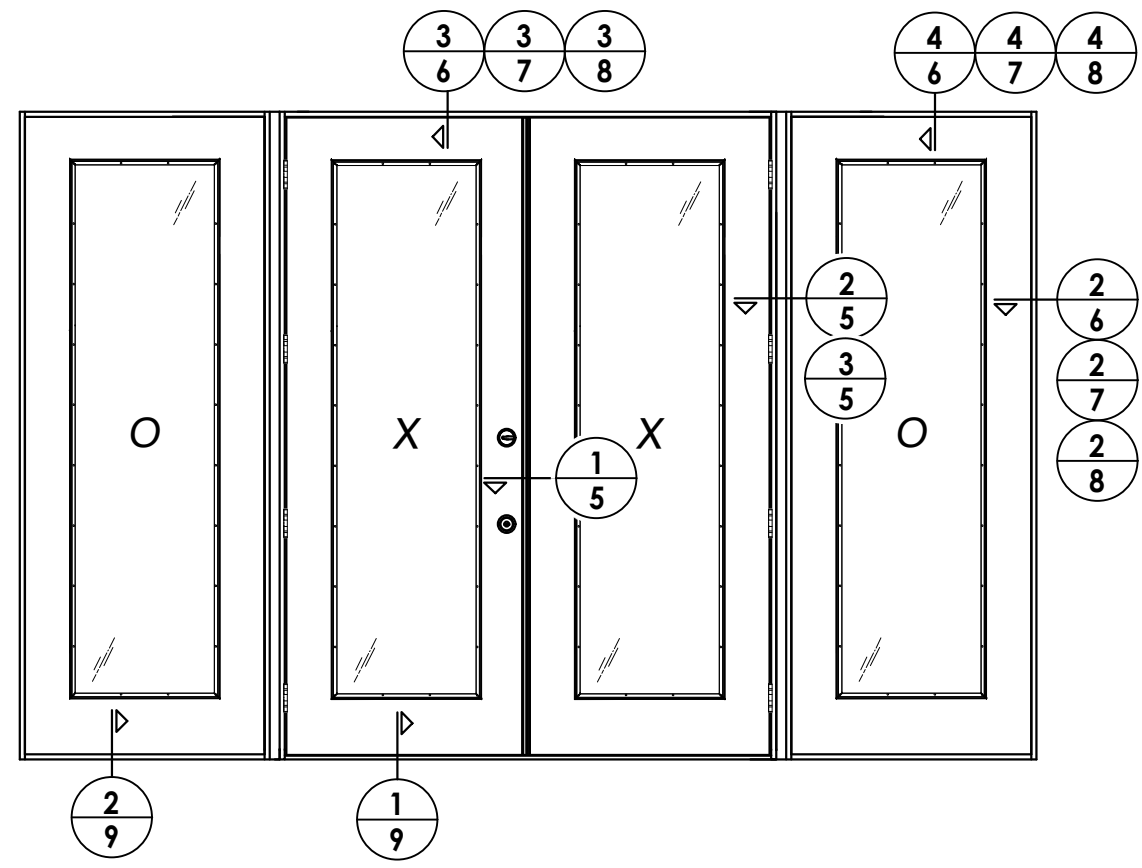
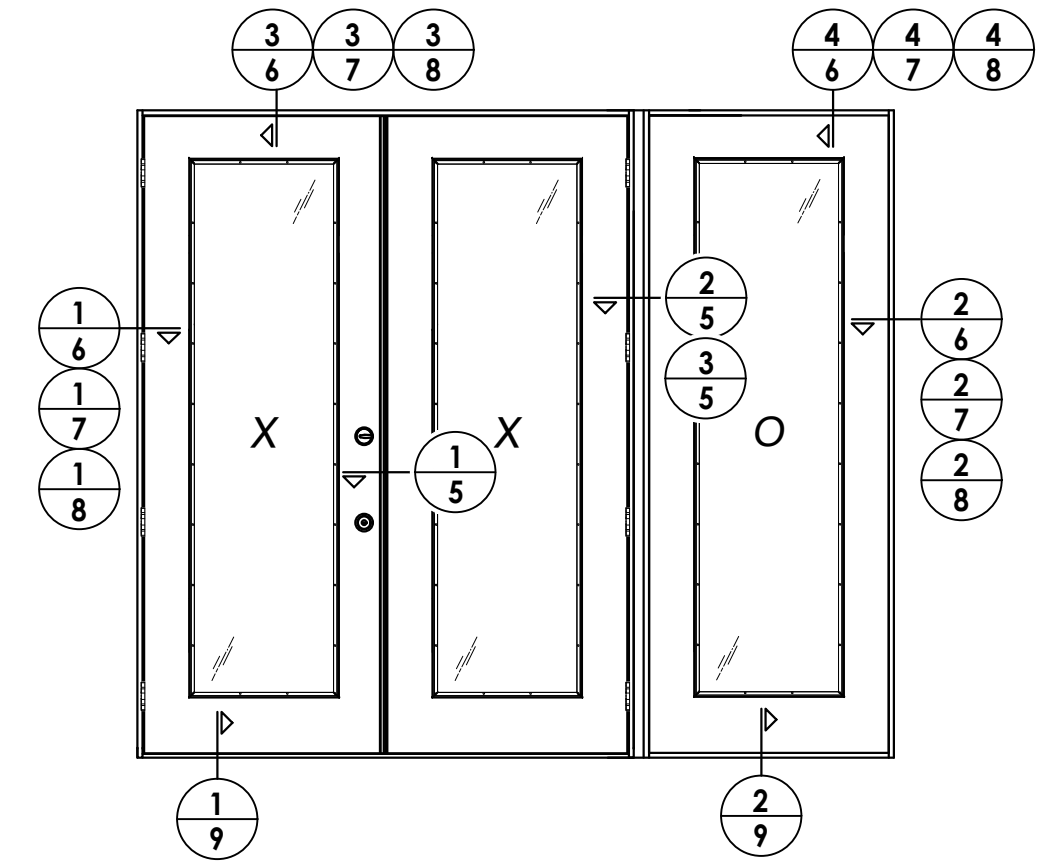
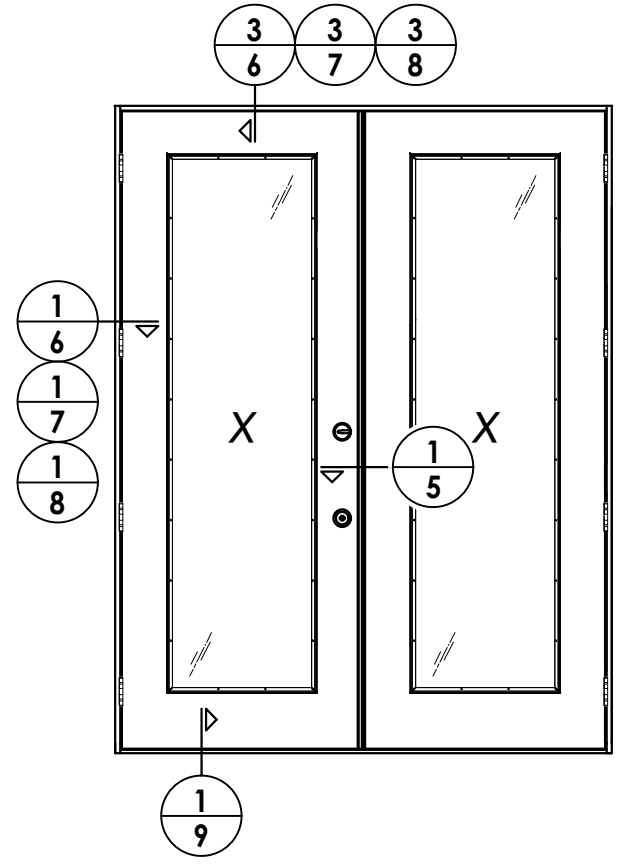
RW BUILDING CONSULTANTS, INC.
P.O. Box 230, Valrico, FL 33595
Phone No.: 813.659.9197
FBPE Registry No. 9813

PRODUCT: TRINITY FIBERGLASS PATIO DOOR "Impact"

PART OR ASSEMBLY: LITE FRAME GLAZING DETAILS

NO.	DATE	BY

DATE: 6/13/23
SCALE: N.T.S.
DWG. BY: RW
CHK. BY: LFS
DRAWING NO.: FL-37184.4
SHEET 3 OF 12

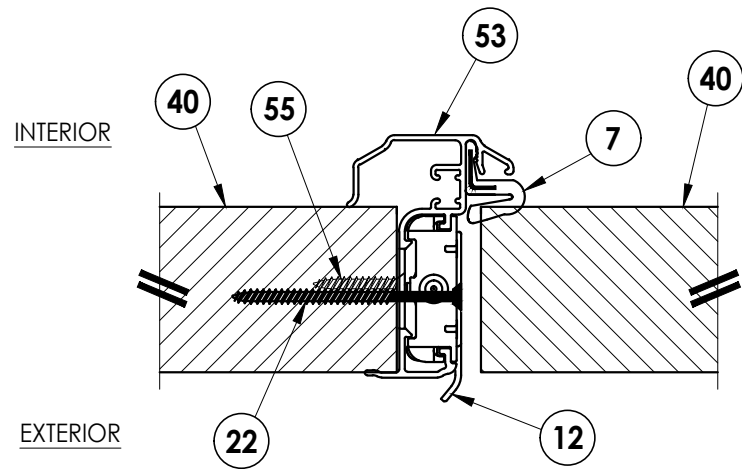


DATE: 6/13/23
 SCALE: N.T.S.
 DWG. BY: RW
 CHK. BY: LFS
 DRAWING NO.: FL-37184.4
 SHEET 4 OF 12

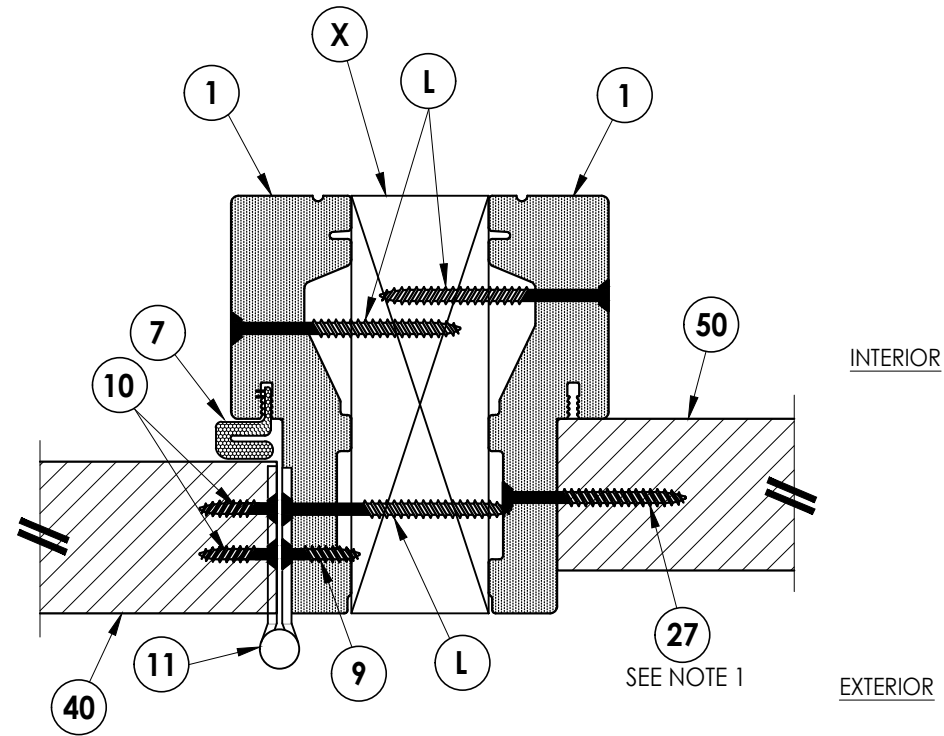
NO.	DATE	REVISIONS	BY

PRODUCT: TRINITY
 FIBERGLASS PATIO DOOR
 "Impact"
 PART OR ASSEMBLY:
 ELEVATIONS

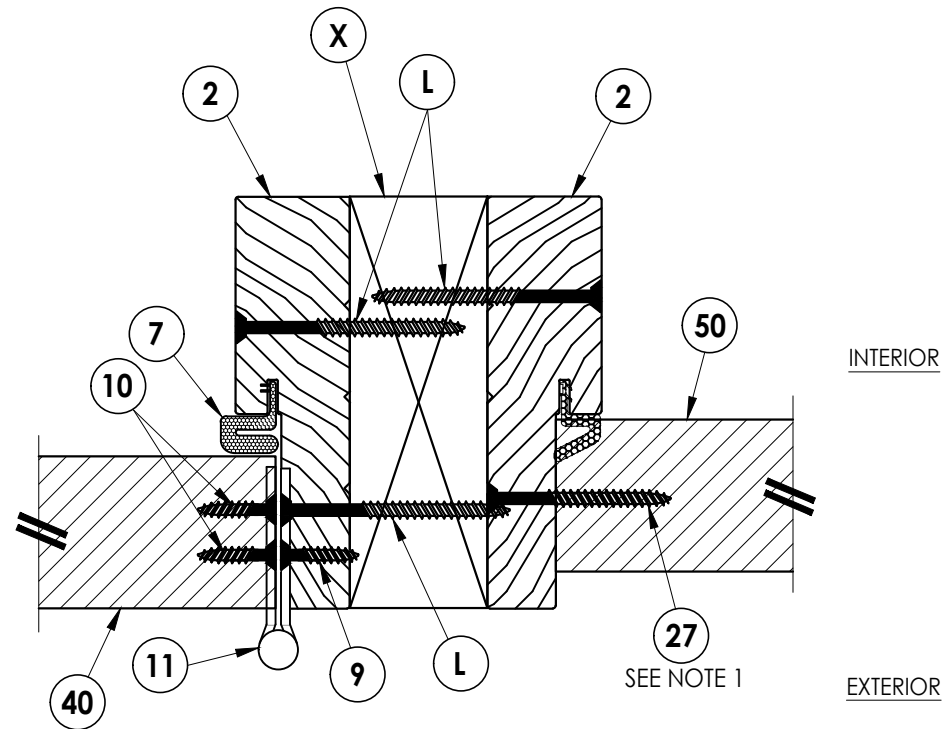
Documents Prepared By:
 Lyndon F. Schmidt
 P.E. No. 43409
 RW BUILDING CONSULTANTS, INC.
 P.O. Box 230, Valrico, FL 33595
 Phone No.: 813.659.9197
 FBPE Registry No. 9813



1
5 HORIZONTAL CROSS SECTION



2
5 HORIZONTAL CROSS SECTION
SHOWN w/ PVC JAMBS



3
5 HORIZONTAL CROSS SECTION
SHOWN w/ WOOD JAMBS

Notes:

- Sidelite assembly screws located 6" from each end and 5 more screws equally spaced between (7 screws total per side jamb).

Documents Prepared By:
Lyndon F. Schmidt
P.E. No. 43409

RW BUILDING CONSULTANTS, INC.
P.O. Box 230, Valrico, FL 33595
Phone No.: 813.659.9197
FBPE Registry No. 9813

PRODUCT: TRINITY
FIBERGLASS PATIO DOOR
"Impact"

PART OR ASSEMBLY:
HORIZONTAL
CROSS SECTIONS

NO.	DATE	BY	REVISIONS

DATE: 6/13/23

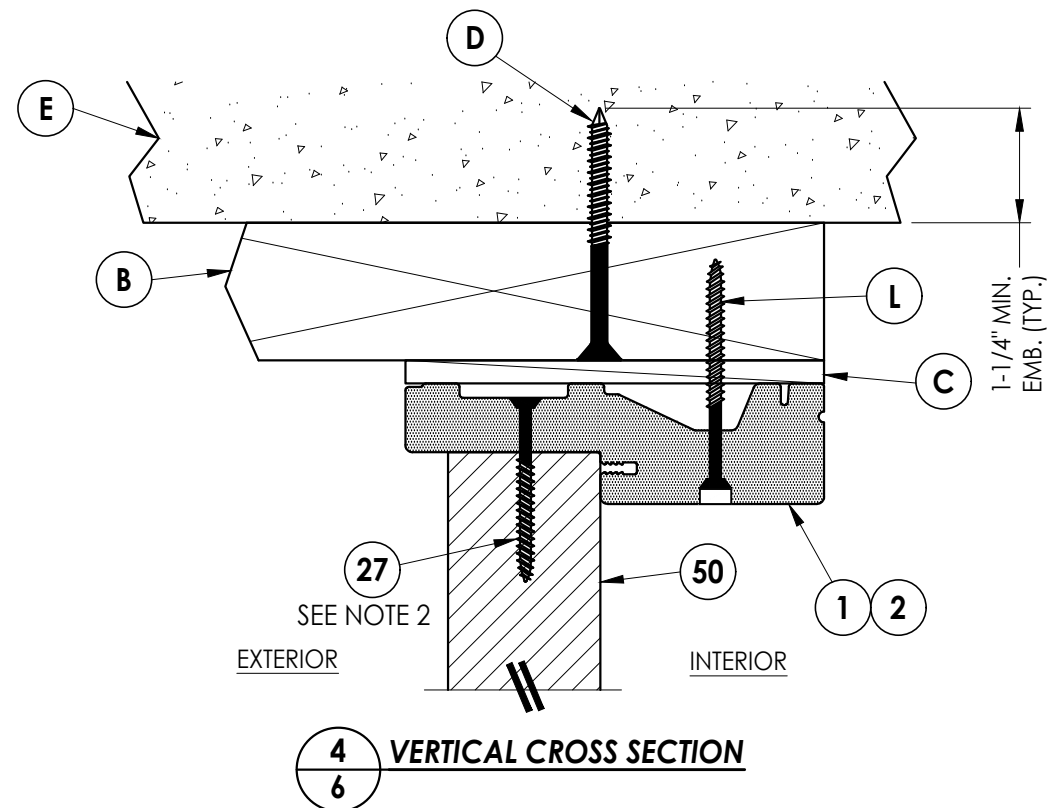
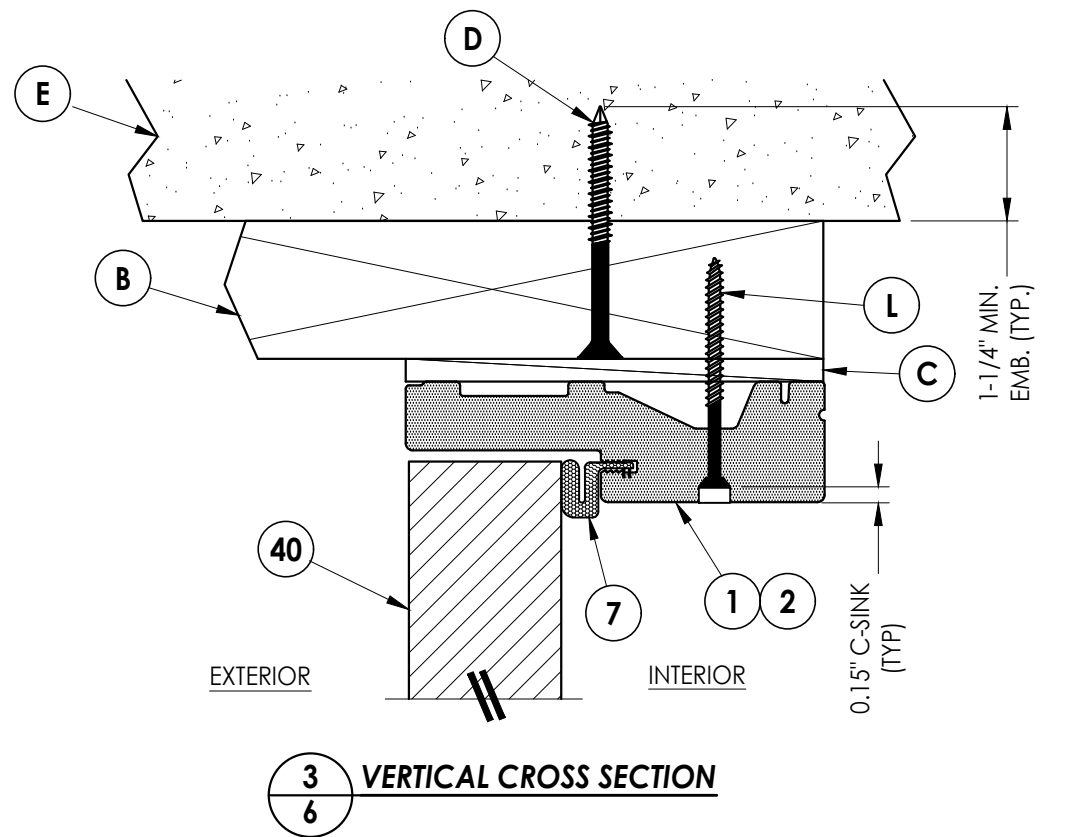
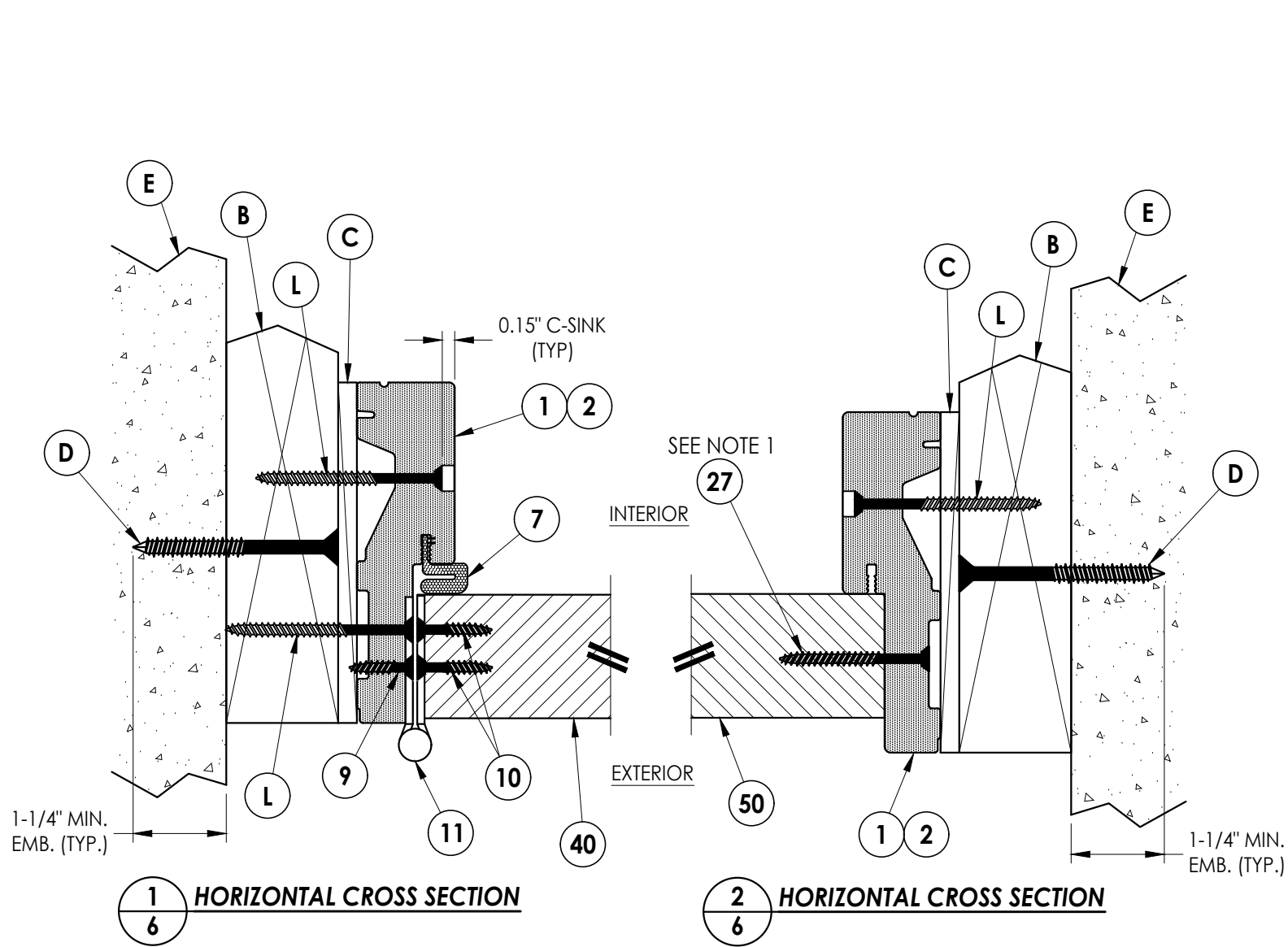
SCALE: N.T.S.

DWG. BY: RW

CHK. BY: LFS

DRAWING NO.:
FL-37184.4

SHEET 5 OF 12



Notes:

1. Sidelite assembly screws located 6" from each end and 5 more screws equally spaced between (7 screws total per side jamb).
2. Sidelite assembly screws located 10" from each end (2 screws total along head & sill).

Documents Prepared By:
Lyndon F. Schmidt
P.E. No. 43409

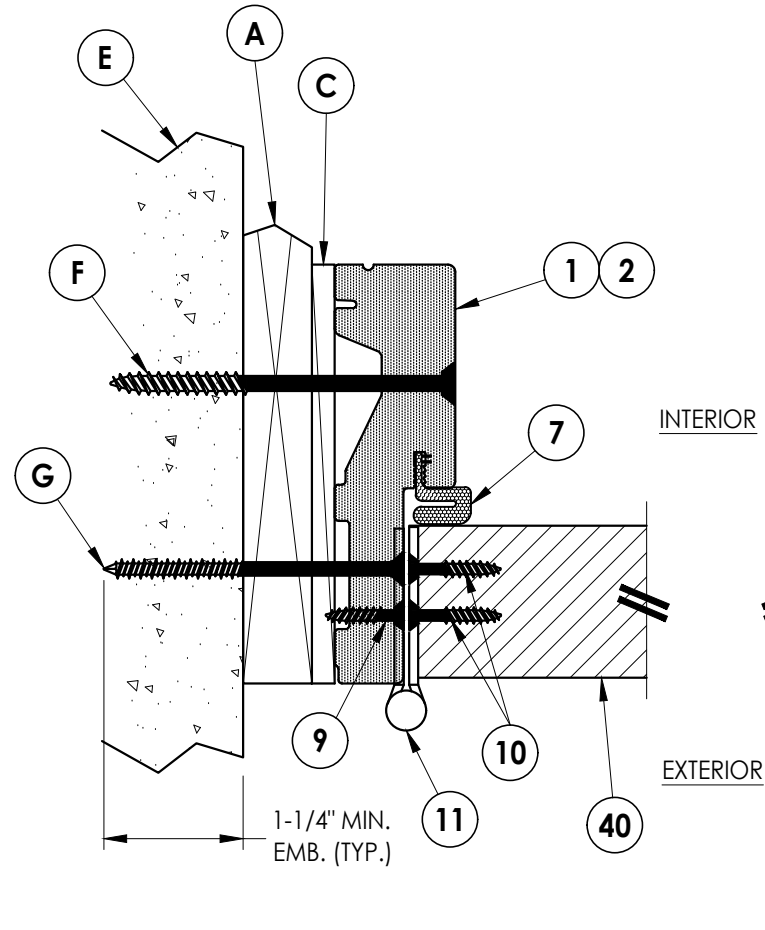
RW BUILDING CONSULTANTS, INC.
P.O. Box 230, Valrico, FL 33595
Phone No.: 813.659.9197
FBPE Registry No. 9813

PRODUCT: TRINITY
FIBERGLASS PATIO DOOR
"Impact"
PART OR ASSEMBLY:
HORIZONTAL & VERTICAL
CROSS SECTIONS (2X BUCK)

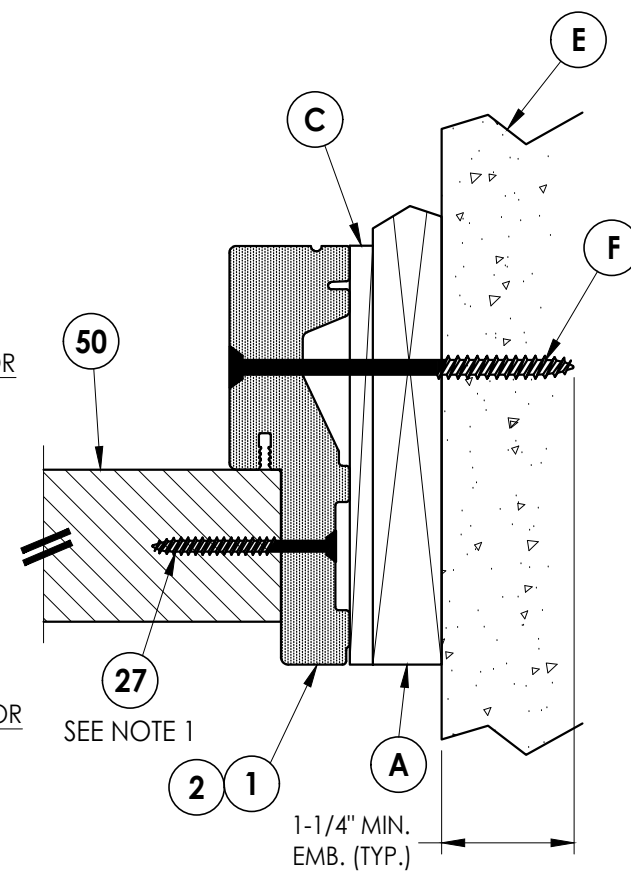
NO.	DATE	BY

DATE: 6/13/23
SCALE: N.T.S.
DWG. BY: RW
CHK. BY: LFS
DRAWING NO.: FL-37184.4
SHEET 6 OF 12

Z:\Clients\Trinity Glass Permanent\A - Florida Product Approvals\FL - 37184\C - Drawings\FL-37184 (2020)\FL-37184.4.dwg



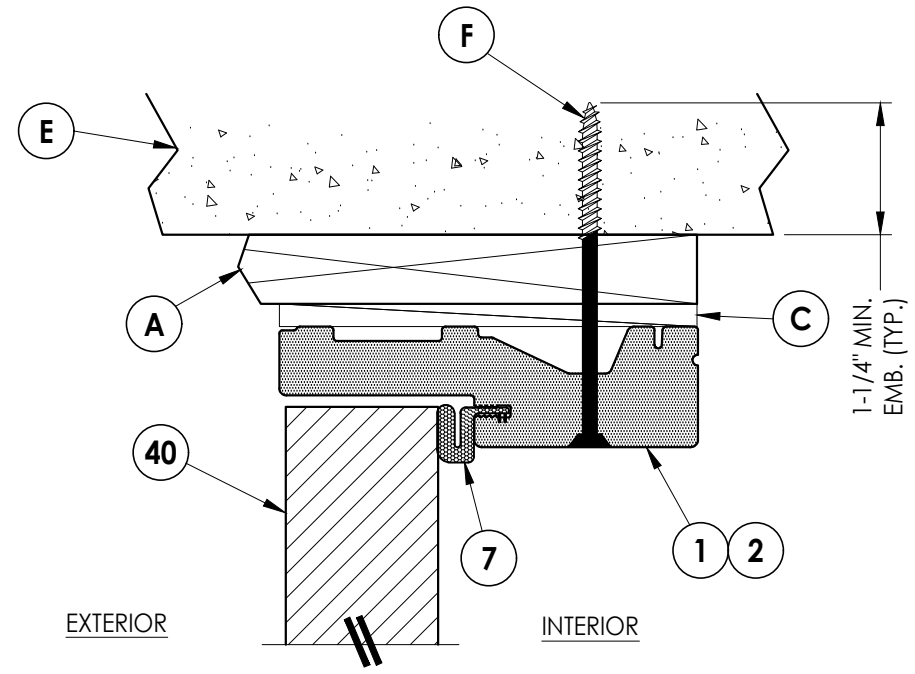
1
7 **HORIZONTAL CROSS SECTION**
Shown w/ 1X sub-buck



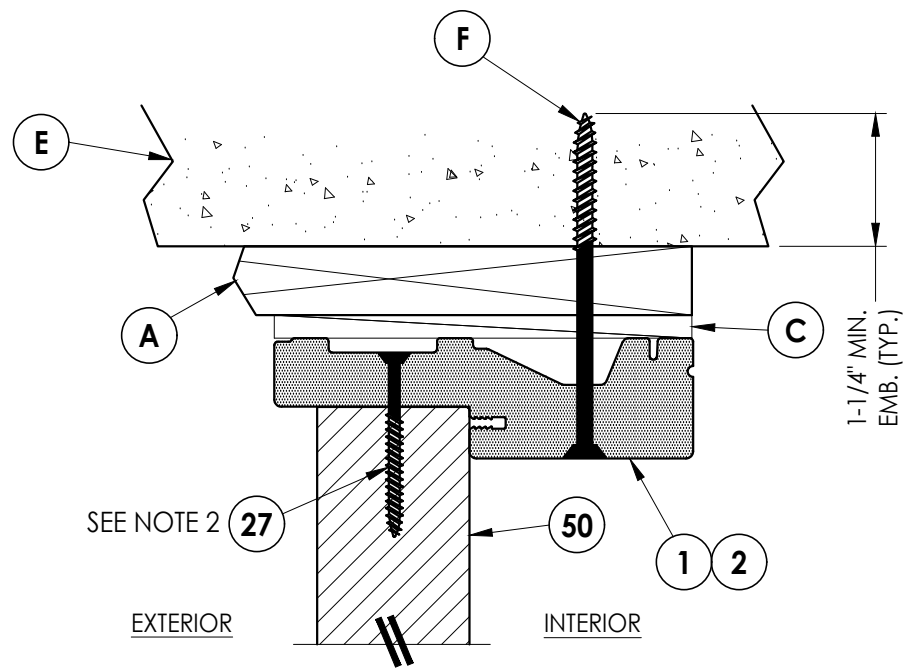
2
7 **HORIZONTAL CROSS SECTION**
Shown w/ 1X sub-buck

Notes:

- 1. Sidelite assembly screws located 6" from each end and 5 more screws equally spaced between (7 screws total per side jamb).
- 2. Sidelite assembly screws located 10" from each end (2 screws total along head & sill).



3
7 **VERTICAL CROSS SECTION**
Shown w/ 1X sub-buck



4
7 **VERTICAL CROSS SECTION**
Shown w/ 1X sub-buck

Documents Prepared By:
Lyndon F. Schmidt
P.E. No. 43409

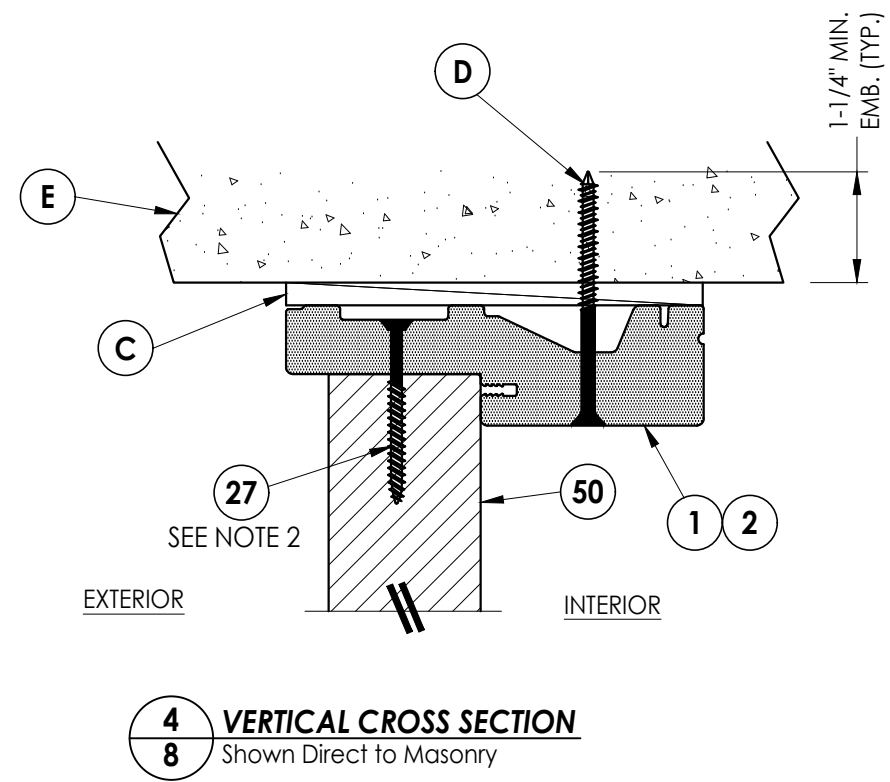
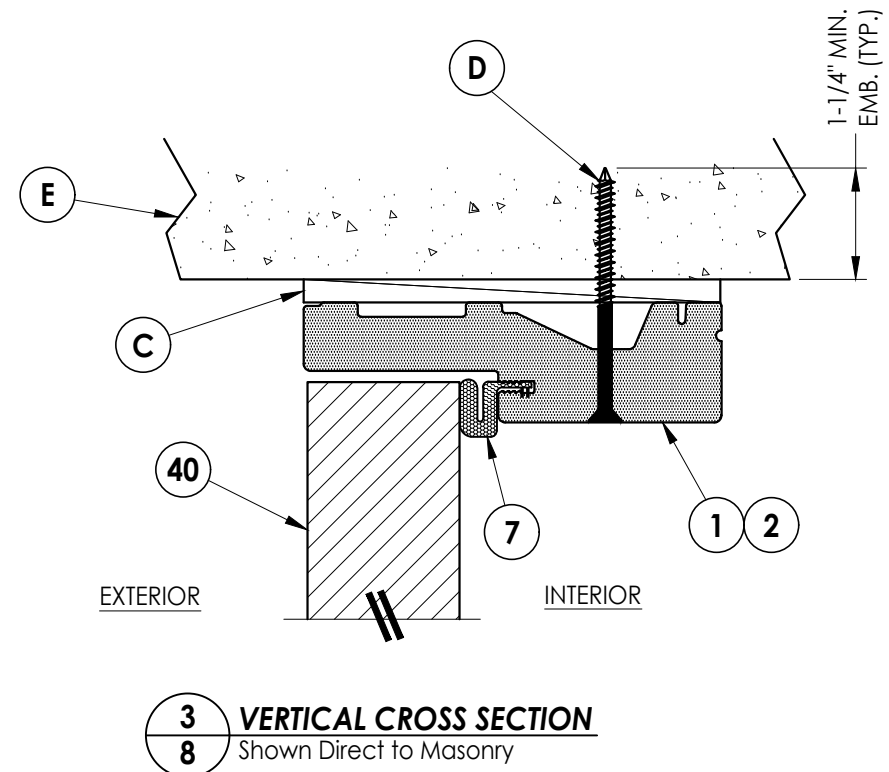
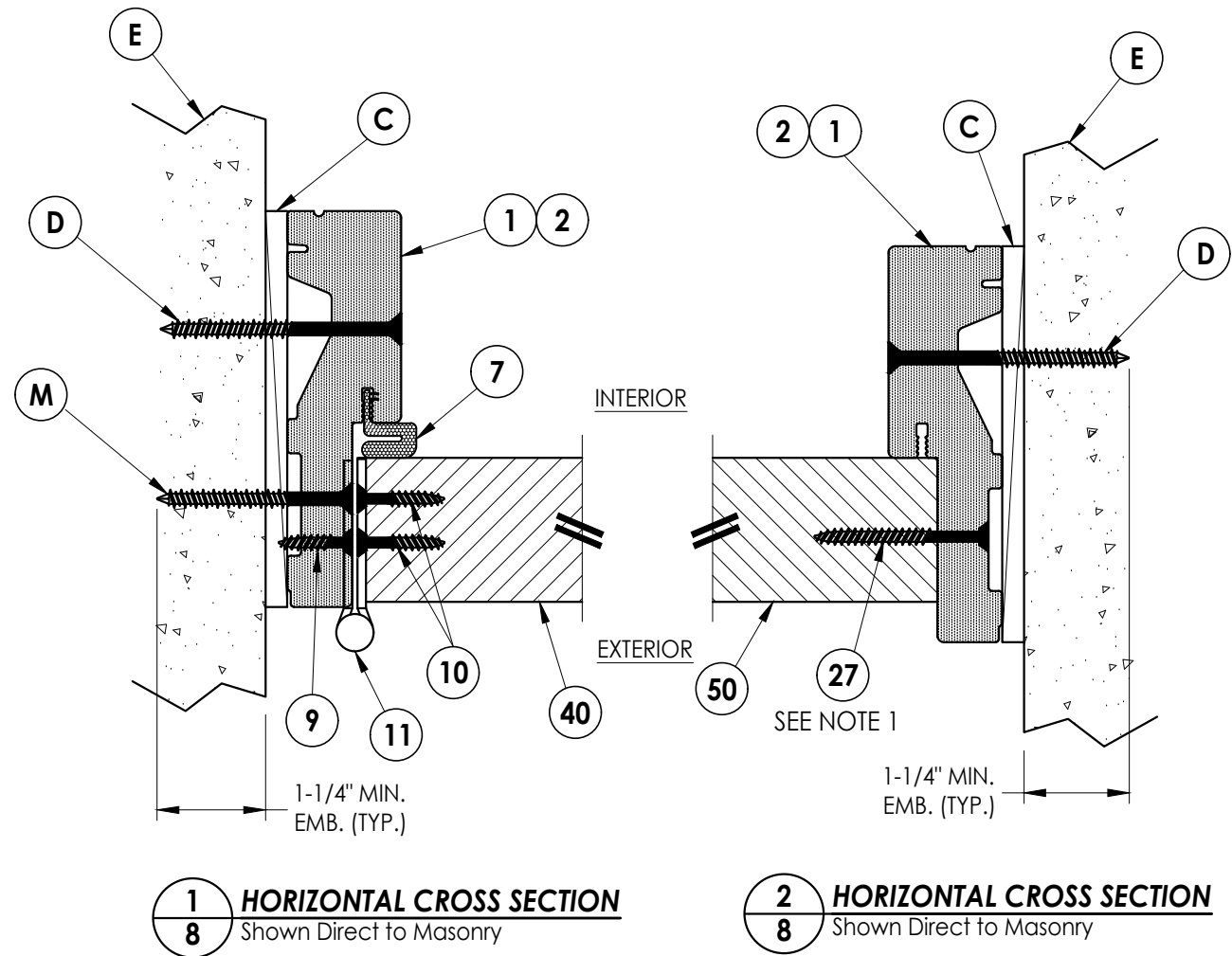
RW BUILDING CONSULTANTS, INC.
P.O. Box 230, Valrico, FL 33595
Phone No.: 813.659.9197
FBPE Registry No. 9813

PRODUCT: TRINITY FIBERGLASS PATIO DOOR "Impact"
PART OR ASSEMBLY: HORIZONTAL & VERTICAL CROSS SECTIONS (1X BUCK)

REVISIONS		NO.	DATE	BY

DATE: 6/13/23
SCALE: N.T.S.
DWG. BY: RW
CHK. BY: LFS
DRAWING NO.: FL-37184.4
SHEET 7 OF 12

© 2023 R.W. BUILDING CONSULTANTS INC.



- Notes:
1. Sidelite assembly screws located 6" from each end and 5 more screws equally spaced between (7 screws total per side jamb).
 2. Sidelite assembly screws located 10" from each end (2 screws total along head & sill).

Documents Prepared By:
Lyndon F. Schmidt
P.E. No. 43409

RW BUILDING CONSULTANTS, INC.
P.O. Box 230, Valrico, FL 33595
Phone No.: 813.659.9197
FBPE Registry No. 9813

PRODUCT: TRINITY FIBERGLASS PATIO DOOR "Impact"

PART OR ASSEMBLY: HORIZONTAL & VERTICAL CROSS SECTIONS (DIRECT TO MASONRY)

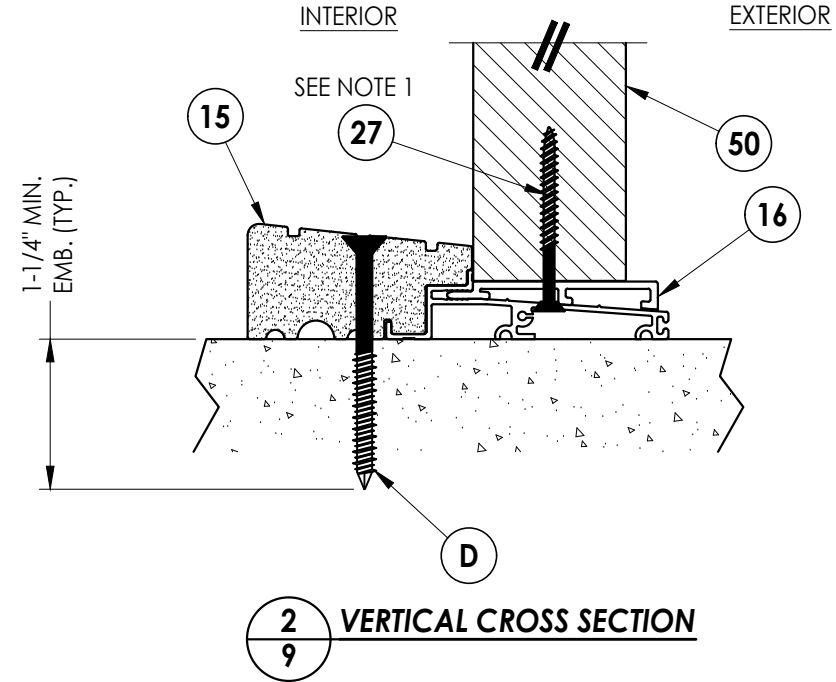
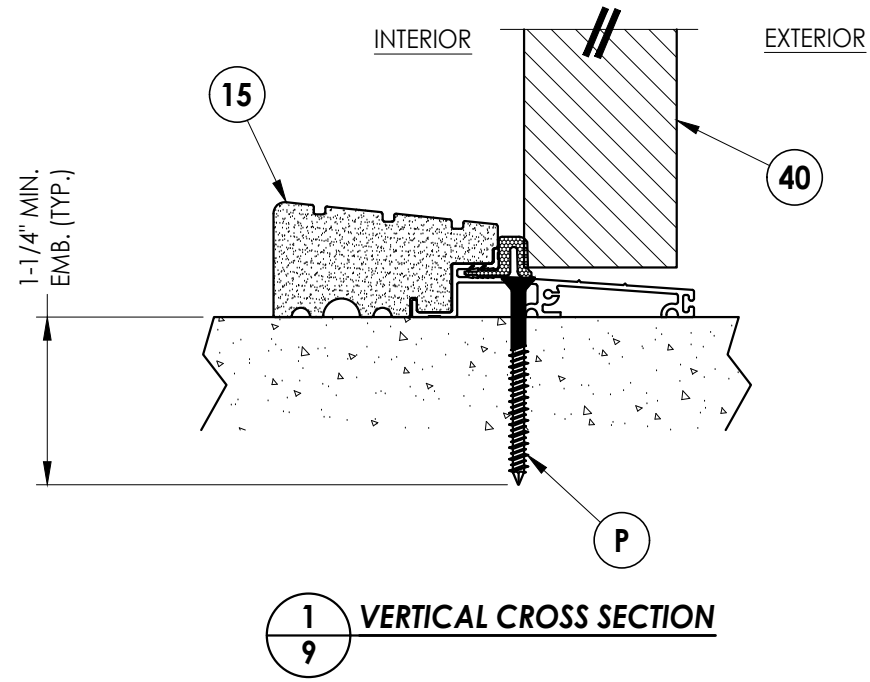
NO.	DATE	BY	REVISIONS

DATE: 6/13/23
SCALE: N.T.S.
DWG. BY: RW
CHK. BY: LFS
DRAWING NO.: FL-37184.4
SHEET 8 OF 12

© 2023 R.W. BUILDING CONSULTANTS INC.

Notes:

- Sidelite assembly screws located 10" from each end (2 screws total along head & sill).



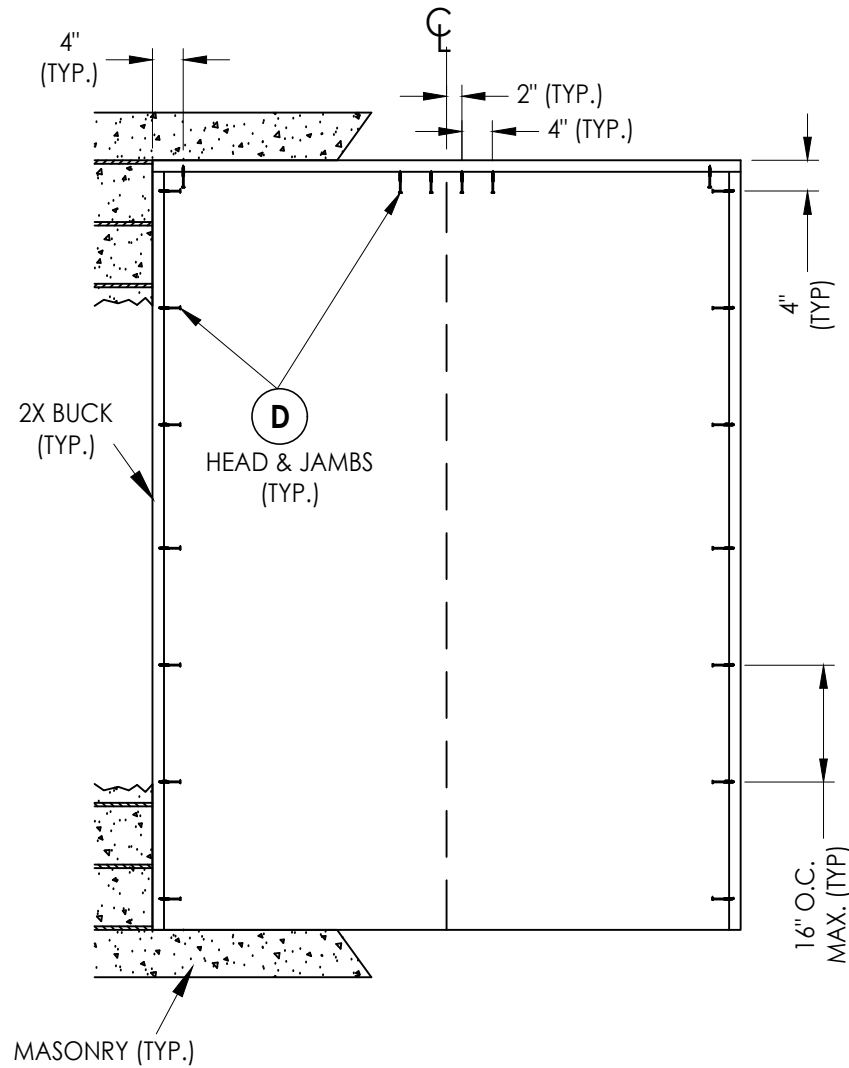
DATE: 6/13/23
 SCALE: N.T.S.
 DWG. BY: RW
 CHK. BY: LFS
 DRAWING NO.: FL-37184.4
 SHEET 9 OF 12

NO.	DATE	BY
REVISIONS		

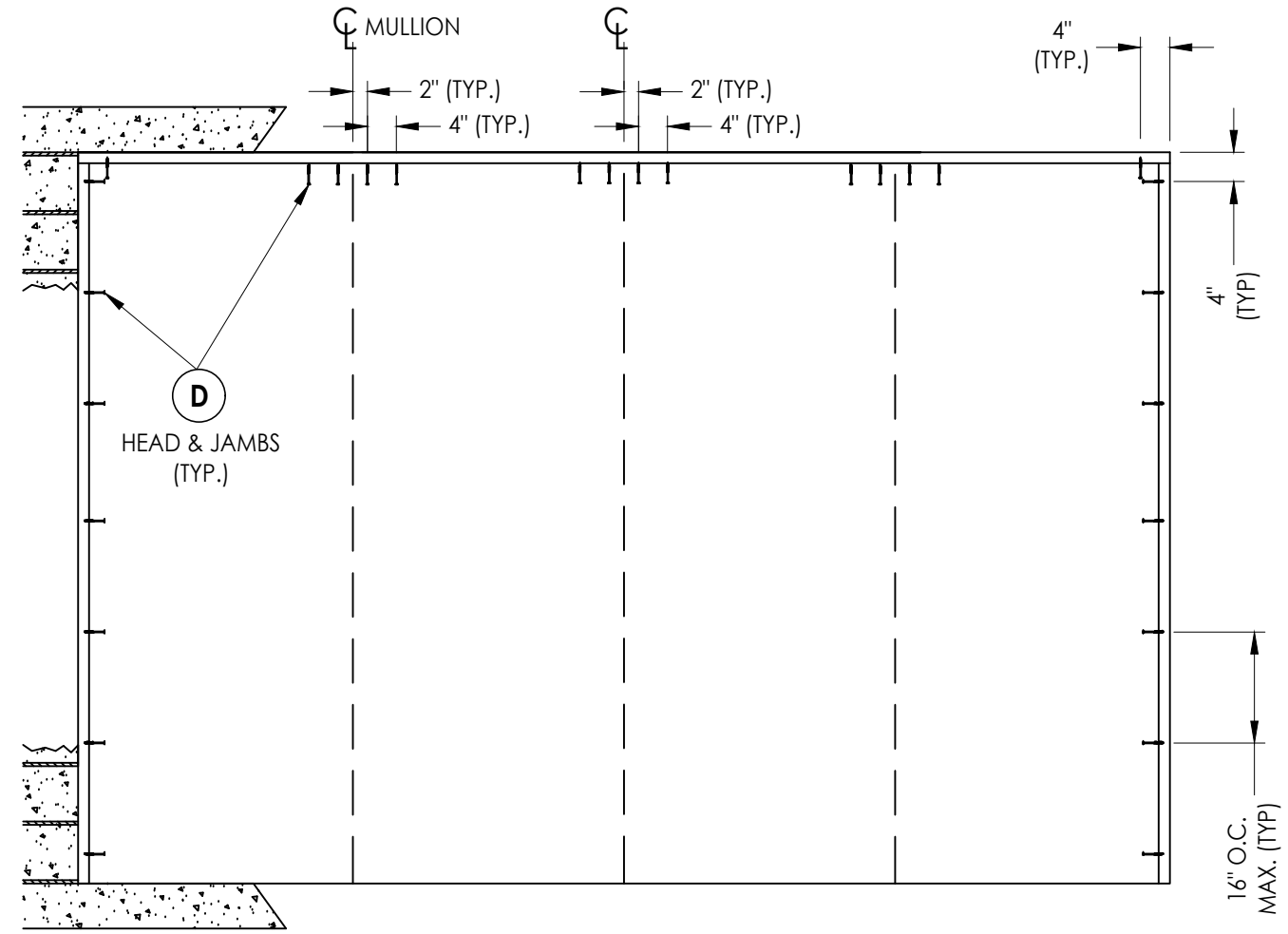
PRODUCT: TRINITY FIBERGLASS PATIO DOOR "Impact"
 PART OR ASSEMBLY: VERTICAL CROSS SECTIONS (THRESHOLDS)

Documents Prepared By:
 Lyndon F. Schmidt
 P.E. No. 4-3409

RW BUILDING CONSULTANTS, INC.
 P.O. Box 230, Valrico, FL 33595
 Phone No.: 813.659.9197
 FBPE Registry No. 9813



XX



OXXO (Shown)
XXO, OXX (Similar)

2X BUCK ANCHORING

Documents Prepared By:
Lyndon F. Schmidt
P.E. No. 43409

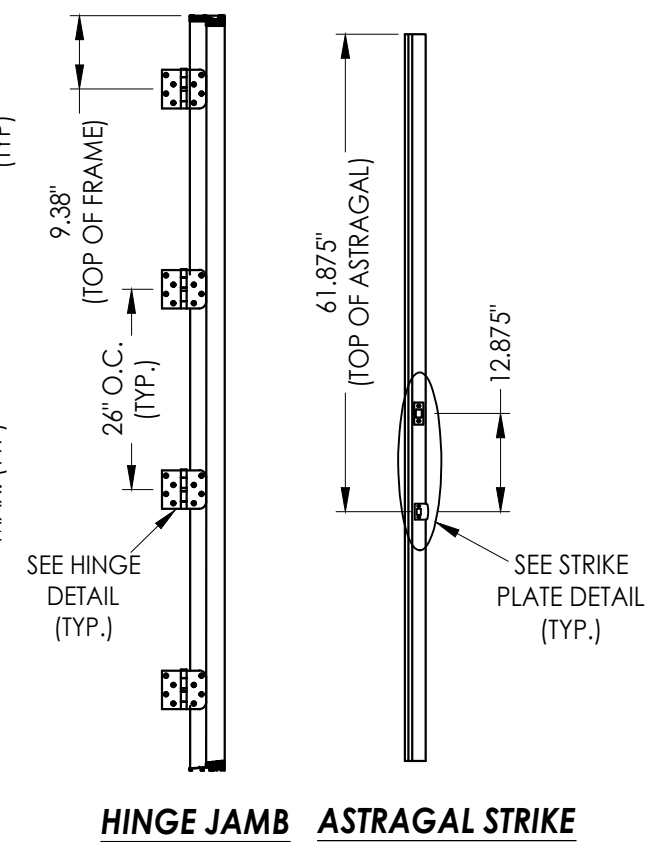
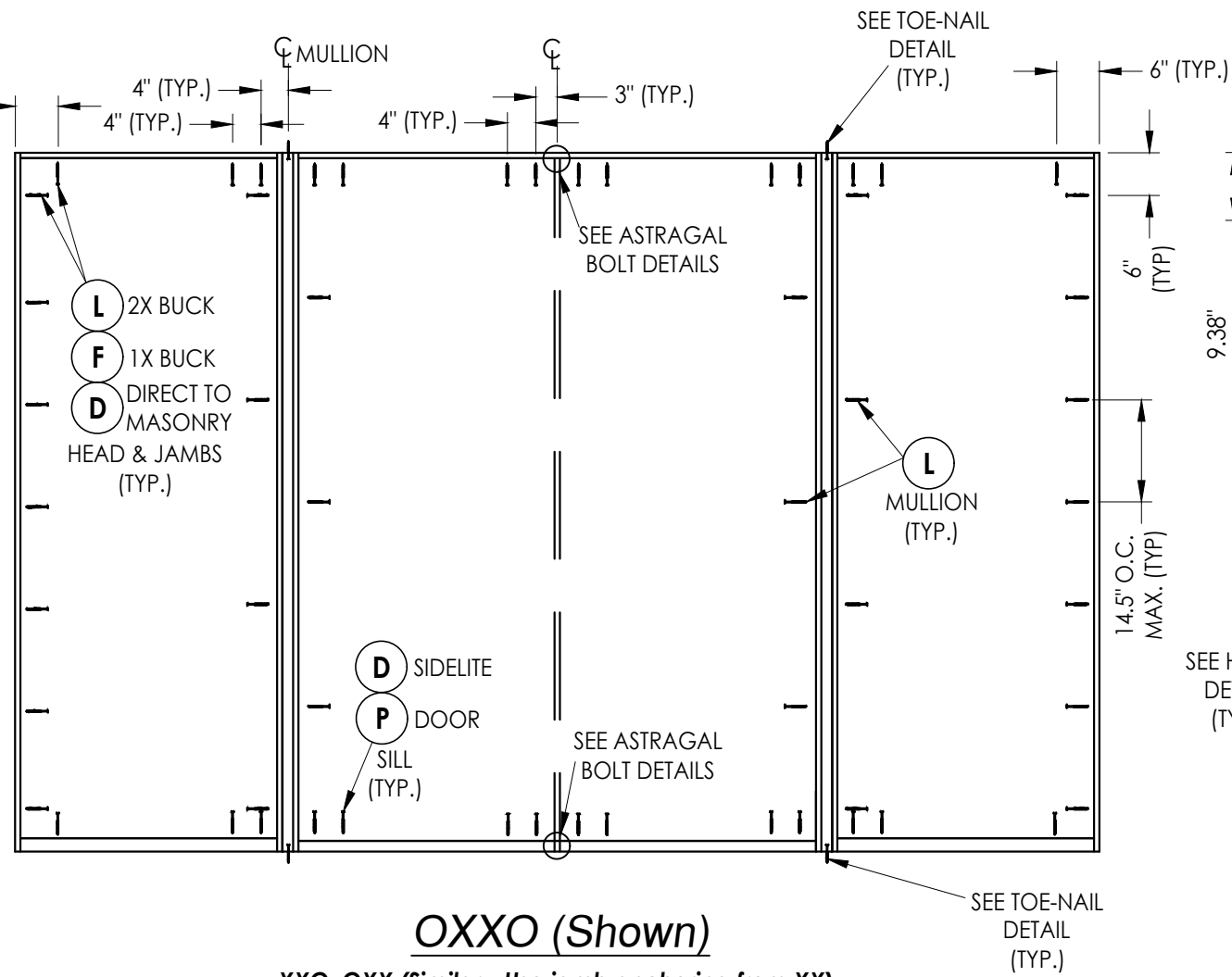
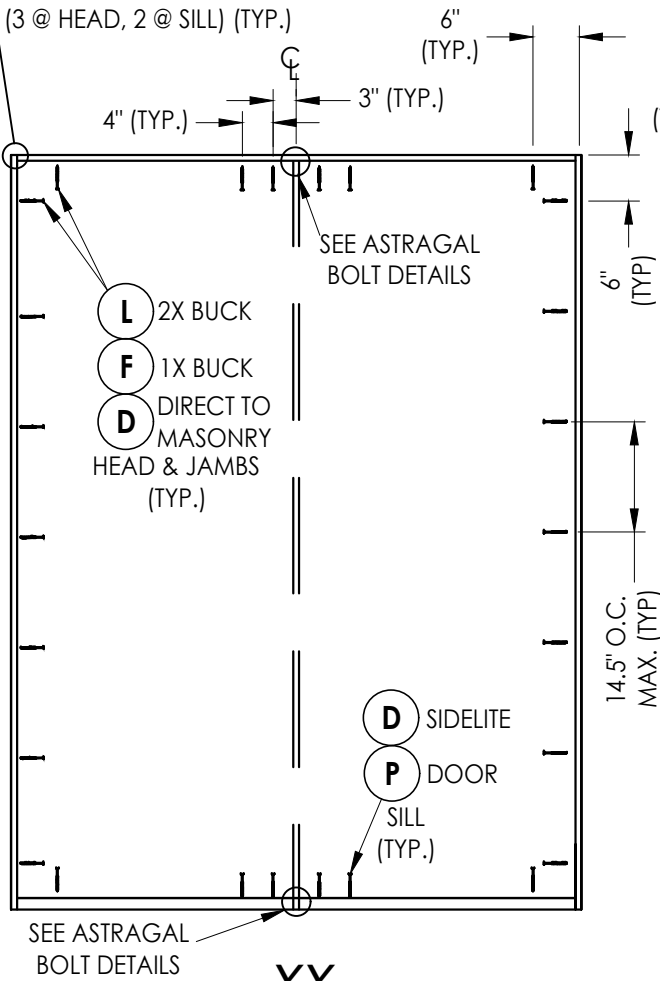
RW BUILDING CONSULTANTS, INC.
P.O. Box 230, Vairico, FL 33595
Phone No.: 813.659.9197
FBPE Registry No. 9813

PRODUCT:	TRINITY FIBERGLASS PATIO DOOR "Impact"
PART OR ASSEMBLY:	BUCK ANCHORING

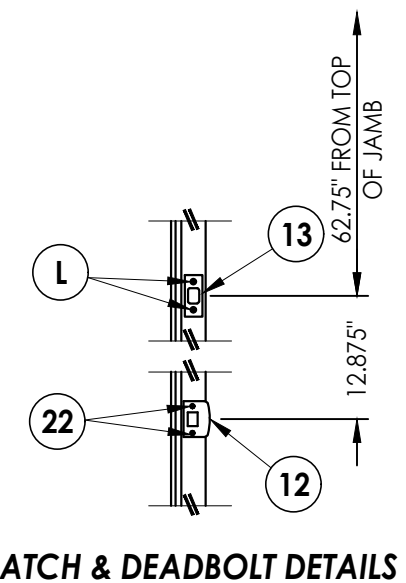
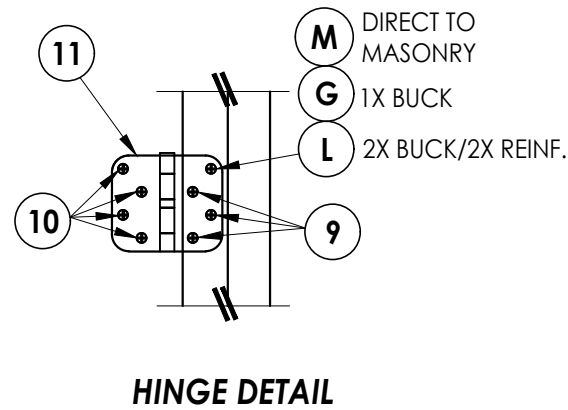
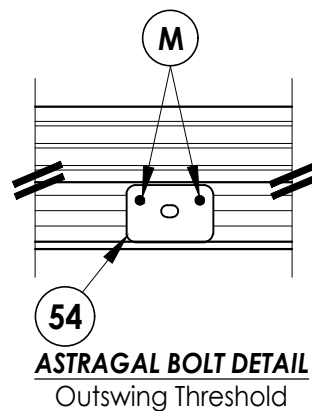
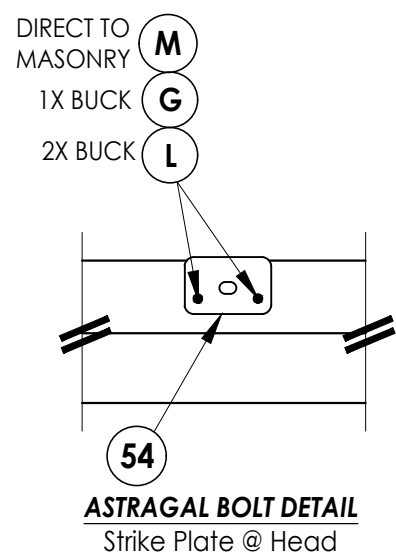
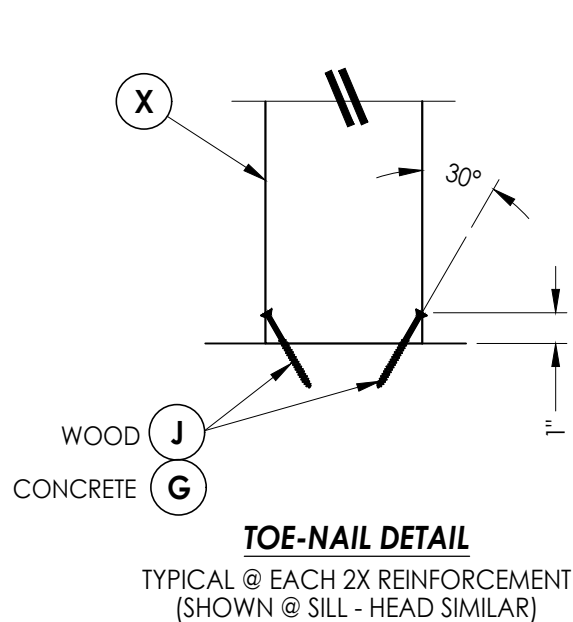
NO.	DATE	BY	REVISIONS

DATE:	6/13/23
SCALE:	N.T.S.
DWG. BY:	RW
CHK. BY:	LFS
DRAWING NO.:	FL-37184.4
SHEET	10 OF 12

ATTACH FRAME CORNERS w/ #8 X
2" COURSE THREAD DRYWALL
SCREWS (3 @ HEAD, 2 @ SILL) (TYP.)



FRAME ANCHORING



HARDWARE DETAILS

Documents Prepared By:
Lyndon F. Schmidt
P.E. No. 43409

RW BUILDING CONSULTANTS, INC.
P.O. Box 230, Valrico, FL 33595
Phone No.: 813.659.9197
FBPE Registry No. 9813

PRODUCT: TRINITY
FIBERGLASS PATIO DOOR
"Impact"

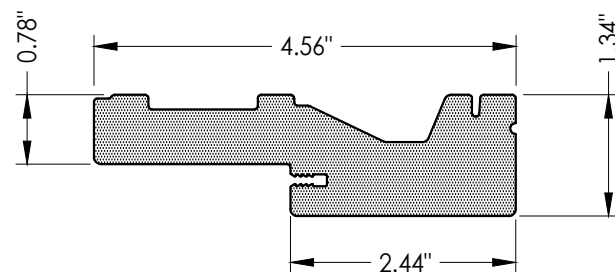
PART OR ASSEMBLY:
FRAME ANCHORING
& HARDWARE DETAILS

NO.	DATE	BY

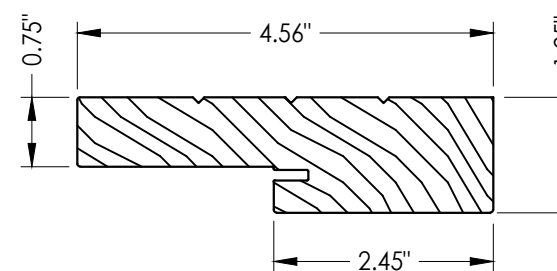
DATE: 6/13/23
SCALE: N.T.S.
DWG. BY: RW
CHK. BY: LFS
DRAWING NO.: FL-37184.4
SHEET 11 OF 12

BILL OF MATERIALS

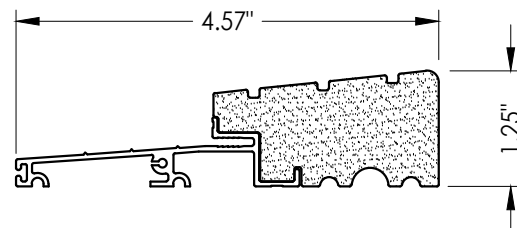
ITEM #	DESCRIPTION	MATERIAL
A	1X BUCK (G >= 0.42)	WOOD
B	2X BUCK (G >= 0.42)	WOOD
C	1/4" MAX. SHIM SPACE	-
D	1/4" X 2-3/4" PFH DeWALT OR ITW CONCRETE SCREW	STEEL
E	MASONRY - 3,000 PSI MIN. CONCRETE CONFORMING TO ACI 301 OR HOLLOW BLOCK CONFORMING TO ASTM C90	CONCRETE
F	1/4" X 3-3/4" PFH DeWALT OR ITW CONCRETE SCREW	STEEL
G	3/16" X 3-1/4" PFH ITW CONCRETE SCREW	STEEL
J	#10 X 3" PFH WOOD SCREW	STEEL
L	#10 X 2-1/2" PFH WOOD SCREW (1.15" MIN. EMB.)	STEEL
M	3/16" X 2-1/4" PFH ITW CONCRETE SCREW	STEEL
P	1/4" X 2-1/4" PFH DeWALT OR ITW CONCRETE SCREW	STEEL
X	2X REINFORCEMENT (SG = 0.55)	WOOD
1	PVC JAMB	COMP
2	WOOD JAMB	WOOD
7	WEATHERSTRIP	FOAM
9	#9 X 3/4" PFH WOOD SCREW	STEEL
10	#9 X 1" PFH WOOD SCREW	STEEL
11	4" X 4" HINGE	STEEL
12	LATCH STRIKE PLATE	STEEL
13	DEADBOLT STRIKE PLATE	STEEL
15	OUTSWING THRESHOLD	ALUM/COMP
16	OUTSWING SIDELITE ADAPTER	PVC
22	#8 X 2-1/2" PFH WOOD SCREW	STEEL
27	#10 X 2" PFH SMS	STEEL
40	DOOR PANEL	-
50	SIDELITE PANEL	-
53	ALUMINUM ASTRAGAL	ALUM
54	ASTRAGAL STRIKE PLATE	STEEL
55	#8 X 1" PFH WS	STEEL



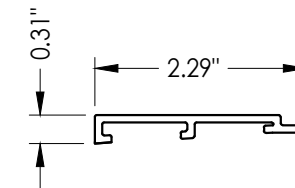
1 PVC JAMB



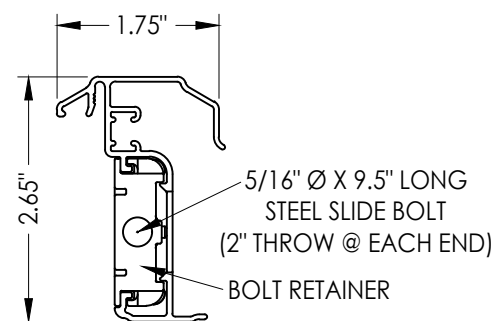
2 WOOD JAMB
FINGER JOINTED PINE



15 OUTSWING THRESHOLD
High-dam



16 OUTSWING SIDELITE ADAPTER



53 ENDURA ASTRAGAL
Ultimate Hurricane

CONCRETE ANCHOR NOTES:

- Concrete anchor locations at the corners may be adjusted to maintain the min. edge distance to mortar joints.
- Concrete anchor locations noted as "MAX. ON CENTER" must be adjusted to maintain the min. edge distance to mortar joints, additional concrete anchors may be required to ensure the "MAX. ON CENTER" dimension are not exceeded.
- Concrete anchor table:

ANCHOR TYPE	ANCHOR SIZE	MIN. EMBEDMENT	MIN. CLEARANCE TO MASONRY EDGE	MIN. CLEARANCE TO ADJACENT ANCHOR
ITW BUILDEX TAPCON®	3/16"	1-1/4"	3"	1-1/2"
	1/4"	1-1/4"	2"	4"
DeWALT ULTRACON®	1/4"	1-1/4"	1"	4"

WOOD SCREW INSTALLATION NOTES:

- Maintain a minimum 5/8" edge distance, 1" end distance, & 1" o.c. spacing of wood screws to prevent the splitting of wood.

Documents Prepared By:
Lyndon F. Schmidt
P.E. No. 43409

R.W. BUILDING CONSULTANTS, INC.
P.O. Box 230, Vairico, FL 33595
Phone No.: 813.659.9197
FBPE Registry No. 9813

PRODUCT: TRINITY
FIBERGLASS PATIO DOOR
"Impact"

PART OR ASSEMBLY:
BILL OF MATERIALS
& COMPONENTS

NO.	DATE	BY	REVISIONS

DATE: 6/13/23

SCALE: N.T.S.

DWG. BY: RW

CHK. BY: LFS

DRAWING NO.:
FL-37184.4

SHEET 12 OF 12