

10/18/2023 1:22 PM

s:\projects\trinity_glass_international\cc-23-1006 - fbc submittal - 2023 code change\dwgs\tgi014.dwg

Trinity Glass International

8'0" OPAQUE FIBERGLASS DOOR - INSWING/OUTSWING (HVHZ) (NON-IMPACT)



33615 1ST WAY S
FEDERAL WAY, WA 98003
PH: (253) 875-7300

INSTALLATION NOTES:

- ONE (1) INSTALLATION ANCHOR IS REQUIRED AT EACH ANCHOR LOCATION SHOWN.
- THE NUMBER OF INSTALLATION ANCHORS DEPICTED IS THE MINIMUM NUMBER OF ANCHORS TO BE USED FOR PRODUCT INSTALLATION OF THE MAXIMUM SIZE LISTED.
- INSTALL INDIVIDUAL INSTALLATION ANCHORS WITHIN A TOLERANCE OF ±1/2 INCH (I.E., WITHOUT CONSIDERATION OF TOLERANCES). TOLERANCES ARE NOT CUMULATIVE FROM ONE INSTALLATION ANCHOR TO THE NEXT.
- SHIM AS REQUIRED AT EACH INSTALLATION ANCHOR WITH LOAD BEARING SHIM(S). MAXIMUM ALLOWABLE SHIM STACK TO BE 1/4 INCH. SHIM WHERE SPACE OF 1/16 INCH OR GREATER OCCURS. SHIM(S) SHALL BE CONSTRUCTED OF HIGH DENSITY PLASTIC OR BETTER.
- THROUGH FRAME: FOR INSTALLATION INTO 2X WOOD FRAMING USE MINIMUM #10 WOOD SCREWS OF SUFFICIENT LENGTH TO ACHIEVE 1 1/2" MINIMUM EMBEDMENT INTO WOOD SUBSTRATE. MINIMUM EDGE DISTANCE OF 3/4" SHALL BE MAINTAINED.
- THROUGH FRAME: FOR INSTALLATION INTO CONCRETE/MASONRY, USE 1/4" ITW TAPCONS OR 1/4" DEWALT ULTRACON+ OR 3/16" ITW TAPCONS OF SUFFICIENT LENGTH TO ACHIEVE 1 1/4" MINIMUM EMBEDMENT INTO CONCRETE/MASONRY.
- MINIMUM EMBEDMENT AND EDGE DISTANCE EXCLUDE WALL FINISHES, INCLUDING BUT NOT LIMITED TO STUCCO, FOAM, BRICK VENEER, AND SIDING.
- INSTALLATION ANCHORS AND ASSOCIATED HARDWARE MUST BE MADE OF CORROSION RESISTANT MATERIAL OR HAVE A CORROSION RESISTANT COATING.
- FOR HOLLOW BLOCK AND GROUT FILLED BLOCK, DO NOT INSTALL INSTALLATION ANCHORS INTO MORTAR JOINTS. EDGE DISTANCE IS MEASURED FROM FREE EDGE OF BLOCK OR EDGE OF MORTAR JOINT INTO FACE SHELL OF BLOCK.
- INSTALLATION ANCHORS SHALL BE INSTALLED IN ACCORDANCE WITH ANCHOR MANUFACTURER'S INSTALLATION INSTRUCTIONS, AND ANCHORS SHALL NOT BE USED IN SUBSTRATES WITH STRENGTHS LESS THAN THE MINIMUM STRENGTH SPECIFIED BY THE ANCHOR MANUFACTURER.
- INSTALLATION ANCHOR CAPACITIES FOR PRODUCTS HEREIN ARE BASED ON SUBSTRATE MATERIALS WITH THE FOLLOWING PROPERTIES:
 - WOOD - MINIMUM SPECIFIC GRAVITY OF 0.55.
 - CONCRETE - MINIMUM 3000 PSI COMPRESSIVE STRENGTH
 - HOLLOW/GROUT FILLED CMU - STRENGTH CONFORMANCE TO ASTM C90, MIN. F'm = 2000 PSI.

GENERAL NOTES:

- THE PRODUCT SHOWN HEREIN IS DESIGNED AND MANUFACTURED TO COMPLY WITH THE CURRENT FLORIDA BUILDING CODE (FBC), INCLUDING HVHZ AND HAS BEEN EVALUATED ACCORDING TO THE FOLLOWING:
 - TAS 202-94
 - ASTM E283-19
 - ASTM E330-14
 - ASTM E331-00(16)
 - AAMA 1304-02
- ADEQUACY OF THE EXISTING STRUCTURAL CONCRETE/MASONRY AND 2X FRAMING AS A MAIN WIND FORCE RESISTING SYSTEM CAPABLE OF WITHSTANDING AND TRANSFERRING APPLIED PRODUCT LOADS TO THE FOUNDATION IS THE RESPONSIBILITY OF THE ENGINEER OR ARCHITECT OF RECORD FOR THE PROJECT OF INSTALLATION.
- 1X AND 2X BUCKS (WHEN USED) SHALL BE DESIGNED AND ANCHORED TO PROPERLY TRANSFER ALL LOADS TO THE STRUCTURE. BUCK DESIGN AND INSTALLATION IS THE RESPONSIBILITY OF THE ENGINEER OR ARCHITECT OF RECORD FOR THE PROJECT OF INSTALLATION.
- THE INSTALLATION DETAILS DESCRIBED HEREIN ARE GENERIC AND MAY NOT REFLECT ACTUAL CONDITIONS FOR A SPECIFIC SITE. IF SITE CONDITIONS CAUSE INSTALLATION TO DEVIATE FROM THE REQUIREMENTS DETAILED HEREIN, A LICENSED ENGINEER OR ARCHITECT SHALL PREPARE SITE SPECIFIC DOCUMENTS FOR USE WITH THIS DOCUMENT IN NON-HVHZ AREAS.
- APPROVED IMPACT PROTECTIVE SYSTEM **IS REQUIRED** FOR THIS PRODUCT.
- FRAME & MULLION MATERIAL: PVC OR WOOD
- CLADDING MATERIAL: FIBERGLASS

TABLE OF CONTENTS	
SHEET #	DESCRIPTION
1	GENERAL & INSTALLATION NOTES
2	TYPICAL ELEVATIONS, DESIGN PRESSURES
3	TYPICAL ELEVATIONS, DESIGN PRESSURES
4	TYPICAL ELEVATIONS, DESIGN PRESSURES
5	TYPICAL ELEVATIONS, DESIGN PRESSURES
6	DOOR PANEL CONSTRUCTION DETAILS
7	SIDELITE PANEL CONSTRUCTION DETAILS
8	HORIZONTAL CROSS SECTIONS
9	HORIZONTAL CROSS SECTIONS
10	HORIZONTAL CROSS SECTIONS
11	VERTICAL CROSS SECTIONS
12	VERTICAL CROSS SECTIONS
13	VERTICAL & HORIZONTAL CROSS SECTIONS
14	HORIZONTAL CROSS SECTIONS
15	BUCK ANCHORING
16	FRAME ANCHORING
17	BUCK ANCHORING
18	FRAME ANCHORING
19	FRAME ANCHORING
20	FRAME ANCHORING
21	FRAME ANCHORING
22	BUCK ANCHORING
23	FRAME ANCHORING
24	BUCK ANCHORING
25	FRAME ANCHORING
26	COMPONENTS
27	COMPONENTS
28	BILL OF MATERIALS

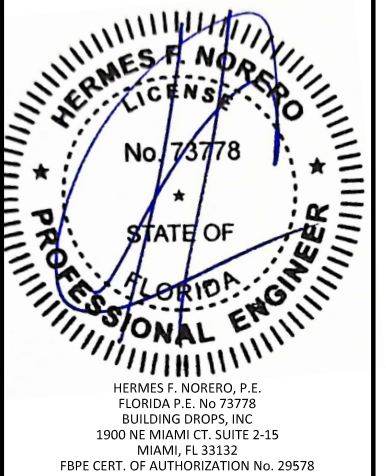
TITLE: 8'0" OPAQUE FIBERGLASS DOOR - INSWING/OUTSWING (HVHZ) (NON-IMPACT)

GENERAL & INSTALLATION NOTES

PREPARED BY: BUILDING DROPS, INC.
1900 NE MIAMI CT, SUITE 2-15
MIAMI, FL 33132
PH: (954) 399-8478
FAX: (954) 744-4738
WEB: www.buildingdrops.com

REMARKS	BY	DATE
2023 FBC UPDATE	MS	10/11/23

THE INSTALLATION DETAILS DESCRIBED HEREIN ARE GENERIC AND MAY NOT REFLECT ACTUAL CONDITIONS FOR A SPECIFIC SITE. IF SITE CONDITIONS CAUSE INSTALLATION TO DEVIATE FROM THE REQUIREMENTS DETAILED HEREIN, A LICENSED ENGINEER OR ARCHITECT SHALL PREPARE SITE SPECIFIC DOCUMENTS FOR USE WITH THIS DOCUMENT.



HERMES F. NORERO, P.E.
FLORIDA P.E. No. 73778
BUILDING DROPS, INC.
1900 NE MIAMI CT, SUITE 2-15
MIAMI, FL 33132
FBPE CERT. OF AUTHORIZATION No. 29578

FL #: **FL20867**

DATE: **07.14.2016**

DWG. BY: **LS** CHK. BY: **HFN**

SCALE: **NTS**

DWG. #: **TGI014**

SHEET: **1**

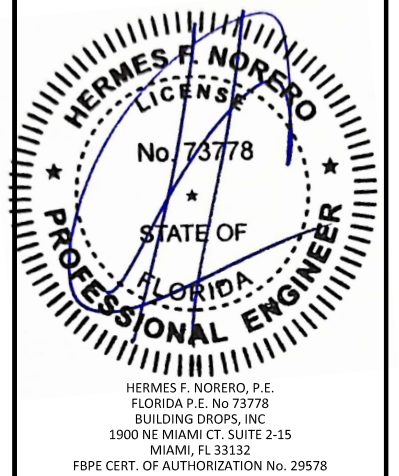
OF 28

TITLE: 8'0" OPAQUE FIBERGLASS
 DOOR - INSWING/OUTSWING
 (HVHZ) (NON-IMPACT)
 TYPICAL ELEVATION AND
 DESIGN PRESSURE

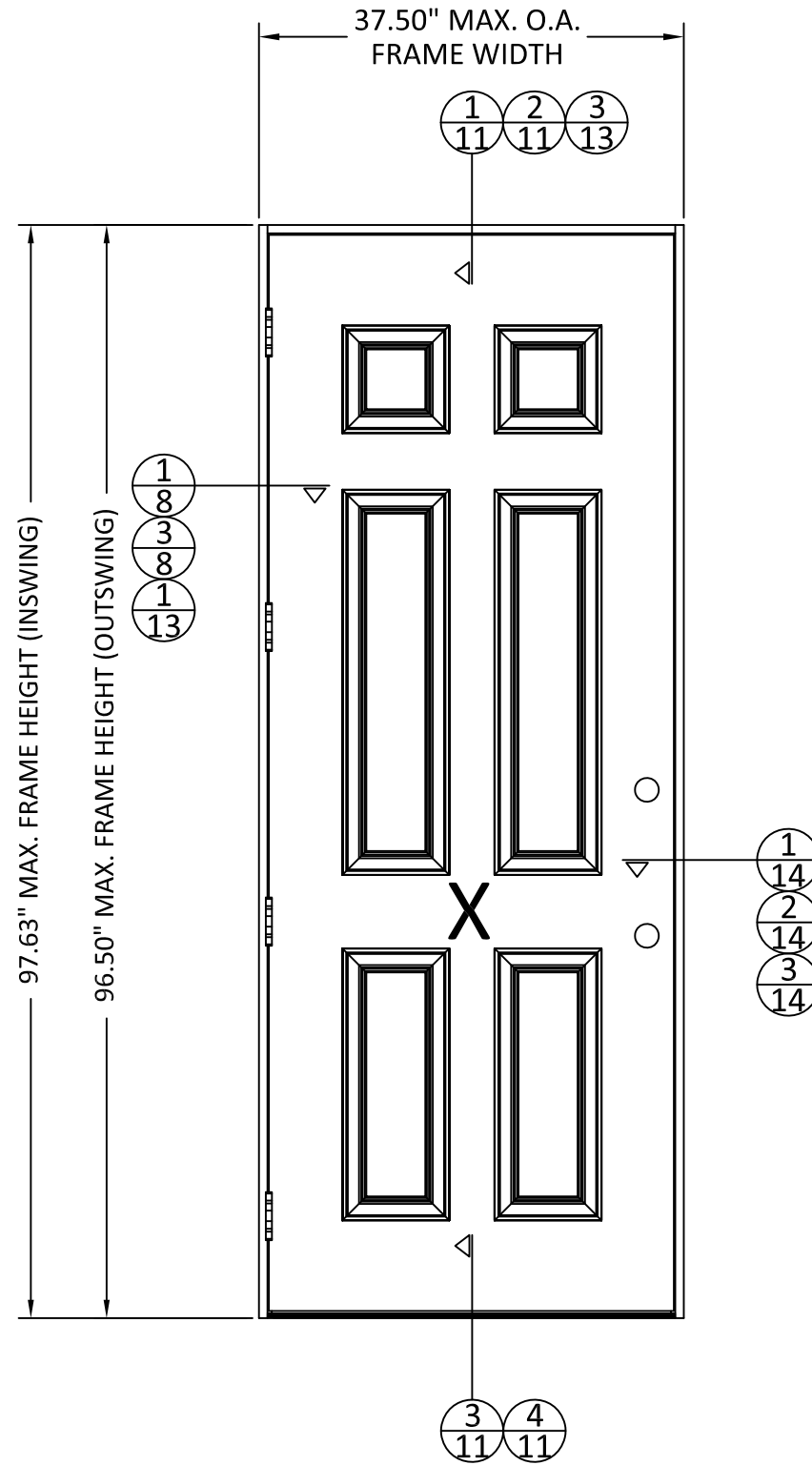
PREPARED BY:
 **BUILDING DROPS, INC.**
 1900 NE MIAMI CT, SUITE 2-15
 MIAMI, FL 33132
 PH: (954) 399-8478
 FAX: (954) 744-4738
 WEB: www.buildingdrops.com

REMARKS	BY	DATE
2023 FBC UPDATE	MS	10/11/23

THE INSTALLATION DETAILS DESCRIBED HEREIN ARE GENERIC AND MAY NOT REFLECT ACTUAL CONDITIONS FOR A SPECIFIC SITE. IF SITE CONDITIONS CAUSE INSTALLATION TO DEVIATE FROM THE REQUIREMENTS DETAILED HEREIN, A LICENSED ENGINEER OR ARCHITECT SHALL PREPARE SITE SPECIFIC DOCUMENTS FOR USE WITH THIS DOCUMENT.



FL #:	FL20867
DATE:	07.14.2016
DWG. BY:	LS
CHK. BY:	HFN
SCALE:	NTS
DWG. #:	TGI014
SHEET:	2



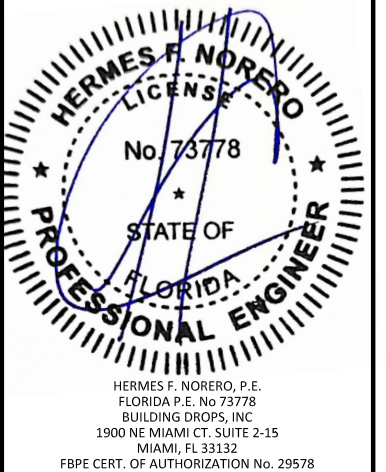
MAX. FRAME DIMENSION	DESIGN PRESSURE (PSF)	
	POSITIVE	NEGATIVE
37.50" X 97.63"	+70.0	-70.0

TITLE: 8'0" OPAQUE FIBERGLASS
DOOR - INSWING/OUTSWING
(HVHZ) (NON-IMPACT)
TYPICAL ELEVATION AND
DESIGN PRESSURE

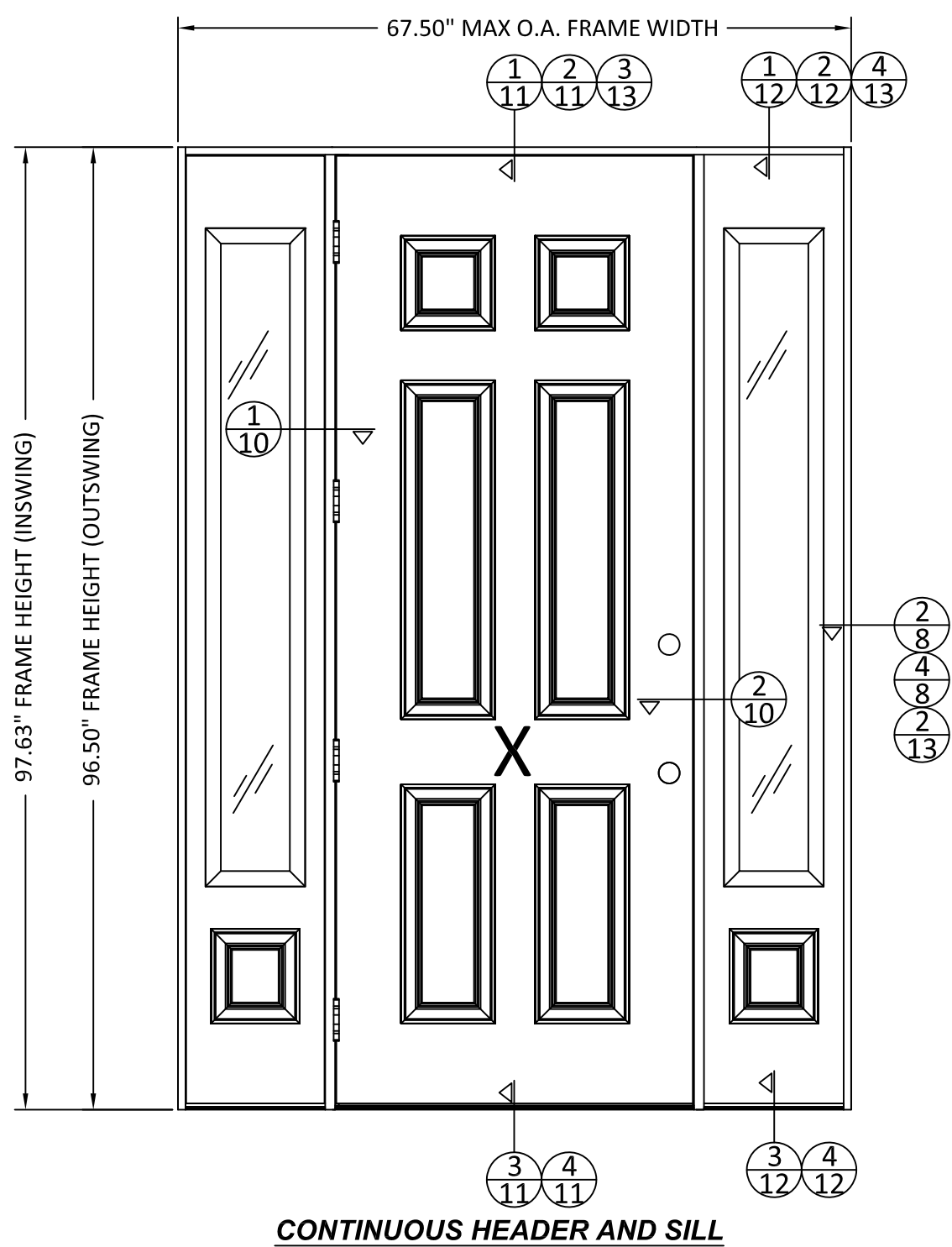
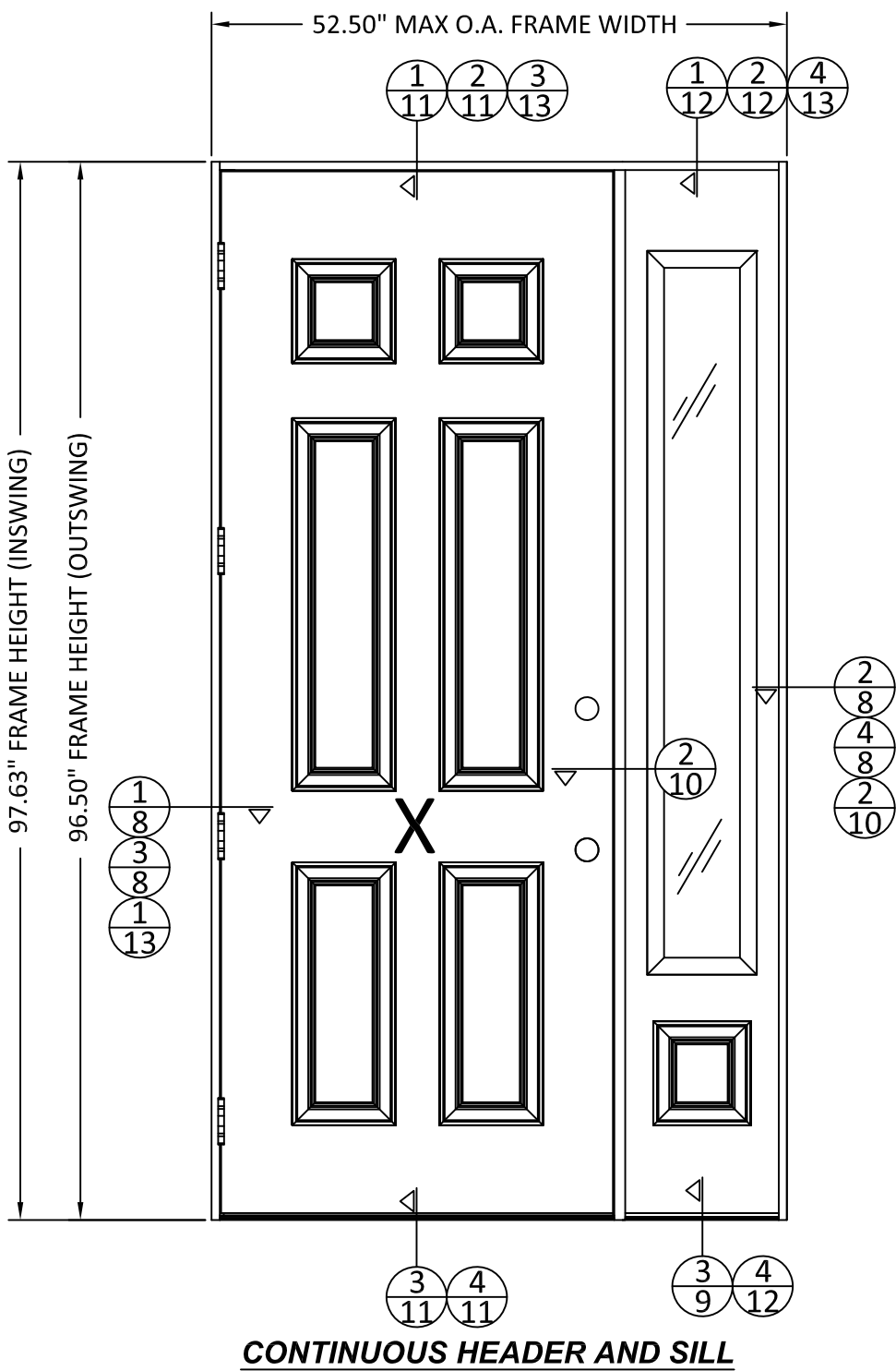
PREPARED BY:
 BUILDING DROPS, INC.
1900 NE MIAMI CT. SUITE 2-15
MIAMI, FL 33132
PH: (954) 399-8478
FAX: (954) 744-4738
WEB: www.buildingdrops.com

REMARKS	BY	DATE
2023 FBC UPDATE	MS	10/11/23

THE INSTALLATION DETAILS DESCRIBED HEREIN ARE GENERIC AND MAY NOT REFLECT ACTUAL CONDITIONS FOR A SPECIFIC SITE. IF SITE CONDITIONS CAUSE INSTALLATION TO DEVIATE FROM THE REQUIREMENTS DETAILED HEREIN, A LICENSED ENGINEER OR ARCHITECT SHALL PREPARE SITE SPECIFIC DOCUMENTS FOR USE WITH THIS DOCUMENT.



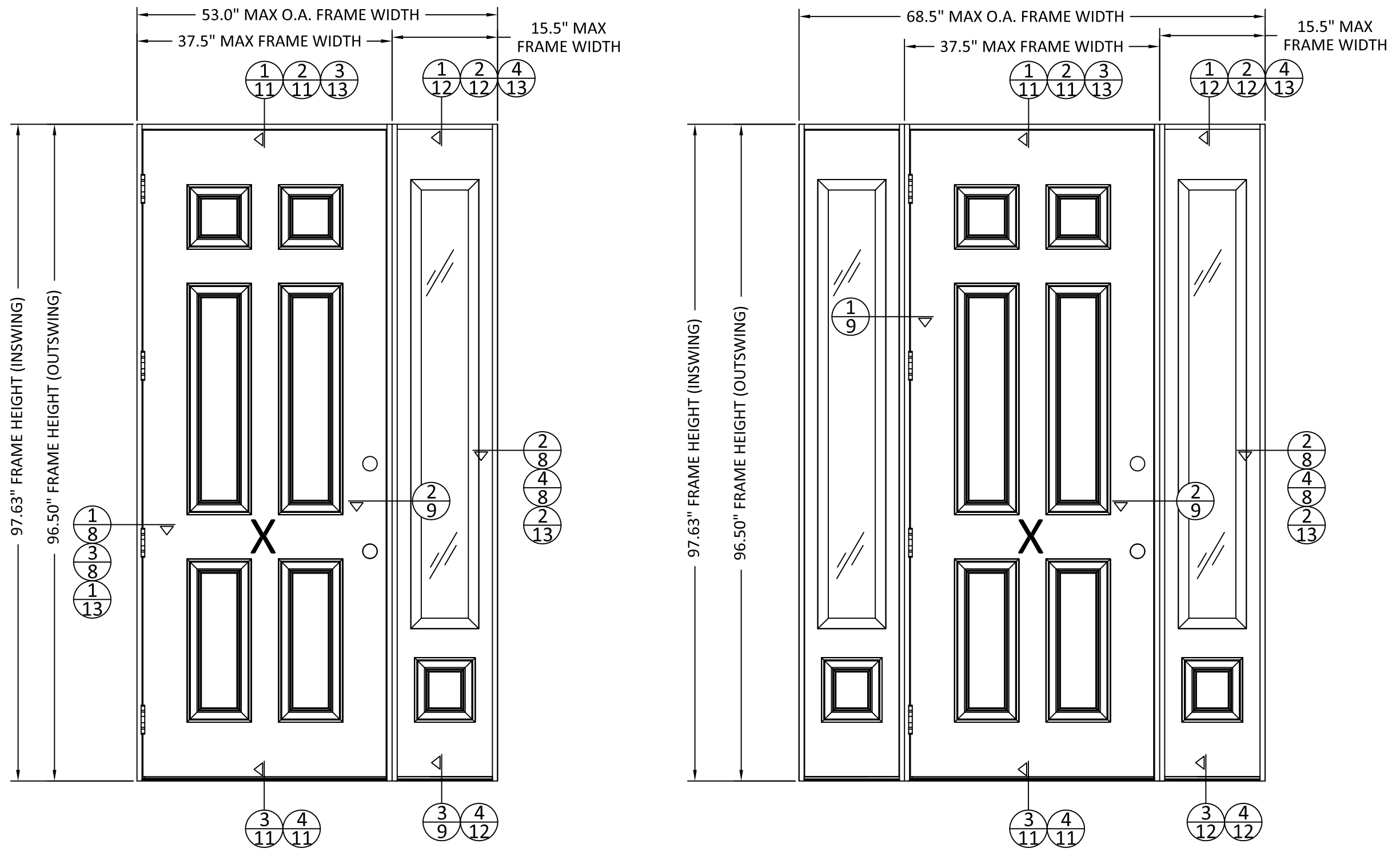
FL #:	FL20867
DATE:	07.14.2016
DWG. BY:	LS
CHK. BY:	HFN
SCALE:	NTS
DWG. #:	TGI014
SHEET:	3



CONFIGURATION	MAX. FRAME DIMENSION	DESIGN PRESSURE (PSF)	
		POSITIVE	NEGATIVE
OXIXO	52.50" X 97.63"	+47.0	-47.0
OXO	67.50" X 97.63"	+47.0	-47.0

10/18/2023 1:22 PM

s:\projects\trinity_glass_international\cc-23-1006 - fbc submittal - 2023 code change\dwg\tgi014.dwg



CONFIGURATION	MAX. FRAME DIMENSION	DESIGN PRESSURE (PSF)	
		POSITIVE	NEGATIVE
OX/XO	53.00" X 97.63"	+47.0	-47.0
OXO	68.50" X 97.63"	+47.0	-47.0



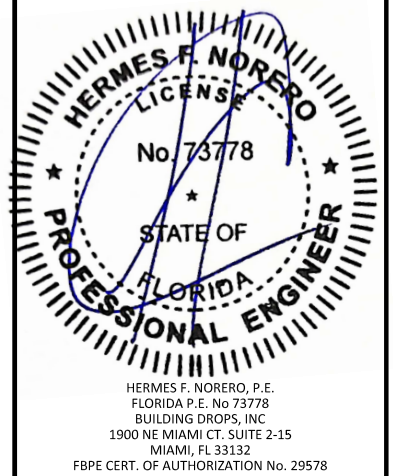
33615 1ST WAY S
FEDERAL WAY, WA 98003
PH: (253) 875-7300

TITLE: 8'0" OPAQUE FIBERGLASS
DOOR - INSWING/OUTSWING
(HVHZ) (NON-IMPACT)
TYPICAL ELEVATION AND
DESIGN PRESSURE

PREPARED BY:
BUILDING DROPS, INC.
1900 NE MIAMI CT. SUITE 2-15
MIAMI, FL 33132
PH: (954) 399-8478
FAX: (954) 744-4738
WEB: www.buildingdrops.com

REMARKS	BY	DATE
2023 FBC UPDATE	MS	10/11/23

THE INSTALLATION DETAILS DESCRIBED HEREIN ARE GENERIC AND MAY NOT REFLECT ACTUAL CONDITIONS FOR A SPECIFIC SITE. IF SITE CONDITIONS CAUSE INSTALLATION TO DEVIATE FROM THE REQUIREMENTS DETAILED HEREIN, A LICENSED ENGINEER OR ARCHITECT SHALL PREPARE SITE SPECIFIC DOCUMENTS FOR USE WITH THIS DOCUMENT.



FL #: **FL20867**

DATE: **07.14.2016**

DWG. BY: **LS** CHK. BY: **HFN**

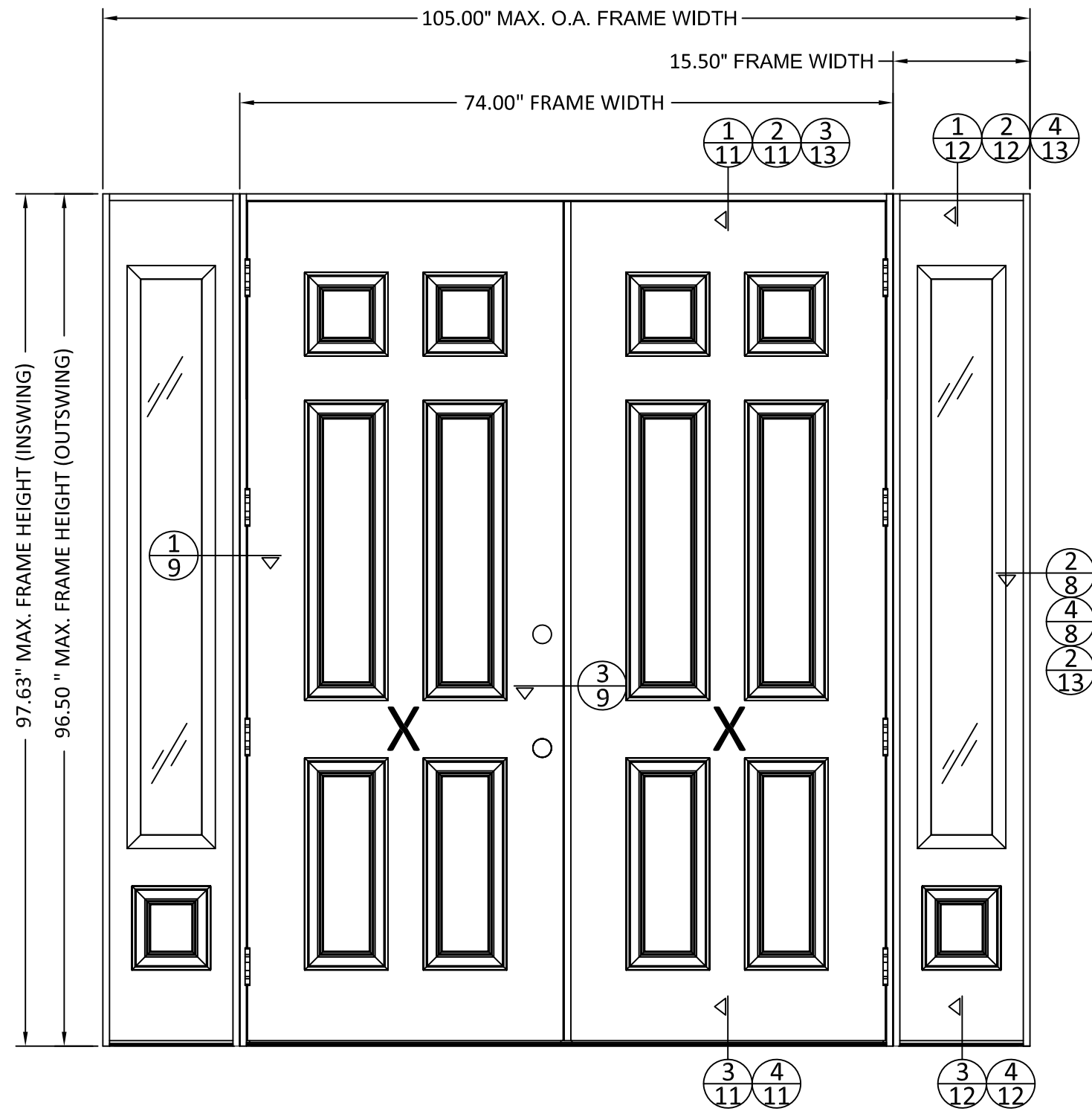
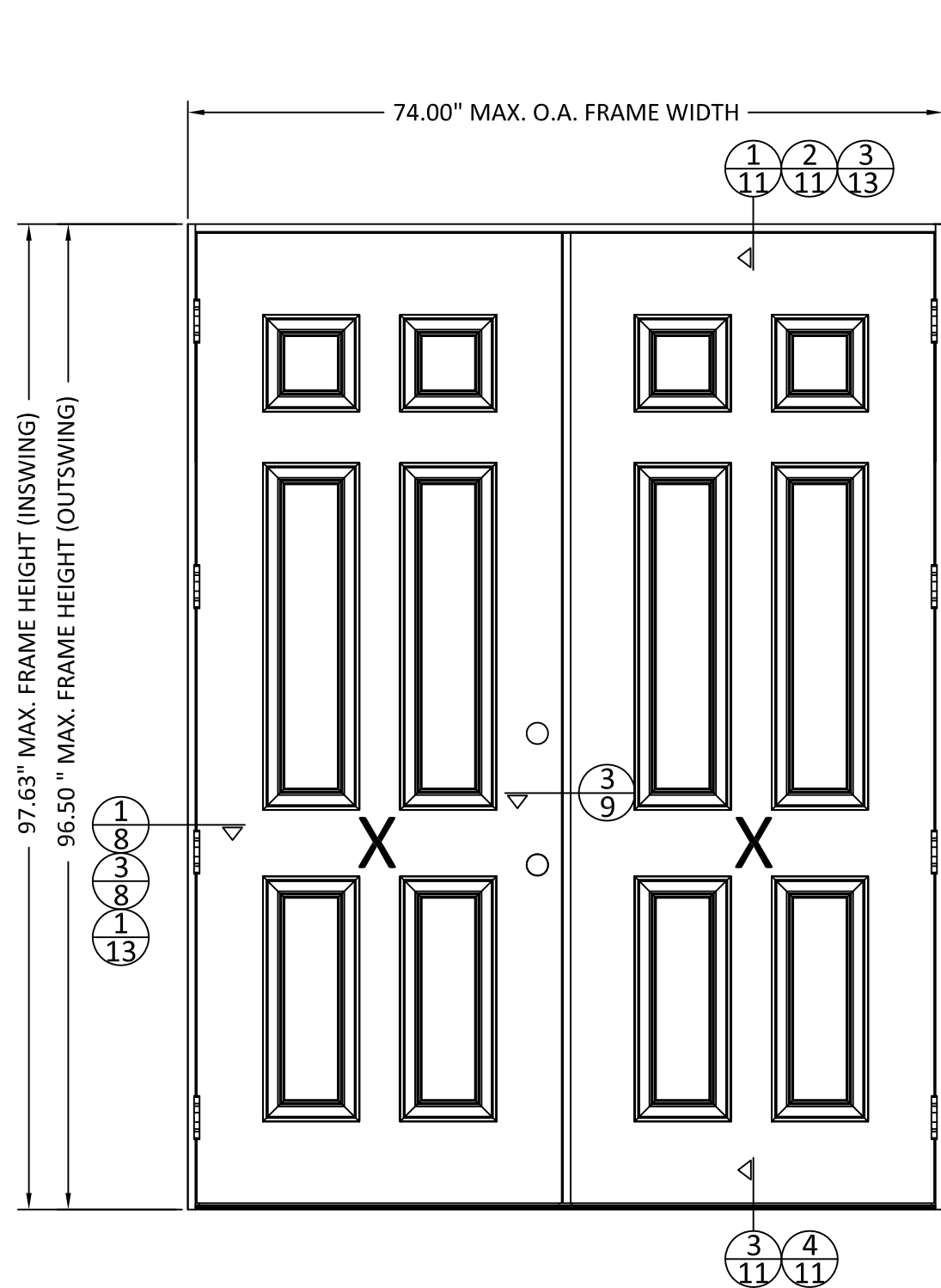
SCALE: **NTS**

DWG. #: **TGI014**

SHEET: **4**

10/18/2023 1:22 PM

s:\projects\trinity_glass_international\cc-23-1006 - fbc submittal - 2023 code change\dwg\tgi014.dwg



CONFIGURATION	MAX. FRAME DIMENSION	DESIGN PRESSURE (PSF)	
		POSITIVE	NEGATIVE
XX	74.00" X 97.63"	+47.0	-47.0
OXXO	105.00" X 97.63"	+47.0	-47.0



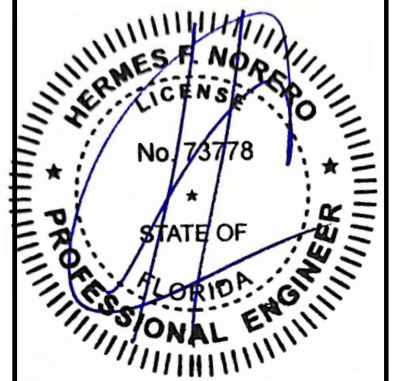
33615 1ST WAY S
FEDERAL WAY, WA 98003
PH: (253) 875-7300

TITLE: 8'0" OPAQUE FIBERGLASS
DOOR - INSWING/OUTSWING
(HVHZ) (NON-IMPACT)
TYPICAL ELEVATION AND
DESIGN PRESSURE

PREPARED BY:
BUILDING DROPS, INC.
1900 NE MIAMI CT. SUITE 2-15
MIAMI, FL 33132
PH: (954) 309-8478
FAX: (954) 744-4738
WEB: www.buildingdrops.com

REMARKS	BY	DATE
2023 FBC UPDATE	MS	10/11/23

THE INSTALLATION DETAILS DESCRIBED HEREIN ARE GENERIC AND MAY NOT REFLECT ACTUAL CONDITIONS FOR A SPECIFIC SITE. IF SITE CONDITIONS CAUSE INSTALLATION TO DEVIATE FROM THE REQUIREMENTS DETAILED HEREIN, A LICENSED ENGINEER OR ARCHITECT SHALL PREPARE SITE SPECIFIC DOCUMENTS FOR USE WITH THIS DOCUMENT.

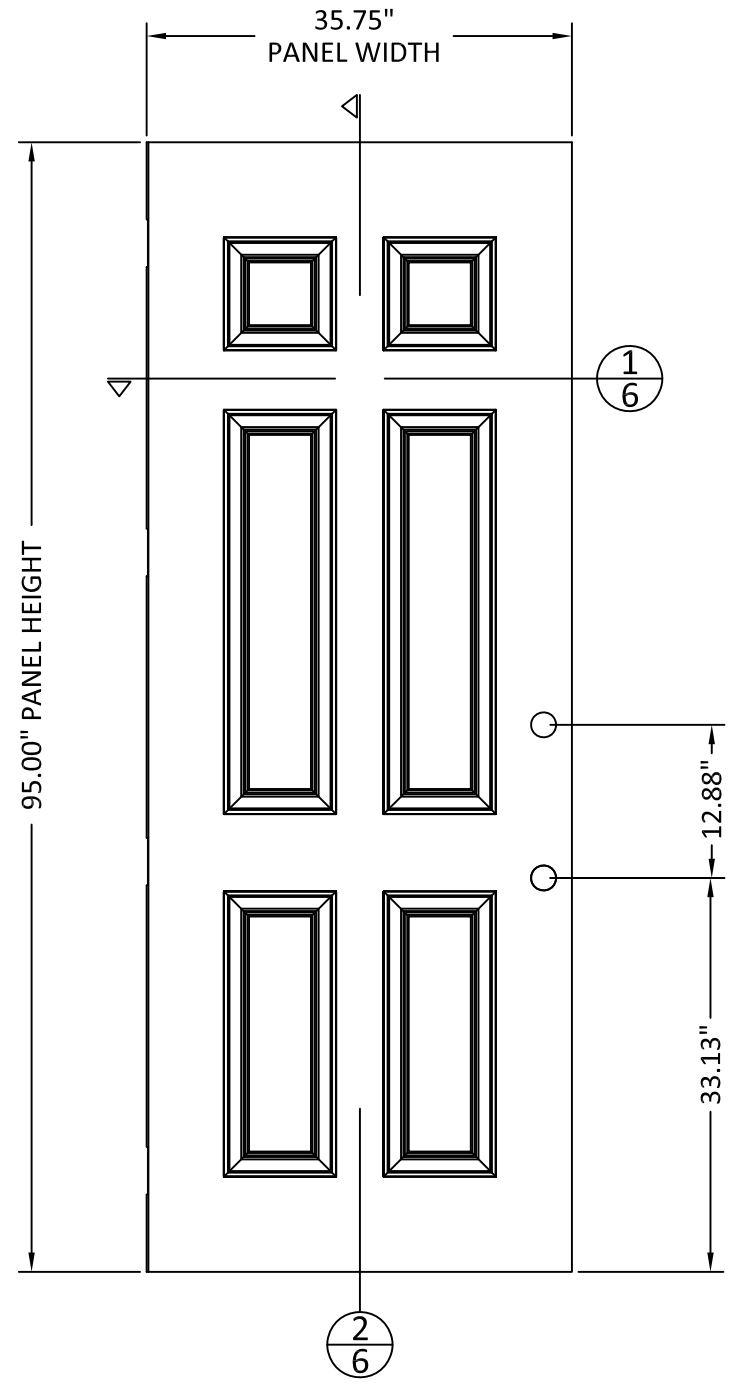


HERMES F. NORERO, P.E.
FLORIDA P.E. No. 73778
BUILDING DROPS, INC.
1900 NE MIAMI CT. SUITE 2-15
MIAMI, FL 33132
FBPE CERT. OF AUTHORIZATION No. 29578

FL #:	FL20867
DATE:	07.14.2016
DWG. BY:	LS
CHK. BY:	HFN
SCALE:	NTS
DWG. #:	TGI014
SHEET:	5

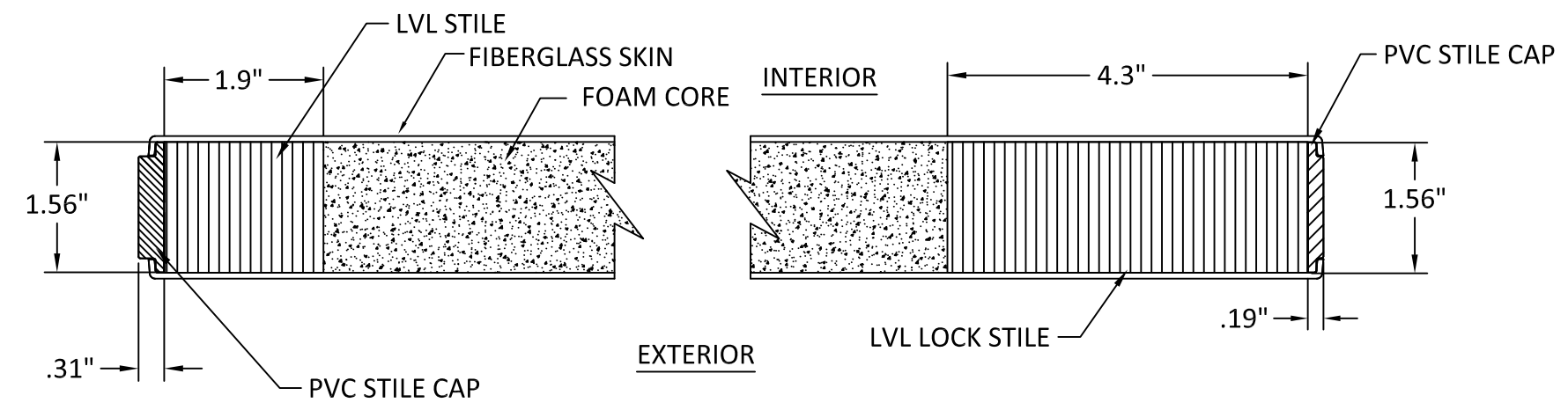
10/18/2023 1:22 PM

s:\projects\trinity_glass_international\cc-23-1006 - fbc submittal - 2023 code change\dwg\tgi014.dwg

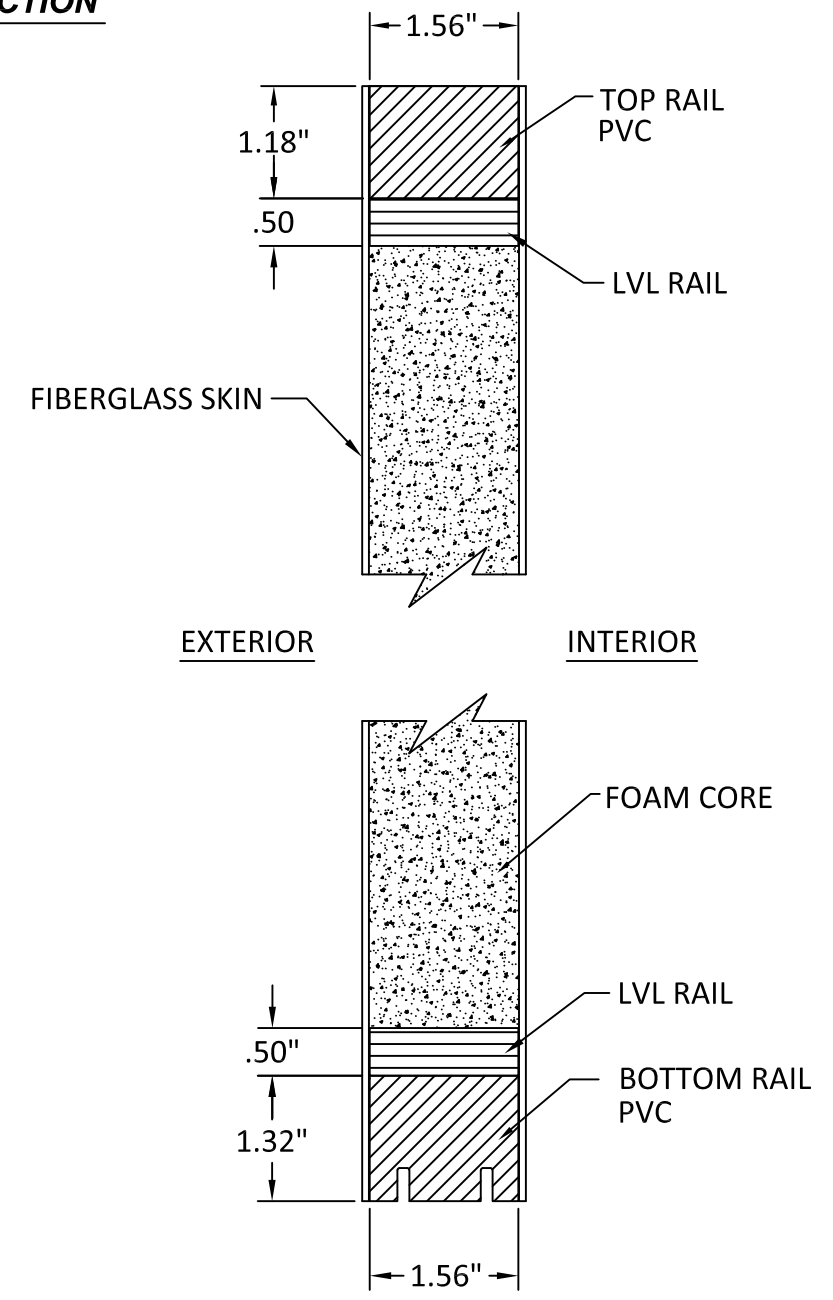


11 OPAQUE DOOR

FIBERGLASS SKIN: 0.079" THICK MIN.
FOAM CORE: POLYURETHANE



1/6 HORIZONTAL CROSS SECTION



2/6 VERTICAL CROSS SECTION

LOCKSET HARDWARE	
MANUFACTURER	MODEL
KWIKSET	LOCK & DEADBOLT COMBO SIGNATURE SERIES 980

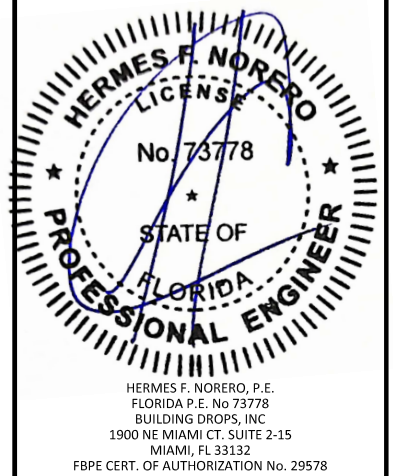


33615 1ST WAY S
FEDERAL WAY, WA 98003
PH: (253) 875-7300

TITLE: 8'0" OPAQUE FIBERGLASS DOOR - INSWING/OUTSWING (HVHZ) (NON-IMPACT) DOOR PANEL CONSTRUCTION DETAILS
PREPARED BY: BUILDING DROPS, INC.
1900 NE MIAMI CT. SUITE 2-15 MIAMI, FL 33132
PH: (954) 399-8478
FAX: (954) 744-4738
WEB: www.buildingdrops.com

REMARKS	BY	DATE
2023 FBC UPDATE	MS	10/11/23

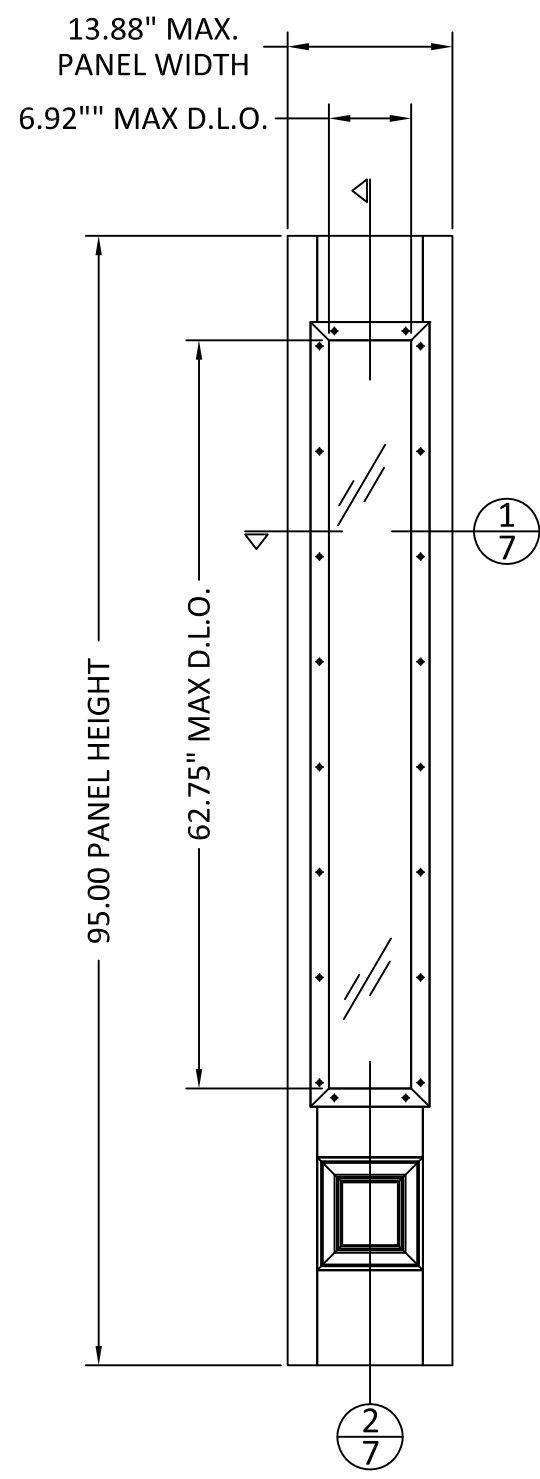
THE INSTALLATION DETAILS DESCRIBED HEREIN ARE GENERIC AND MAY NOT REFLECT ACTUAL CONDITIONS FOR A SPECIFIC SITE. IF SITE CONDITIONS CAUSE INSTALLATION TO DEVIATE FROM THE REQUIREMENTS DETAILED HEREIN, A LICENSED ENGINEER OR ARCHITECT SHALL PREPARE SITE SPECIFIC DOCUMENTS FOR USE WITH THIS DOCUMENT.



FL #: FL20867
DATE: 07.14.2016
DWG. BY: LS
CHK. BY: HFN
SCALE: NTS
DWG. #: TGI014
SHEET: 6
OF 28

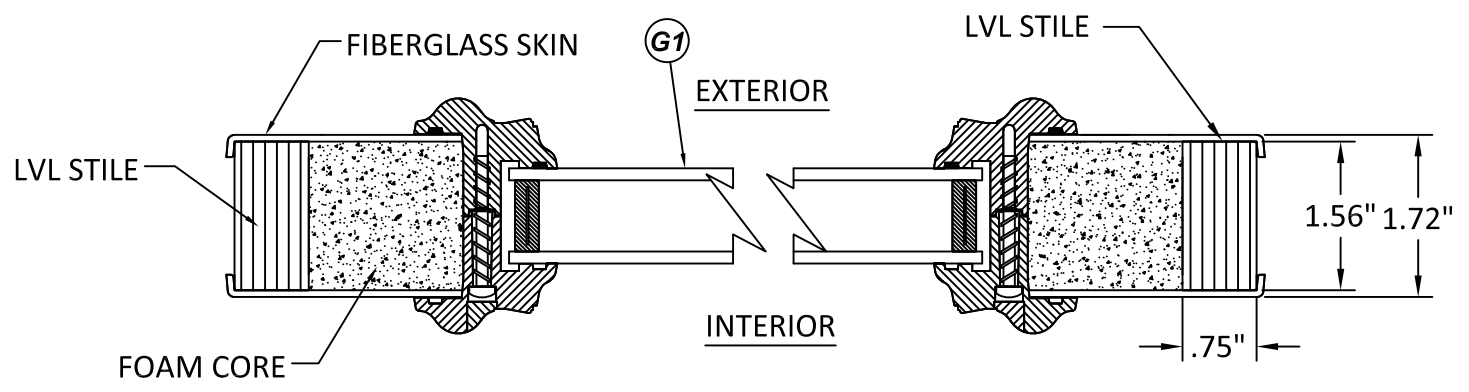
10/18/2023 1:22 PM

s:\projects\trinity_glass_international\cc-23-1006 - fbc submittal - 2023 code change\dwg\tgi014.dwg

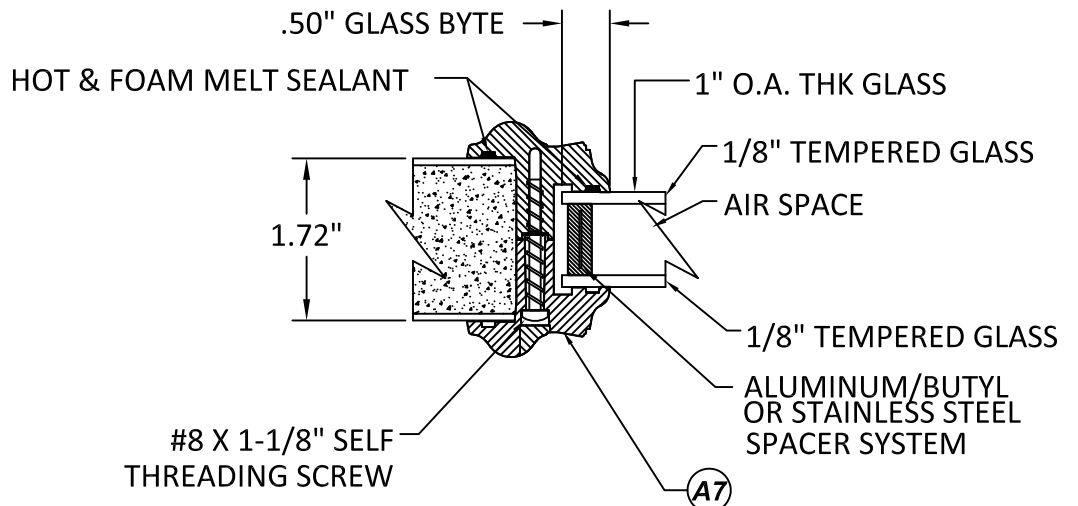


12 SIDELITE PANEL
LIPLITE FRAME

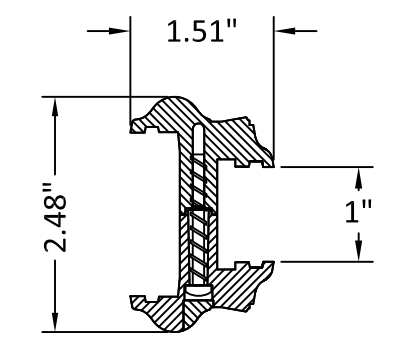
FIBERGLASS SKIN: 0.079" THICK MIN.
FOAM CORE: POLYURETHANE



1 HORIZONTAL CROSS SECTION

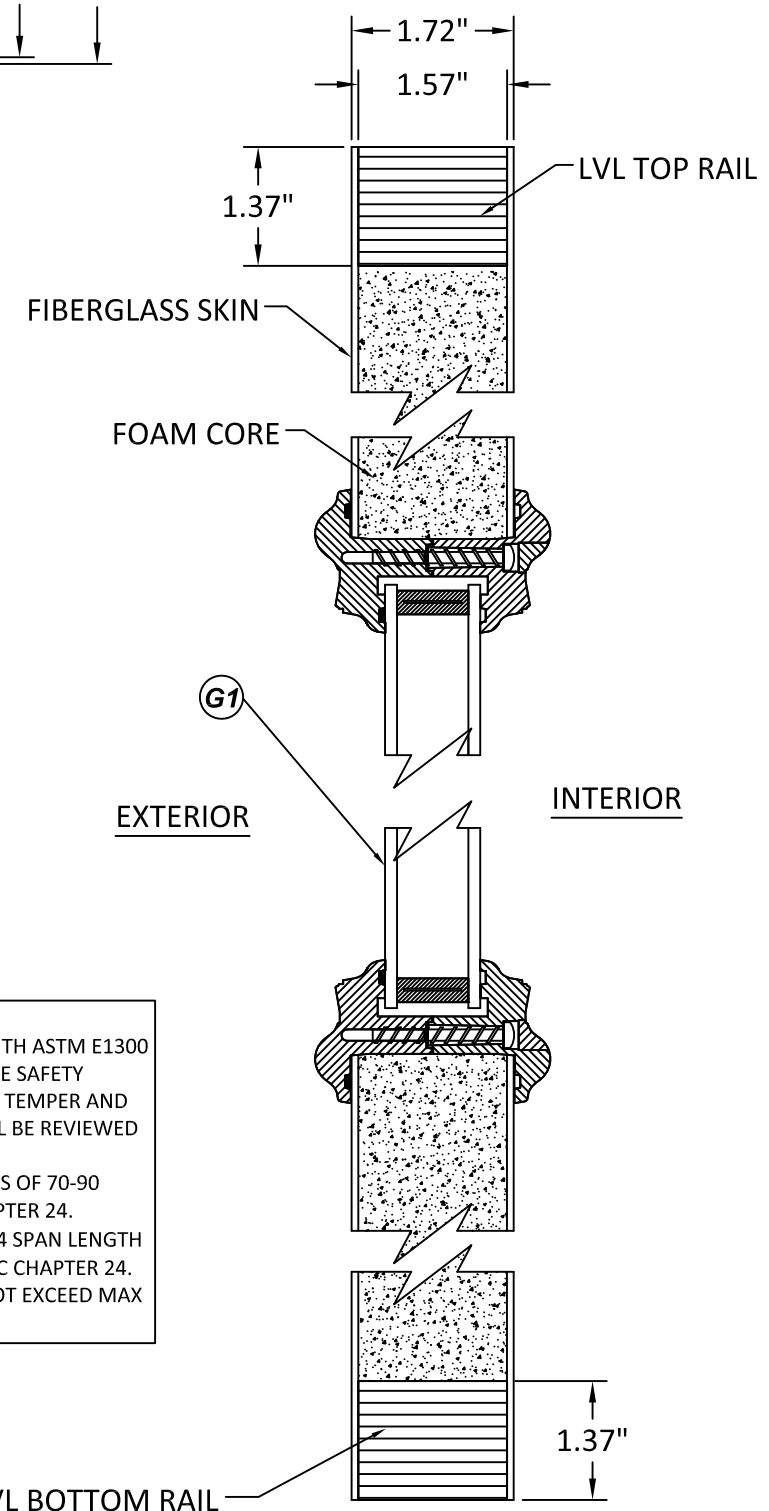


G1 GLAZING DETAIL
LIPLITE FRAME



A7 LIPLITE FRAME
ABS or PC/ASA

- GLAZING NOTES:**
- GLASS TYPE & THICKNESS COMPLIES WITH ASTM E1300 REQUIREMENTS AS WELL AS APPLICABLE SAFETY GLAZING REQUIREMENTS PER THE FBC. TEMPER AND SAFETY GLAZING REQUIREMENTS SHALL BE REVIEWED ON A SITE SPECIFIC BASIS.
 - SETTING BLOCK DUROMETER HARDNESS OF 70-90 (SHORE A) AS REFERENCED IN FBC CHAPTER 24.
 - SETTING BLOCKS TO BE LOCATED AT 1/4 SPAN LENGTH FOR GLASS WIDER THAN 36" AS PER FBC CHAPTER 24.
 - D.L.O. AND DESIGN PRESSURES MAY NOT EXCEED MAX VALUES IN SHEETS 2 - 7.



2 VERTICAL CROSS SECTION



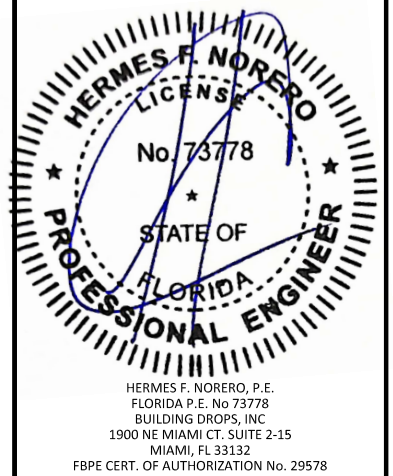
33615 1ST WAY S
FEDERAL WAY, WA 98003
PH: (253) 875-7300

TITLE: 8'0" OPAQUE FIBERGLASS
DOOR - INSWING/OUTSWING
(HVHZ) (NON-IMPACT)
SIDELITE PANEL
CONSTRUCTION DETAILS

PREPARED BY: BUILDING DROPS, INC.
1900 NE MIAMI CT. SUITE 2-15
MIAMI, FL 33132
PH: (954) 399-8478
FAX: (954) 744-4738
WEB: www.buildingdrops.com

REMARKS	BY	DATE
2023 FBC UPDATE	MS	10/11/23

THE INSTALLATION DETAILS DESCRIBED HEREIN ARE GENERIC AND MAY NOT REFLECT ACTUAL CONDITIONS FOR A SPECIFIC SITE. IF SITE CONDITIONS CAUSE INSTALLATION TO DEVIATE FROM THE REQUIREMENTS DETAILED HEREIN, A LICENSED ENGINEER OR ARCHITECT SHALL PREPARE SITE SPECIFIC DOCUMENTS FOR USE WITH THIS DOCUMENT.



FL #: **FL20867**

DATE: **07.14.2016**

DWG. BY: **LS** CHK. BY: **HFN**

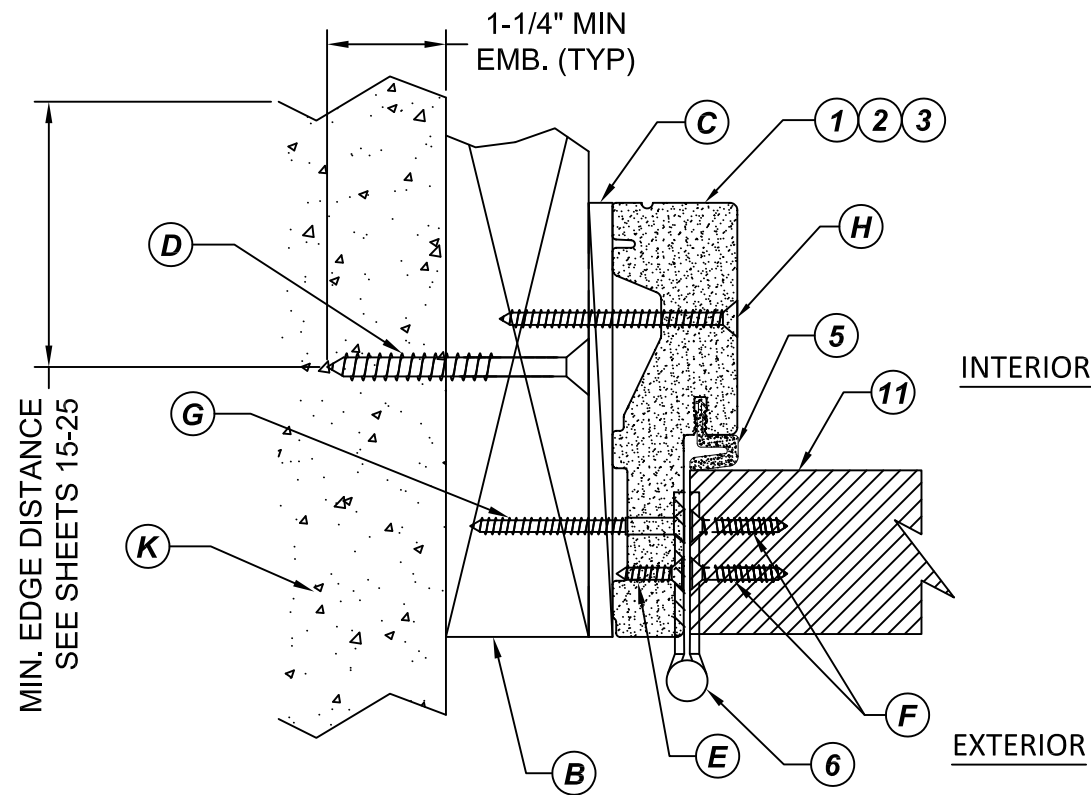
SCALE: **NTS**

DWG. #: **TGI014**

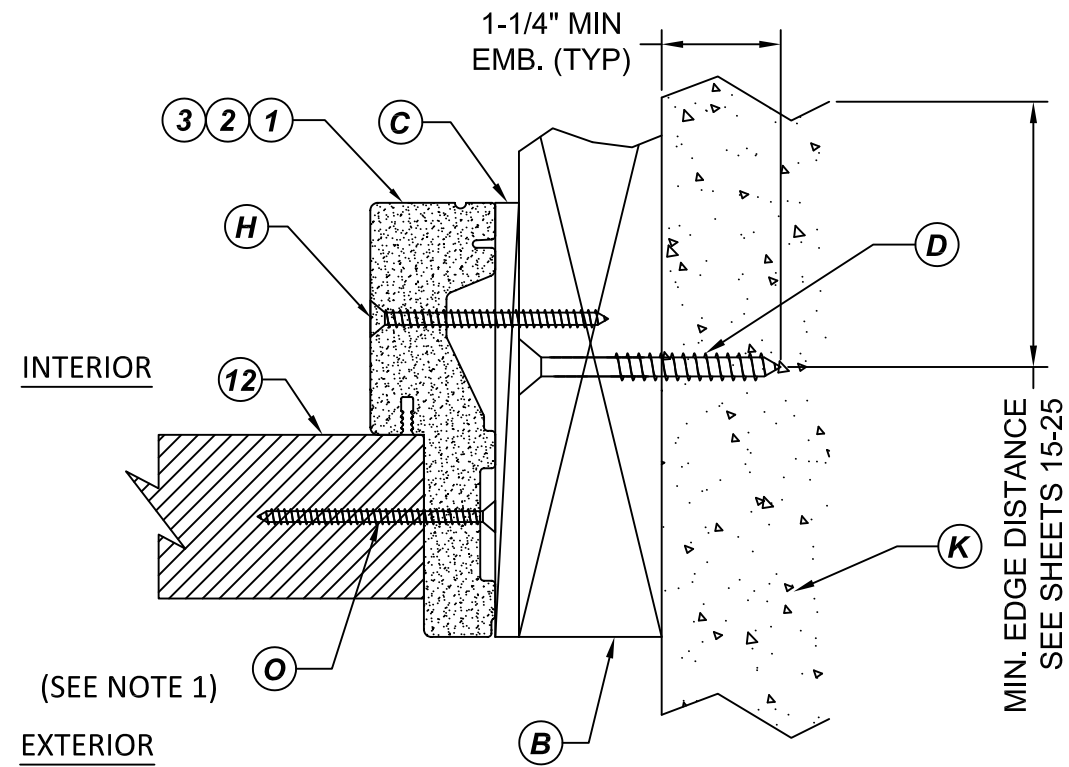
SHEET:

7

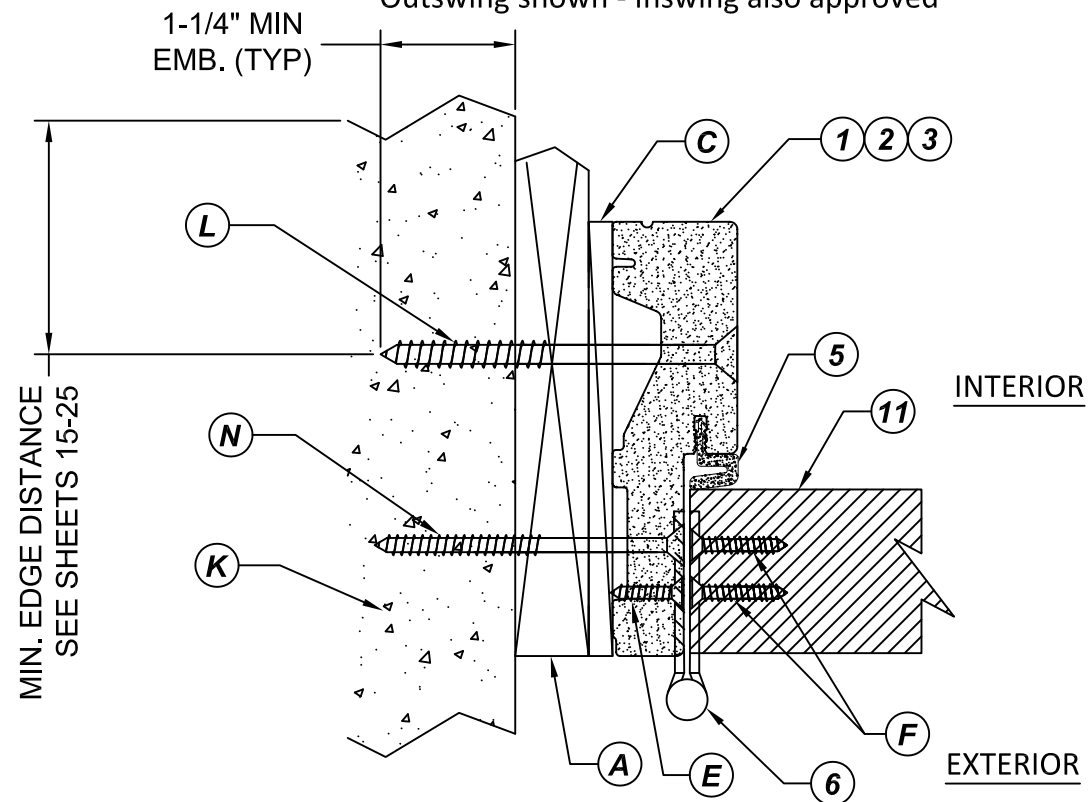
10/18/2023 1:23 PM



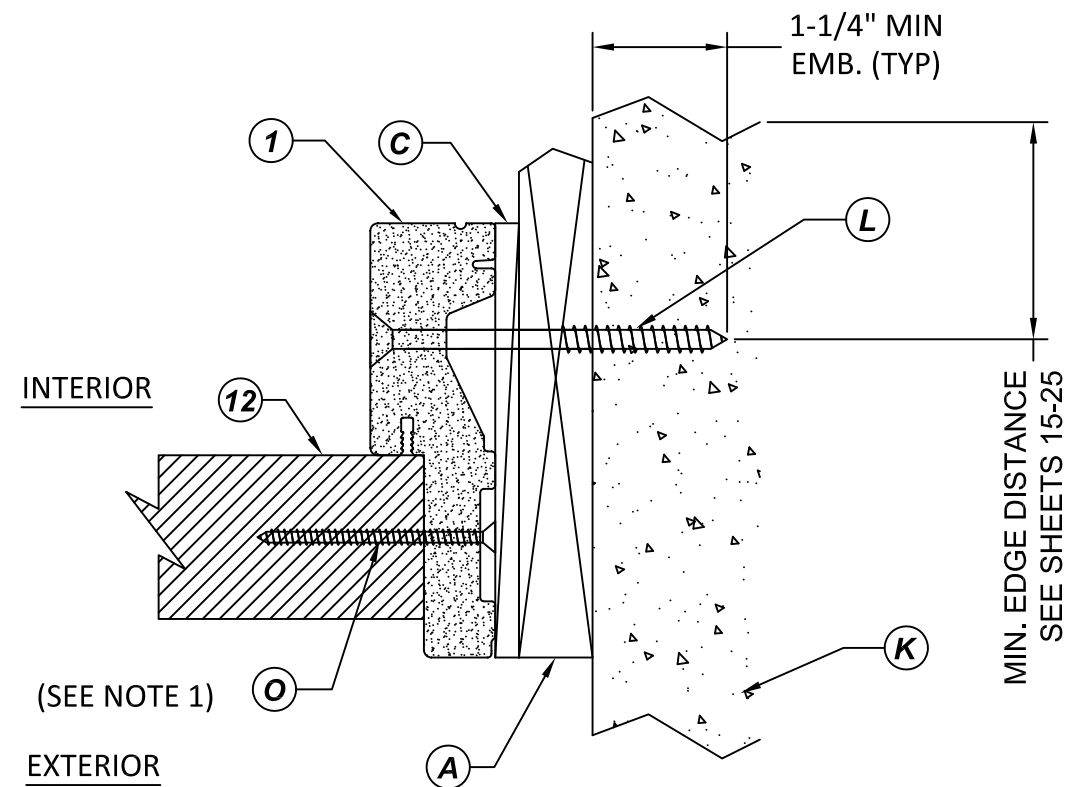
1
8 **HORIZONTAL CROSS SECTION**
SHOWN W/ 2X WOOD BUCK
Outswing shown - Inswing also approved



2
8 **HORIZONTAL CROSS SECTION**
SHOWN W/ 2X WOOD BUCK
Outswing shown - Inswing also approved



3
8 **HORIZONTAL CROSS SECTION**
SHOWN W/ 1X WOOD BUCK
Outswing shown - Inswing also approved



4
8 **HORIZONTAL CROSS SECTION**
SHOWN W/ 1X WOOD BUCK
Outswing shown - Inswing also approved

NOTE:
1. SIDELITE SCREWS LOCATED 6" FROM EACH END OF SIDE JAMB AND 6 EQUALLY SPACED SCREWS FROM THE END SCREWS (TOTAL 8 SCREWS).



33615 1ST WAY S
FEDERAL WAY, WA 98003
PH: (253) 875-7300

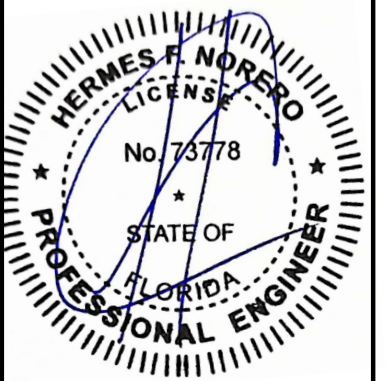
TITLE: 8'0" OPAQUE FIBERGLASS
DOOR - INSWING/OUTSWING
(HVHZ) (NON-IMPACT)
HORIZONTAL
CROSS SECTIONS

PREPARED BY:
BUILDING DROPS, INC.
1900 NE MIAMI CT. SUITE 2-15
MIAMI, FL 33132
PH: (954) 399-8478
FAX: (954) 744-4738
WEB: www.buildingdrops.com



REMARKS	BY	DATE
2023 FBC UPDATE	MS	10/11/23

THE INSTALLATION DETAILS DESCRIBED HEREIN ARE GENERIC AND MAY NOT REFLECT ACTUAL CONDITIONS FOR A SPECIFIC SITE. IF SITE CONDITIONS CAUSE INSTALLATION TO DEVIATE FROM THE REQUIREMENTS DETAILED HEREIN, A LICENSED ENGINEER OR ARCHITECT SHALL PREPARE SITE SPECIFIC DOCUMENTS FOR USE WITH THIS DOCUMENT.

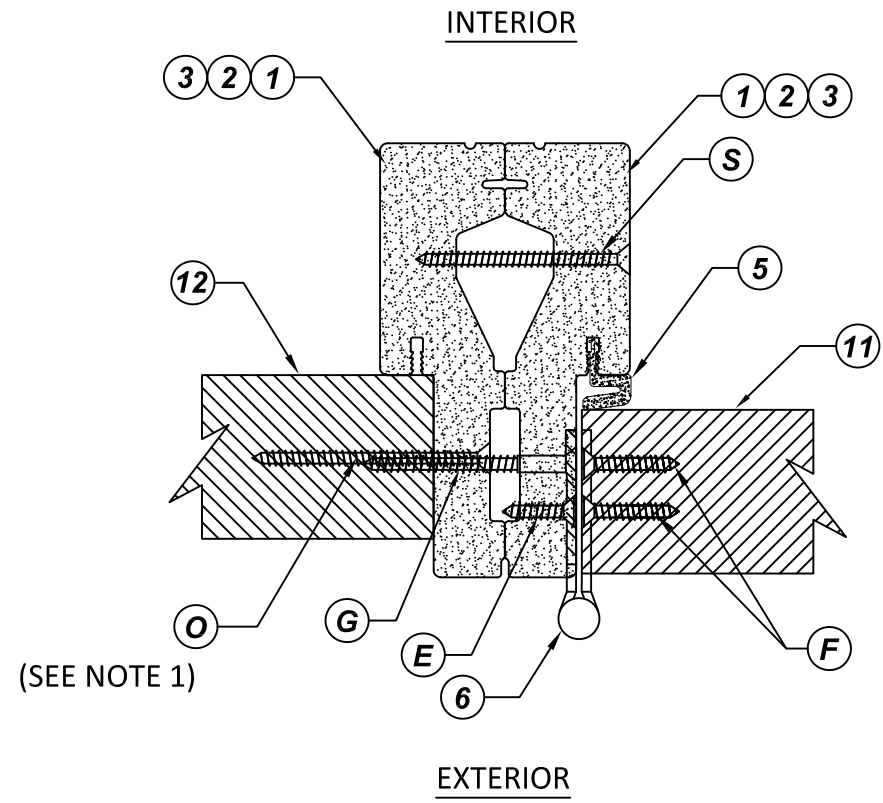


HERMES F. NORERO, P.E.
FLORIDA P.E. No. 73778
BUILDING DROPS, INC.
1900 NE MIAMI CT. SUITE 2-15
MIAMI, FL 33132
FBPE CERT. OF AUTHORIZATION No. 29578

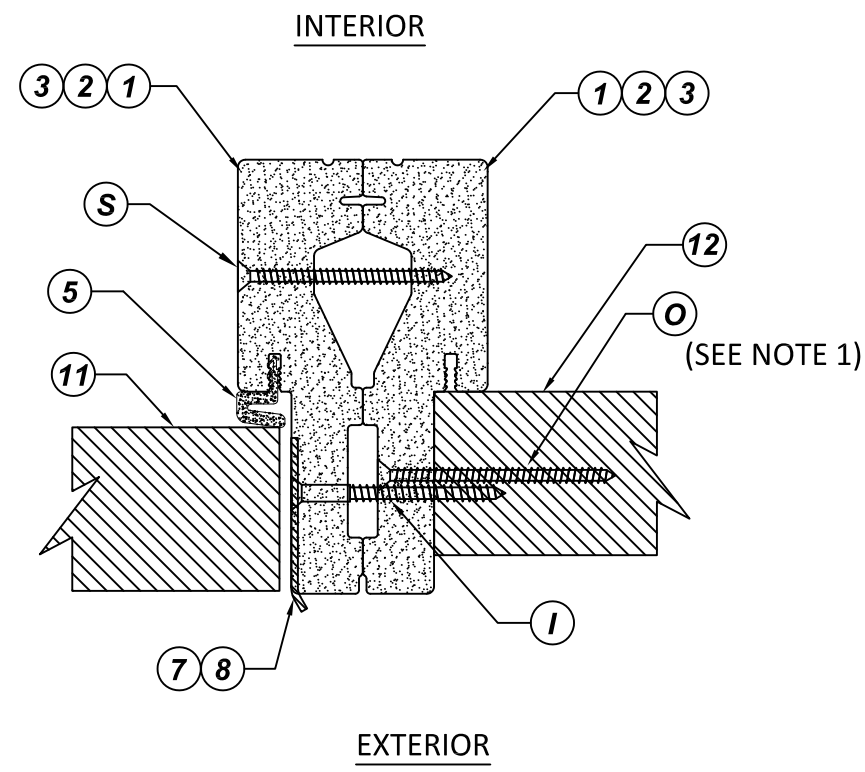
FL #:	FL20867
DATE:	07.14.2016
DWG. BY:	LS
CHK. BY:	HFN
SCALE:	NTS
DWG. #:	TGI014
SHEET:	8

10/18/2023 1:23 PM

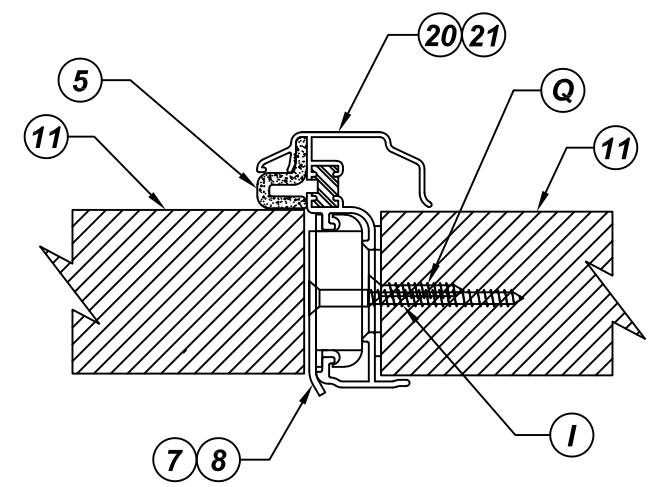
s:\projects\trinity_glass_international\cc-23-1006 - fbc submittal - 2023 code change\dwg\tgi014.dwg



1
9 HORIZONTAL CROSS SECTION
Outswing shown - Inswing also approved



2
9 HORIZONTAL CROSS SECTION
Outswing shown - Inswing also approved



3
9 HORIZONTAL CROSS SECTION
Outswing shown - Inswing also approved

NOTE:
1. SIDELITE SCREWS LOCATED 6" FROM EACH END OF SIDE JAMB AND 6 EQUALLY SPACED SCREWS FROM THE END SCREWS (TOTAL 8 SCREWS).



33615 1ST WAY S
FEDERAL WAY, WA 98003
PH: (253) 875-7300

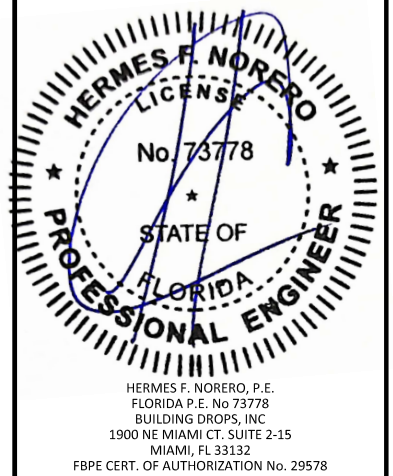
TITLE: 8'0" OPAQUE FIBERGLASS
DOOR - INSWING/OUTSWING
(HVHZ) (NON-IMPACT)
HORIZONTAL
CROSS SECTIONS

PREPARED BY:
BUILDING DROPS, INC.
1900 NE MIAMI CT. SUITE 2-15
MIAMI, FL 33132
PH: (954) 399-8478
FAX: (954) 744-4738
WEB: www.buildingdrops.com



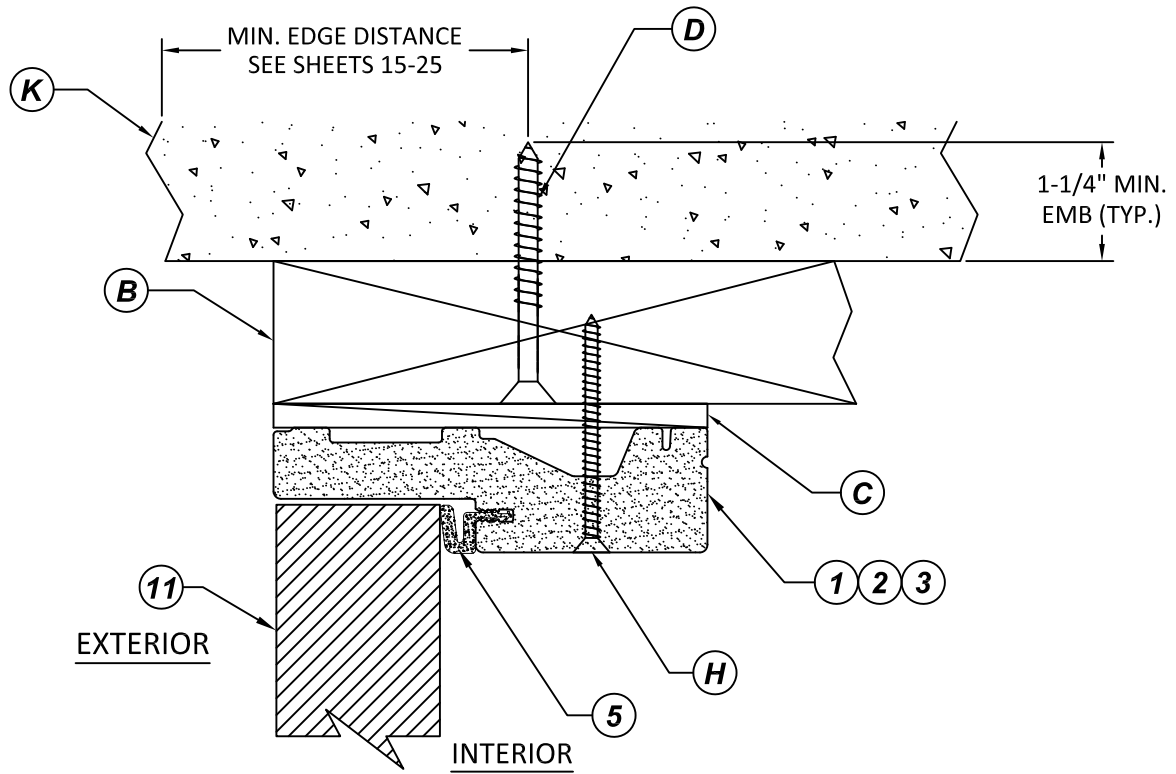
REMARKS	BY	DATE
2023 FBC UPDATE	MS	10/11/23

THE INSTALLATION DETAILS DESCRIBED HEREIN ARE GENERIC AND MAY NOT REFLECT ACTUAL CONDITIONS FOR A SPECIFIC SITE. IF SITE CONDITIONS CAUSE INSTALLATION TO DEVIATE FROM THE REQUIREMENTS DETAILED HEREIN, A LICENSED ENGINEER OR ARCHITECT SHALL PREPARE SITE SPECIFIC DOCUMENTS FOR USE WITH THIS DOCUMENT.

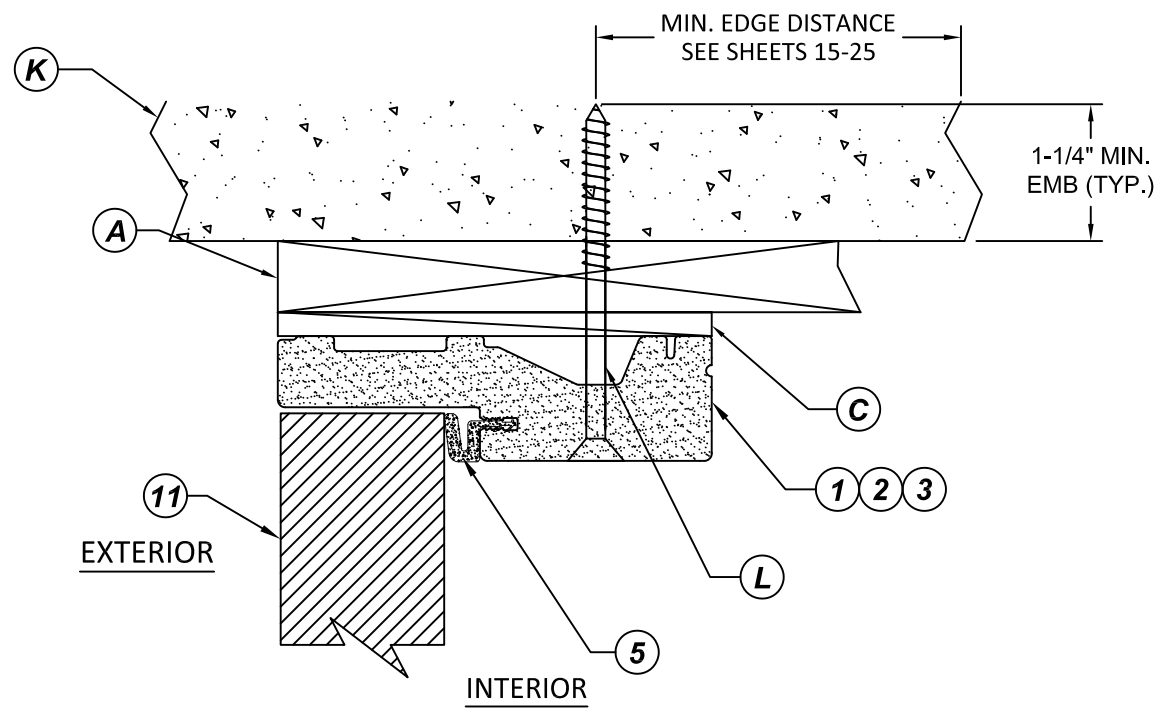


FL #:	FL20867
DATE:	07.14.2016
DWG. BY:	LS
CHK. BY:	HFN
SCALE:	NTS
DWG. #:	TGI014
SHEET:	9

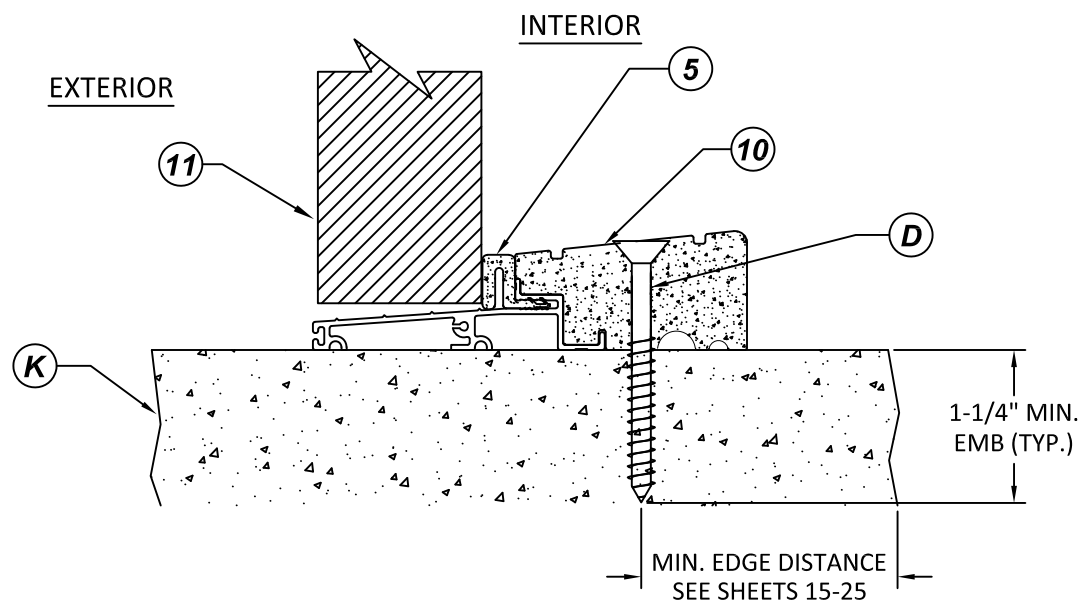
10/18/2023 1:23 PM



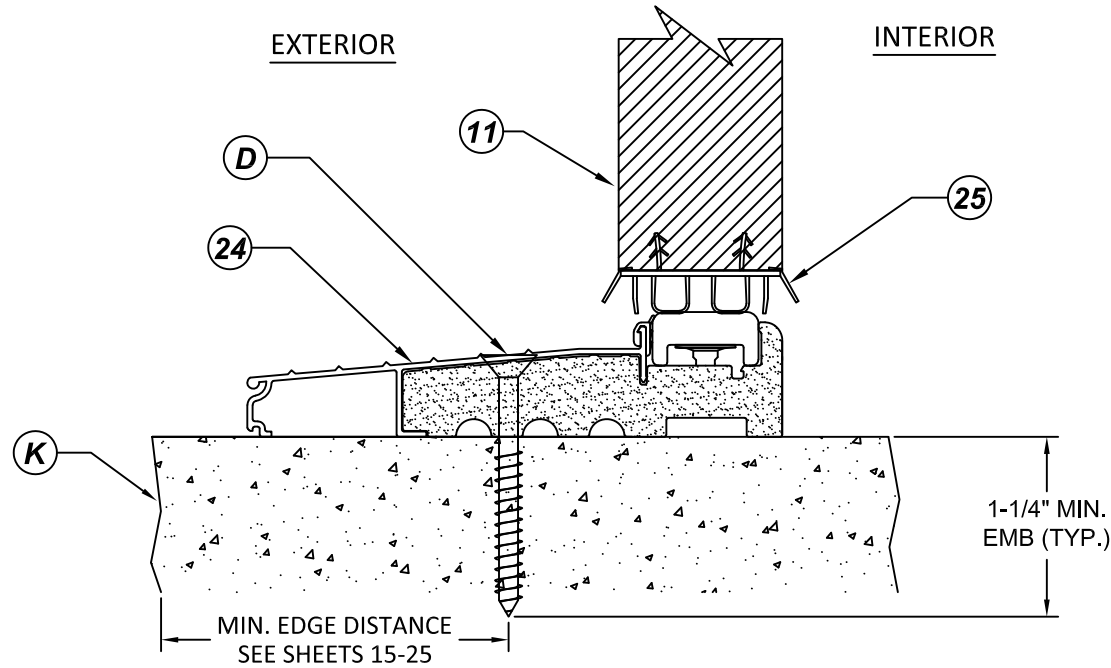
1
11 **VERTICAL CROSS SECTION**
SHOWN W/ 2X WOOD BUCK
Outswing shown - Inswing also approved



2
11 **VERTICAL CROSS SECTION**
SHOWN W/ 1X WOOD BUCK
Outswing shown - Inswing also approved



3
11 **VERTICAL CROSS SECTION**
OUTSWING SILL



4
11 **VERTICAL CROSS SECTION**
INSWING SILL



33615 1ST WAY S
FEDERAL WAY, WA 98003
PH: (253) 875-7300

TITLE: 80" OPAQUE FIBERGLASS
DOOR - INSWING/OUTSWING
(HVHZ) (NON-IMPACT)
VERTICAL
CROSS SECTIONS

PREPARED BY:
BUILDING DROPS, INC.
1900 NE MIAMI CT. SUITE 2-15
MIAMI, FL 33132
PH: (954) 399-8478
FAX: (954) 744-4738
WEB: www.buildingdrops.com



REMARKS	BY	DATE
2023 FBC UPDATE	MS	10/11/23

THE INSTALLATION DETAILS DESCRIBED HEREIN ARE GENERIC AND MAY NOT REFLECT ACTUAL CONDITIONS FOR A SPECIFIC SITE. IF SITE CONDITIONS CAUSE INSTALLATION TO DEVIATE FROM THE REQUIREMENTS DETAILED HEREIN, A LICENSED ENGINEER OR ARCHITECT SHALL PREPARE SITE SPECIFIC DOCUMENTS FOR USE WITH THIS DOCUMENT.

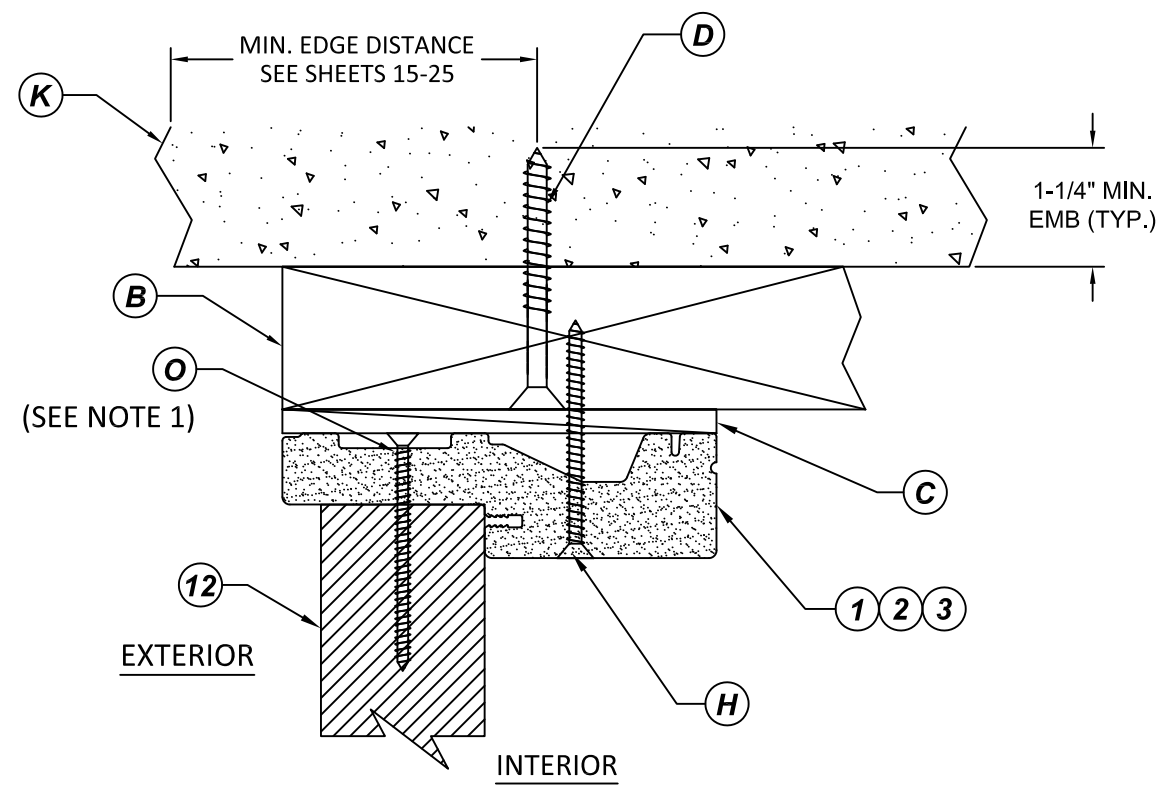


HERMES F. NORERO, P.E.
FLORIDA P.E. No. 73778
BUILDING DROPS, INC.
1900 NE MIAMI CT. SUITE 2-15
MIAMI, FL 33132
FBPE CERT. OF AUTHORIZATION No. 29578

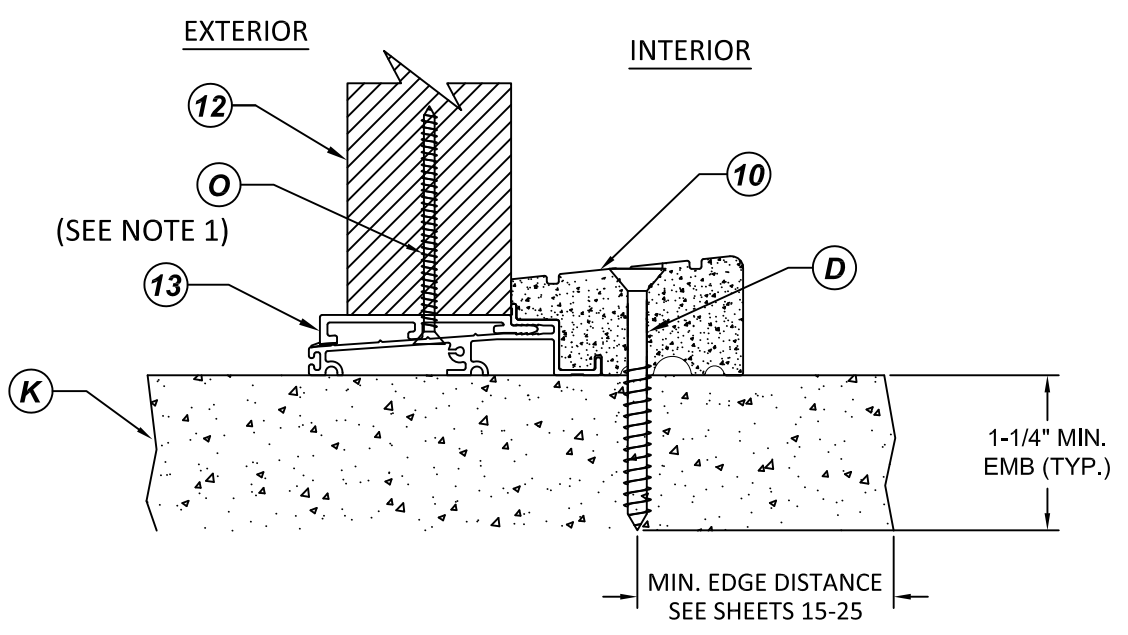
FL #:	FL20867
DATE:	07.14.2016
DWG. BY:	LS
CHK. BY:	HFN
SCALE:	NTS
DWG. #:	TGI014
SHEET:	11

s:\projects\trinity_glass_international\cc-23-1006 - fbc submittal - 2023 code change\dws\tgi014.dwg

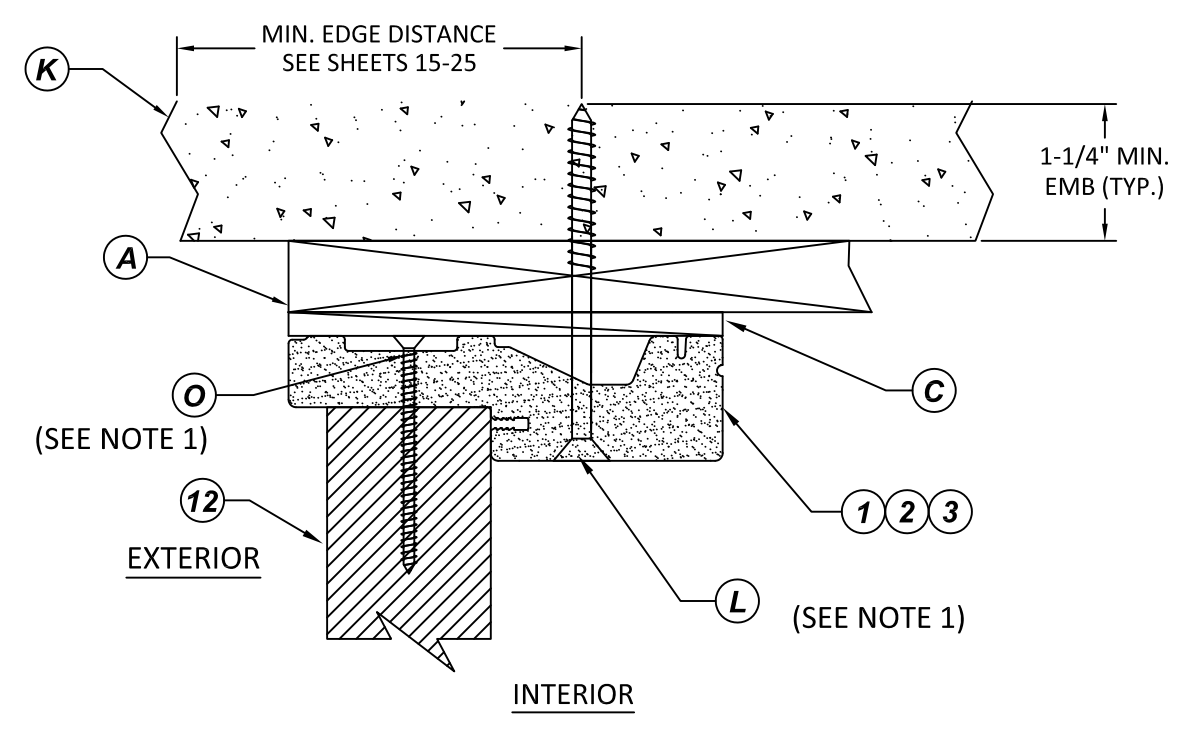
10/18/2023 1:23 PM



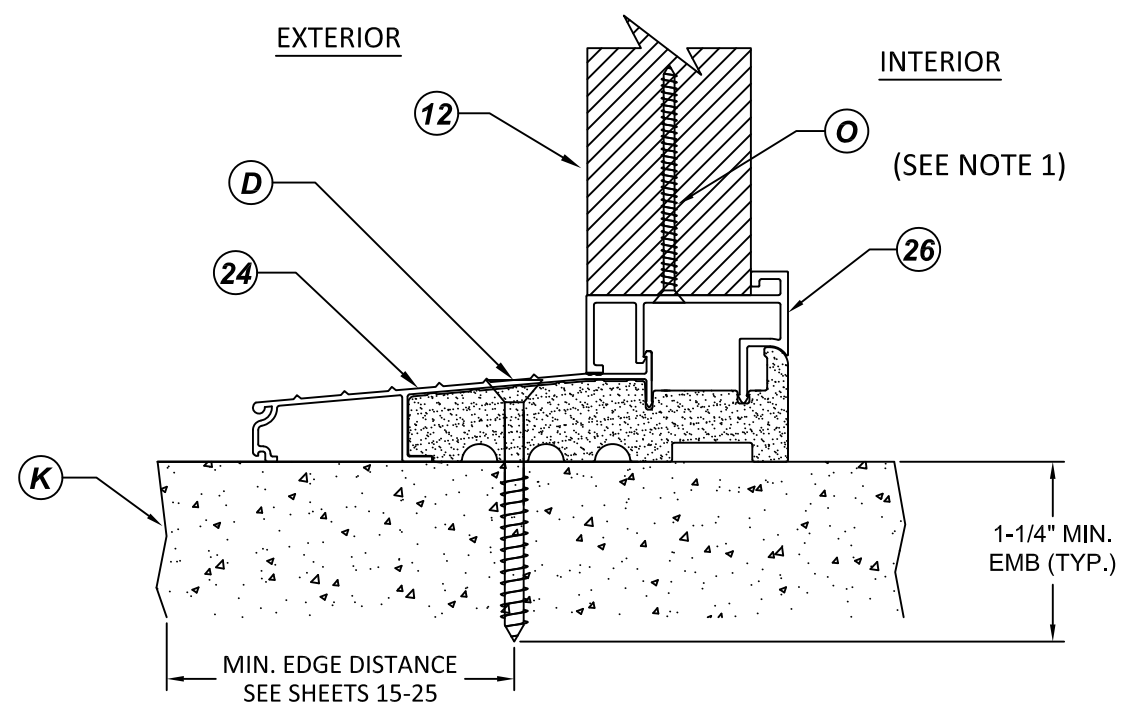
1
12 **VERTICAL CROSS SECTION**
SHOWN W/ 2X WOOD BUCK
Outswing shown - Inswing also approved



3
12 **VERTICAL CROSS SECTION**
OUTSWING SILL



2
12 **VERTICAL CROSS SECTION**
SHOWN W/ 1X WOOD BUCK
Outswing shown - Inswing also approved



4
12 **VERTICAL CROSS SECTION**
INSWING SILL

NOTE:
1. SIDELITE SCREWS THRU HEADER AND SILL LOCATED AT 3" FROM EACH END AND ON CENTER LINE.



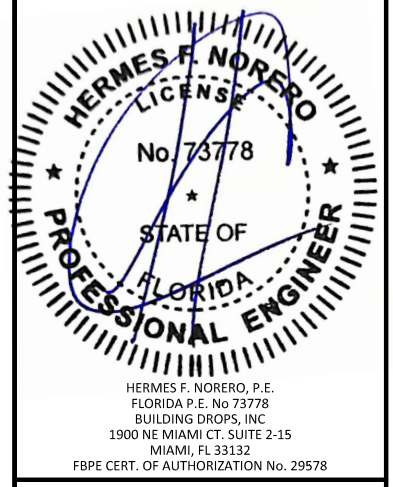
33615 1ST WAY S
FEDERAL WAY, WA 98003
PH: (253) 875-7300

TITLE: 8" OPAQUE FIBERGLASS
DOOR - INSWING/OUTSWING
(HVHZ) (NON-IMPACT)
VERTICAL
CROSS SECTIONS

PREPARED BY:
BD
BUILDING DROPS
BUILDING DROPS, INC.
1900 NE MIAMI CT. SUITE 2-15
MIAMI, FL 33132
PH: (954) 399-8478
FAX: (954) 744-4738
WEB: www.buildingdrops.com

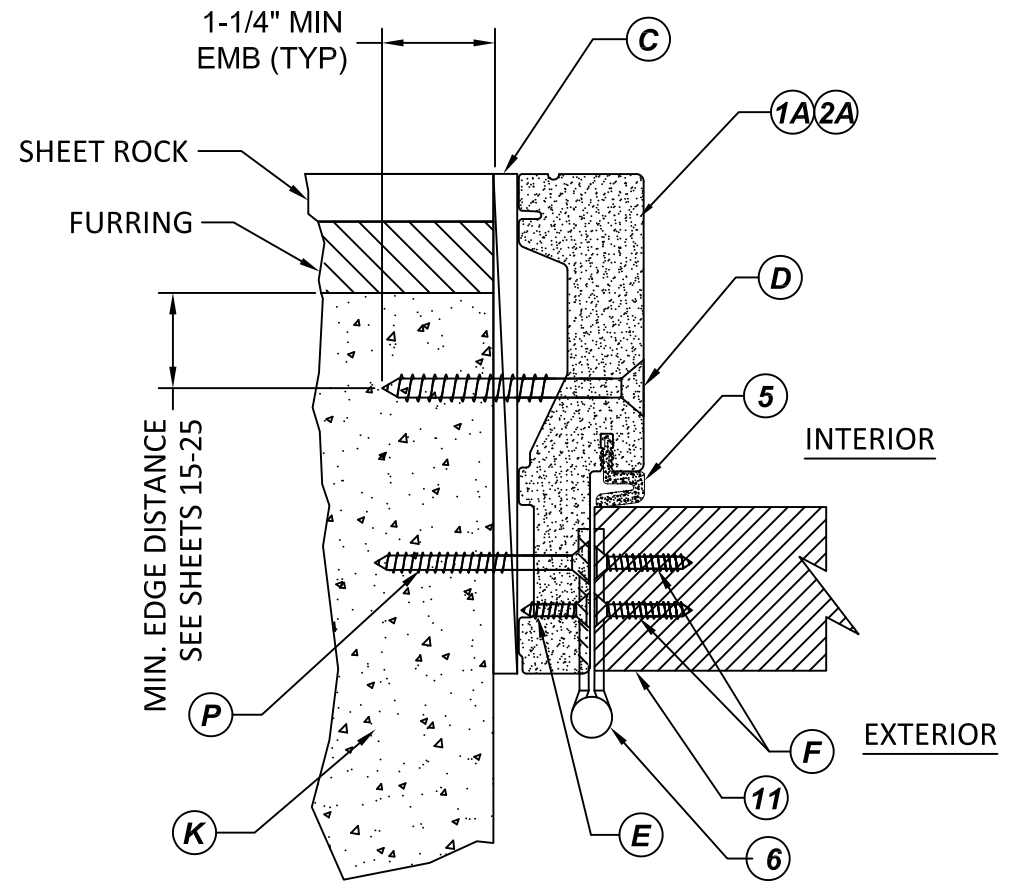
REMARKS	BY	DATE
2023 FBC UPDATE	MS	10/11/23

THE INSTALLATION DETAILS DESCRIBED HEREIN ARE GENERIC AND MAY NOT REFLECT ACTUAL CONDITIONS FOR A SPECIFIC SITE. IF SITE CONDITIONS CAUSE INSTALLATION TO DEVIATE FROM THE REQUIREMENTS DETAILED HEREIN, A LICENSED ENGINEER OR ARCHITECT SHALL PREPARE SITE SPECIFIC DOCUMENTS FOR USE WITH THIS DOCUMENT.

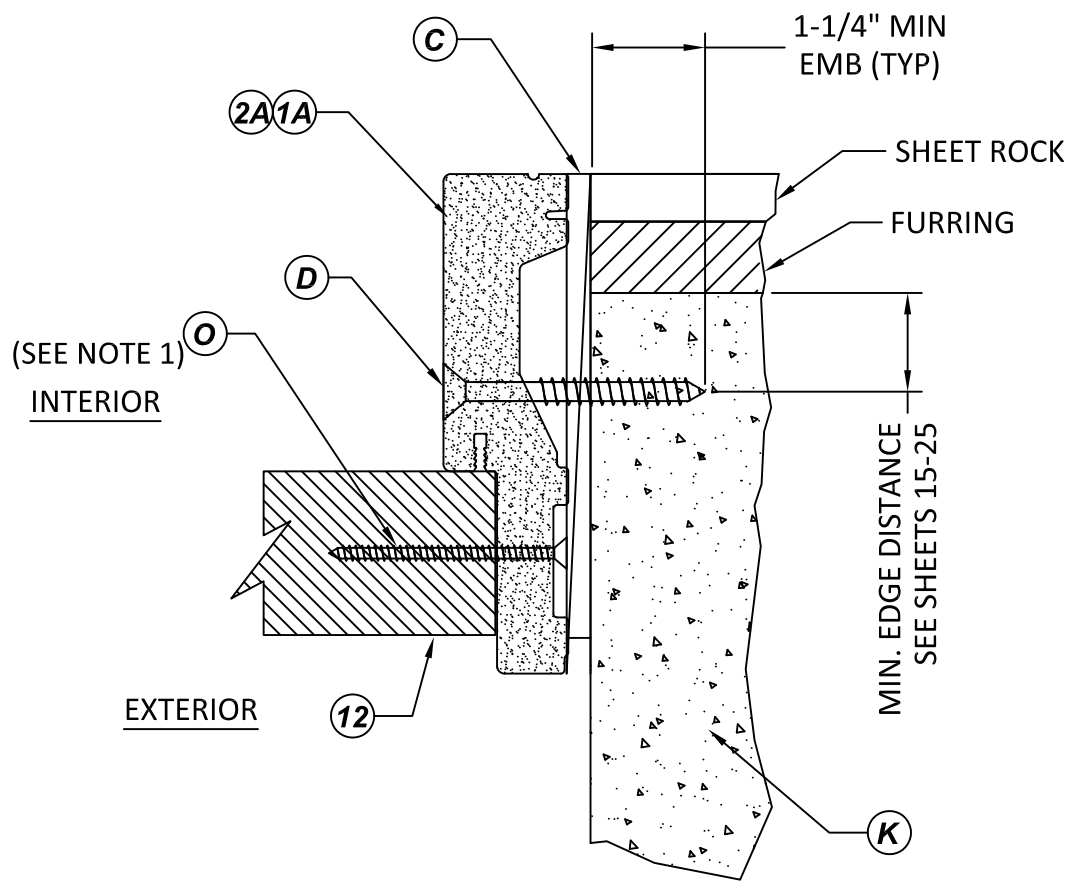


FL #:	FL20867
DATE:	07.14.2016
DWG. BY:	LS
CHK. BY:	HFN
SCALE:	NTS
DWG. #:	TGI014
SHEET:	12

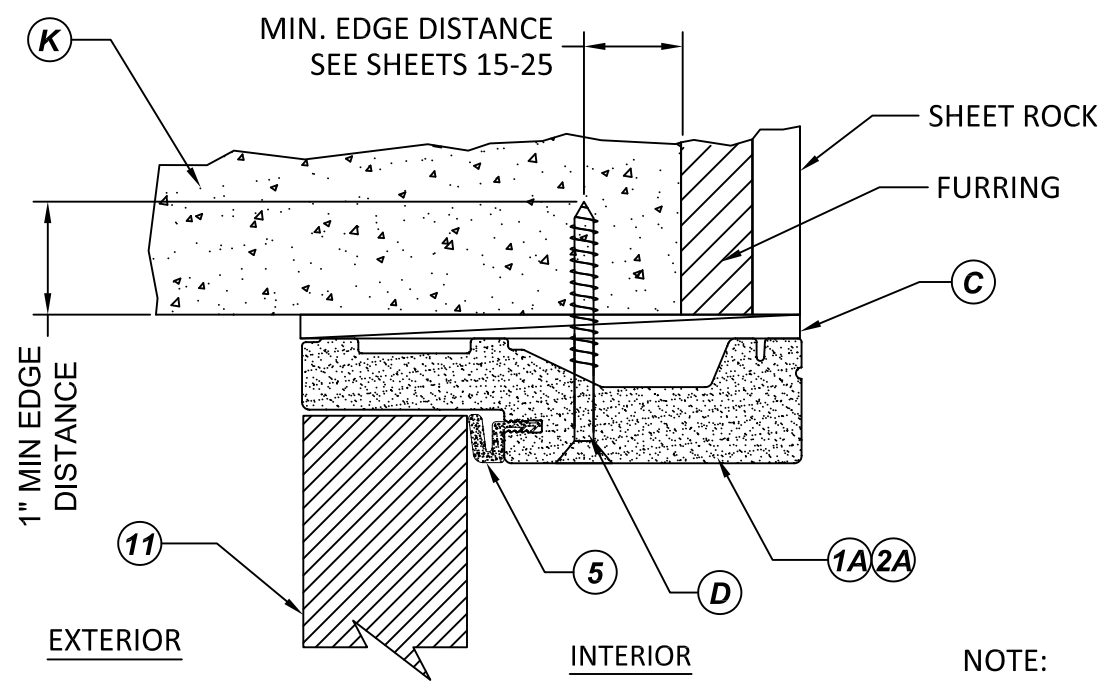
10/18/2023 1:23 PM



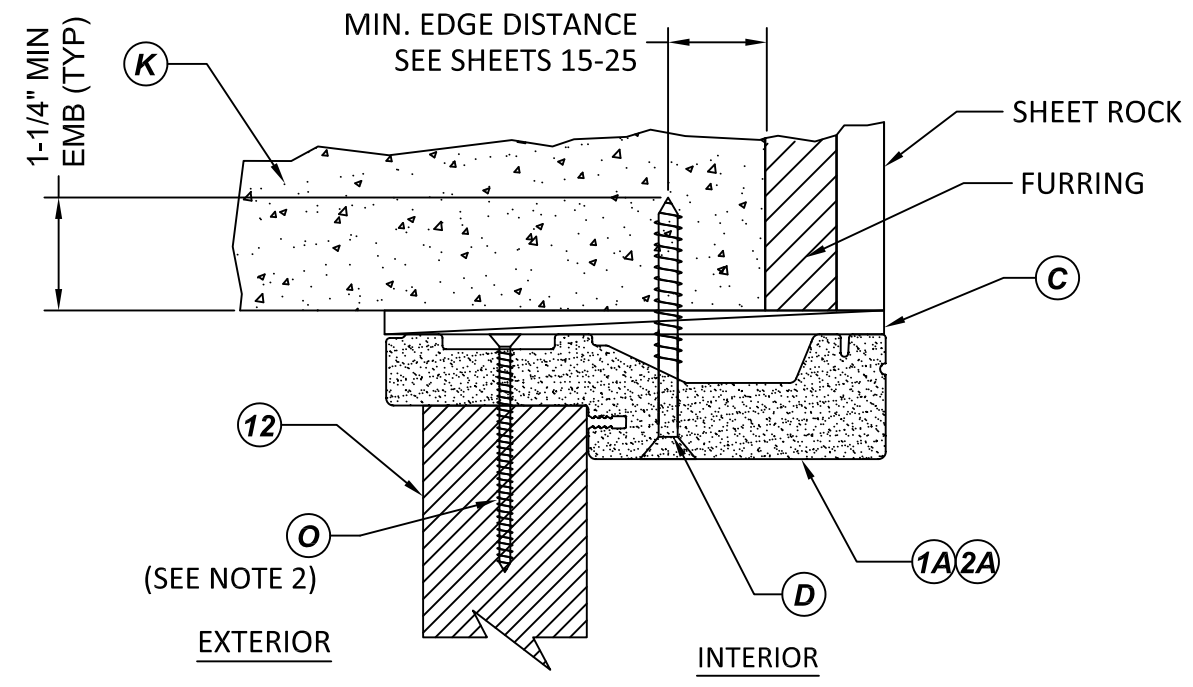
1
13 **HORIZONTAL CROSS SECTION**
Direct to masonry (5-1/4" min jamb)
Outswing shown - Inswing also approved



2
13 **HORIZONTAL CROSS SECTION**
Direct to masonry (5-1/4" min jamb)
Outswing shown - Inswing also approved



3
13 **VERTICAL CROSS SECTION**
Direct to masonry (5-1/4" min jamb)
Outswing shown - Inswing also approved



4
13 **VERTICAL CROSS SECTION**
Direct to masonry (5-1/4" min jamb)
Outswing shown - Inswing also approved

NOTE:
1. Sidelite screws located 6" from each end of side jamb and 6 equally spaced screws (total 8 screws).
2. Sidelite screws thru header and sill located at 3" from each end and on center line.



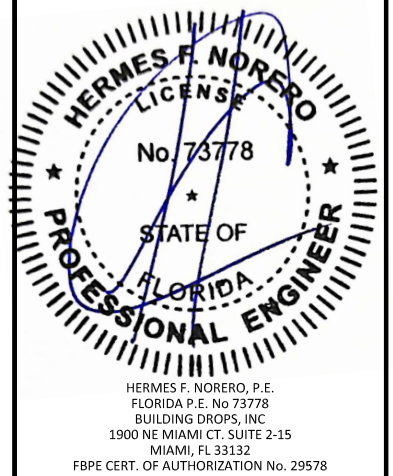
33615 1ST WAY S
FEDERAL WAY, WA 98003
PH: (253) 875-7300

TITLE: 8'0" OPAQUE FIBERGLASS
DOOR - INSWING/OUTSWING
(HVHZ) (NON-IMPACT)
**HORIZONTAL & VERTICAL
CROSS SECTIONS**

PREPARED BY: BUILDING DROPS, INC.
1900 NE MIAMI CT. SUITE 2-15
MIAMI, FL 33132
PH: (954) 399-8478
FAX: (954) 744-4738
WEB: www.buildingdrops.com

REMARKS	BY	DATE
2023 FBC UPDATE	MS	10/11/23

THE INSTALLATION DETAILS DESCRIBED HEREIN ARE GENERIC AND MAY NOT REFLECT ACTUAL CONDITIONS FOR A SPECIFIC SITE. IF SITE CONDITIONS CAUSE INSTALLATION TO DEVIATE FROM THE REQUIREMENTS DETAILED HEREIN, A LICENSED ENGINEER OR ARCHITECT SHALL PREPARE SITE SPECIFIC DOCUMENTS FOR USE WITH THIS DOCUMENT.

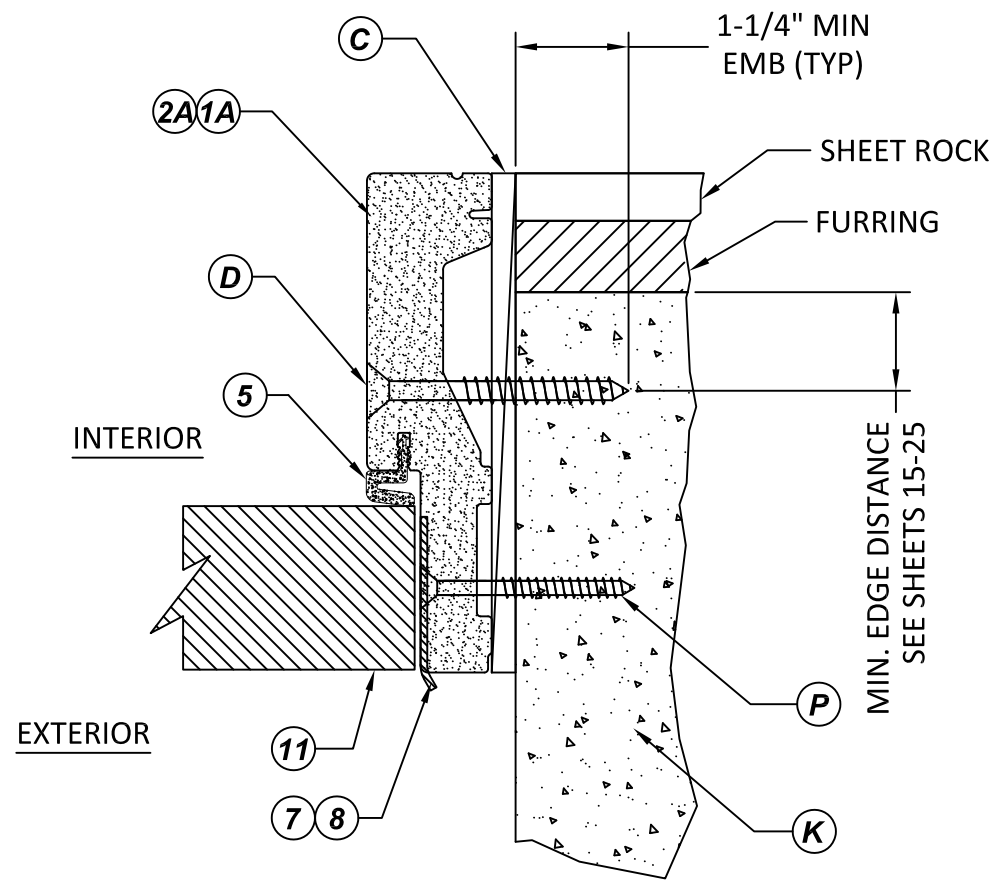


HERMES F. NORERO, P.E.
FLORIDA P.E. No. 73778
BUILDING DROPS, INC.
1900 NE MIAMI CT. SUITE 2-15
MIAMI, FL 33132
FBPE CERT. OF AUTHORIZATION No. 29578

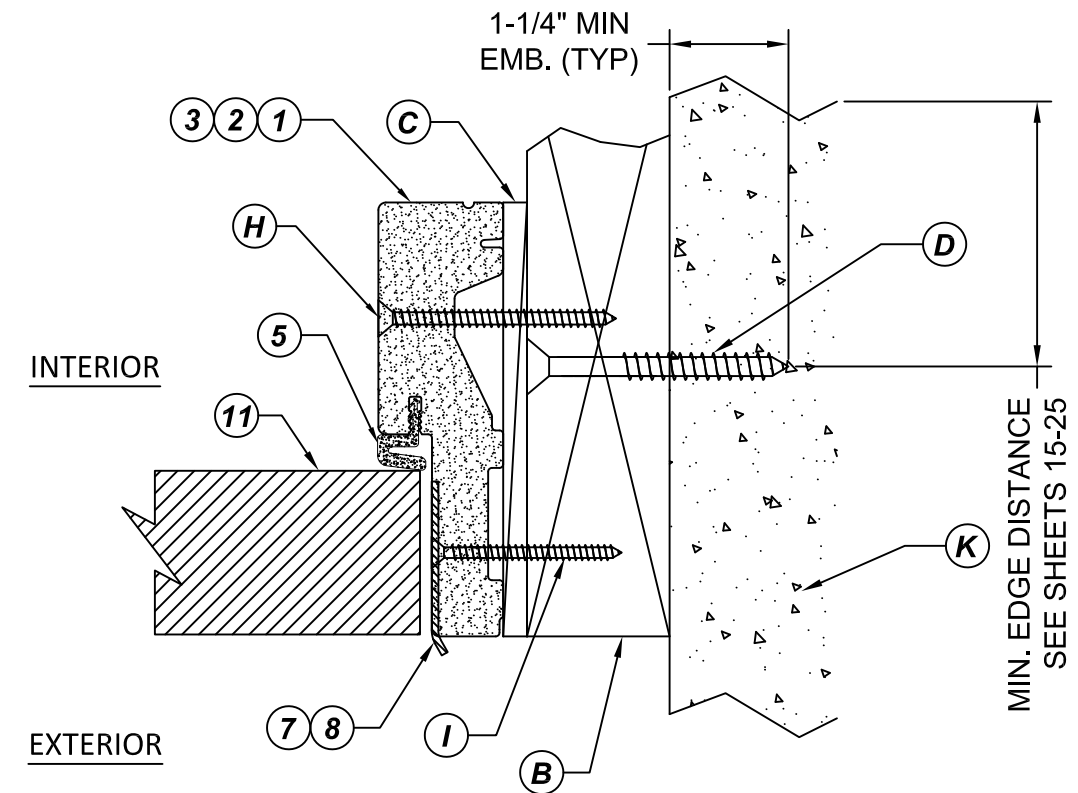
FL #:	FL20867
DATE:	07.14.2016
DWG. BY:	LS
CHK. BY:	HFN
SCALE:	NTS
DWG. #:	TGI014
SHEET:	13

10/18/2023 1:23 PM

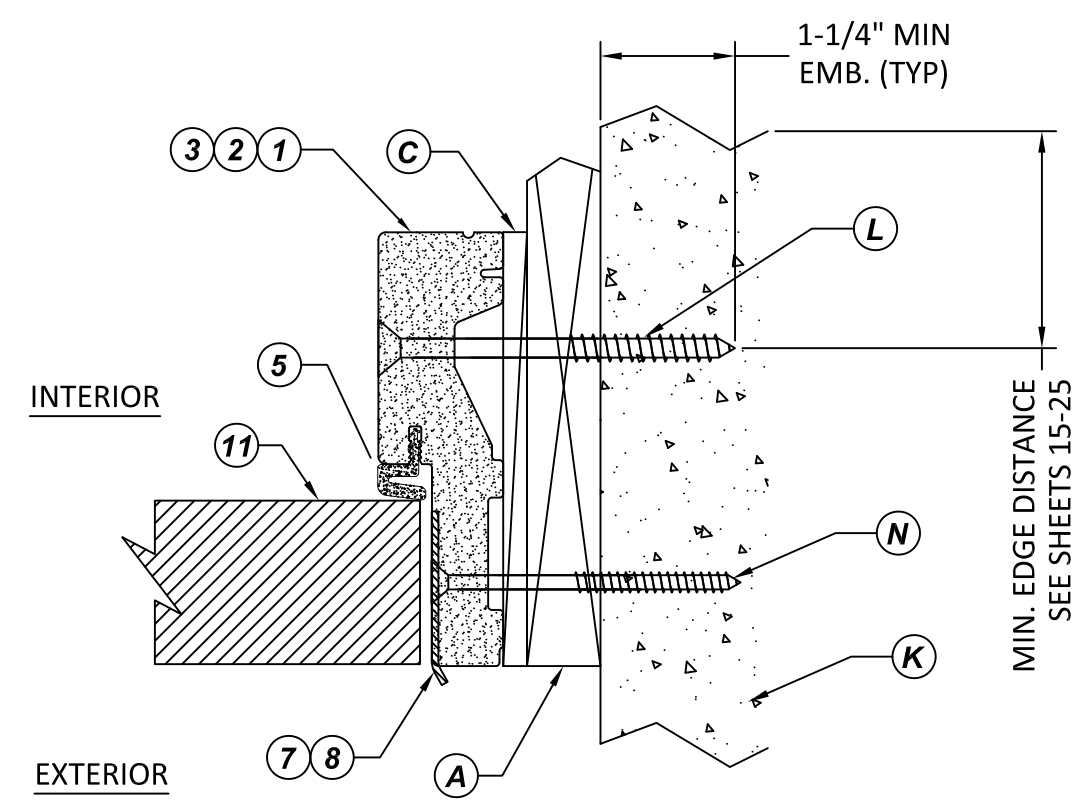
s:\projects\trinity_glass_international\cc-23-1006 - fbc submittal - 2023 code change\dwg\tgi014.dwg



1
14 **HORIZONTAL CROSS SECTION**
Direct to masonry (5-1/4" min jamb)
Outswing shown - Inswing also approved



2
14 **HORIZONTAL CROSS SECTION**
SHOWN W/ 2X WOOD BUCK
Outswing shown - Inswing also approved



3
14 **HORIZONTAL CROSS SECTION**
SHOWN W/ 1X WOOD BUCK
Outswing shown - Inswing also approved



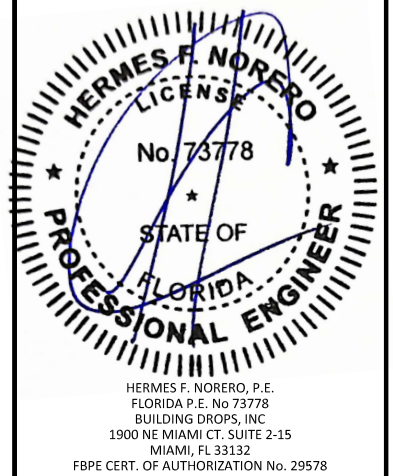
33615 1ST WAY S
FEDERAL WAY, WA 98003
PH: (253) 875-7300

TITLE: 8'0" OPAQUE FIBERGLASS
DOOR - INSWING/OUTSWING
(HVHZ) (NON-IMPACT)
HORIZONTAL
CROSS SECTIONS

PREPARED BY:
BUILDING DROPS, INC.
1900 NE MIAMI CT. SUITE 2-15
MIAMI, FL 33132
PH: (954) 399-8478
FAX: (954) 744-4738
WEB: www.buildingdrops.com

REMARKS	BY	DATE
2023 FBC UPDATE	MS	10/11/23

THE INSTALLATION DETAILS DESCRIBED HEREIN ARE GENERIC AND MAY NOT REFLECT ACTUAL CONDITIONS FOR A SPECIFIC SITE. IF SITE CONDITIONS CAUSE INSTALLATION TO DEVIATE FROM THE REQUIREMENTS DETAILED HEREIN, A LICENSED ENGINEER OR ARCHITECT SHALL PREPARE SITE SPECIFIC DOCUMENTS FOR USE WITH THIS DOCUMENT.



FL #:	FL20867
DATE:	07.14.2016
DWG. BY:	LS
CHK. BY:	HFN
SCALE:	NTS
DWG. #:	TGI014
SHEET:	14

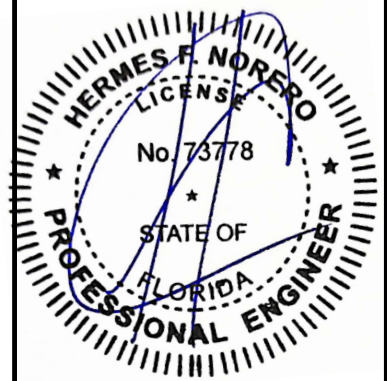
TITLE: 8'0" OPAQUE FIBERGLASS
DOOR - INSWING/OUTSWING
(HVHZ) (NON-IMPACT)
BUCK ANCHORING

PREPARED BY:
BUILDING DROPS, INC.
1900 NE MIAMI CT, SUITE 2-15
MIAMI, FL 33132
PH: (954) 399-8478
FAX: (954) 744-4738
WEB: www.buildingdrops.com



REMARKS	BY	DATE
2023 FBC UPDATE	MS	10/11/23

THE INSTALLATION DETAILS DESCRIBED HEREIN ARE GENERIC AND MAY NOT REFLECT ACTUAL CONDITIONS FOR A SPECIFIC SITE. IF SITE CONDITIONS CAUSE INSTALLATION TO DEVIATE FROM THE REQUIREMENTS DETAILED HEREIN, A LICENSED ENGINEER OR ARCHITECT SHALL PREPARE SITE SPECIFIC DOCUMENTS FOR USE WITH THIS DOCUMENT.



HERMES F. NORERO, P.E.
FLORIDA P.E. No. 73778
BUILDING DROPS, INC.
1900 NE MIAMI CT, SUITE 2-15
MIAMI, FL 33132
FBPE CERT. OF AUTHORIZATION No. 29578

FL #: **FL20867**

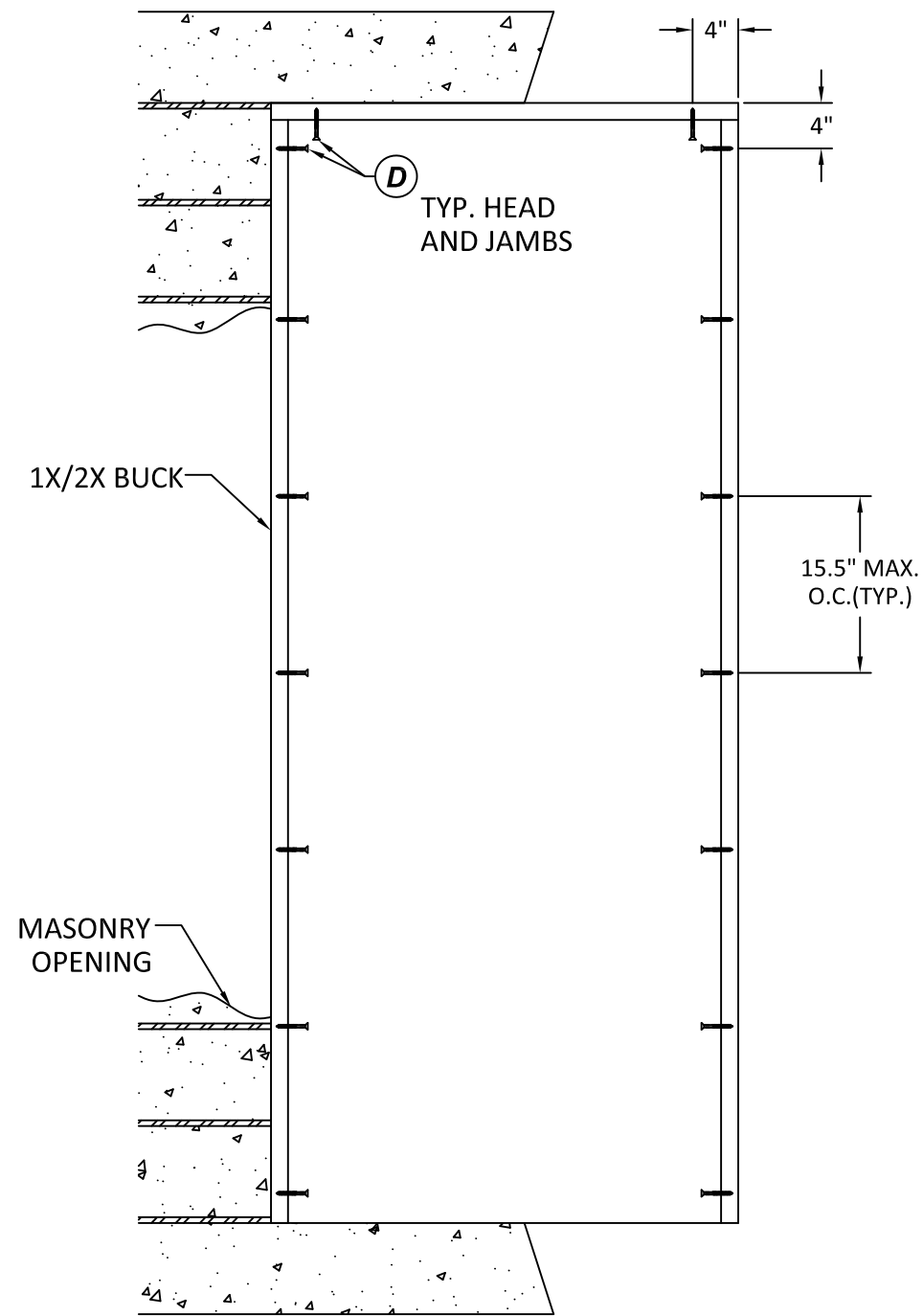
DATE: **07.14.2016**

DWG. BY: **LS** CHK. BY: **HFN**

SCALE: **NTS**

DWG. #: **TGI014**

SHEET: **15**
OF 28



BUCK ANCHORING

CONCRETE ANCHOR NOTES:

1. Concrete anchor locations noted as "MAX ON CENTER" and at the corners must be adjusted to maintain min. edge distance to mortar joints. Additional concrete anchors may be required to ensure the "MAX ON CENTER" dimensions are not exceeded.
2. Concrete anchor table:

ANCHOR TYPE	ANCHOR SIZE	MIN. EMBEDMENT	MIN. CLEARANCE TO MASONRY EDGE	MIN CLEARANCE TO ADJUSTMENT ANCHOR
ITW BUILDDEX TAPCON®	1/4"	1-1/4"	2"	4"
DEWALT ULTRACON+®	1/4"	1-1/4"	1"	4"
ITW BUILDDEX TAPCON®	3/16"	1-1/4"	3"	1-1/2"

WOOD SCREW INSTALLATION NOTES:

1. Maintain a min. 5/8" edge distance, & 1" o.c. spacing of wood screws to prevent splitting of wood.

10/18/2023 1:23 PM
s:\projects\trinity_glass_international\cc-23-1006-fbc-submittal-2023-code-change\dwg\tgi014.dwg

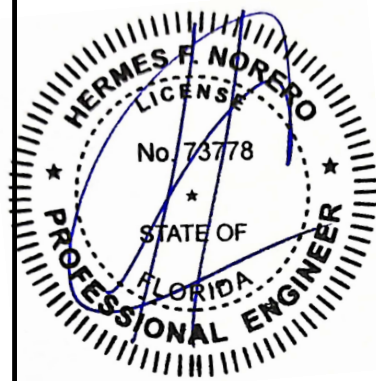
TITLE: 8'0" OPAQUE FIBERGLASS
DOOR - INSWING/OUTSWING
(HVHZ) (NON-IMPACT)
FRAME ANCHORING

PREPARED BY:
BUILDING DROPS, INC.
1900 NE MIAMI CT. SUITE 2-15
MIAMI, FL 33132
PH: (954) 399-8478
FAX: (954) 744-4738
WEB: www.buildingdrops.com



REMARKS	BY	DATE
2023 FBC UPDATE	MS	10/11/23

THE INSTALLATION DETAILS DESCRIBED HEREIN ARE GENERIC AND MAY NOT REFLECT ACTUAL CONDITIONS FOR A SPECIFIC SITE. IF SITE CONDITIONS CAUSE INSTALLATION TO DEVIATE FROM THE REQUIREMENTS DETAILED HEREIN, A LICENSED ENGINEER OR ARCHITECT SHALL PREPARE SITE SPECIFIC DOCUMENTS FOR USE WITH THIS DOCUMENT.



HERMES F. NORERO, P.E.
FLORIDA P.E. No. 73778
BUILDING DROPS, INC.
1900 NE MIAMI CT. SUITE 2-15
MIAMI, FL 33132
FBPE CERT. OF AUTHORIZATION No. 29578

FL #: **FL20867**

DATE: **07.14.2016**

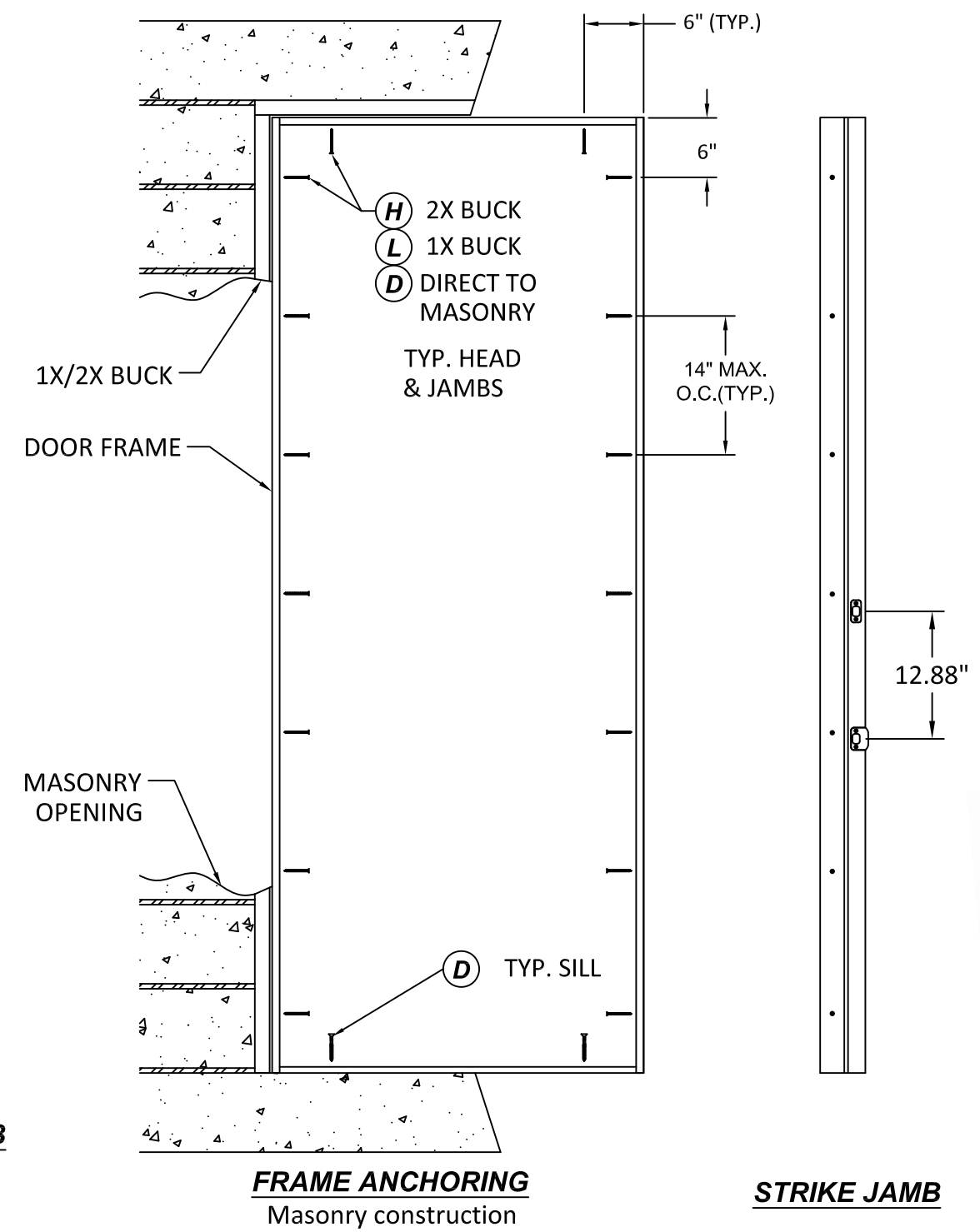
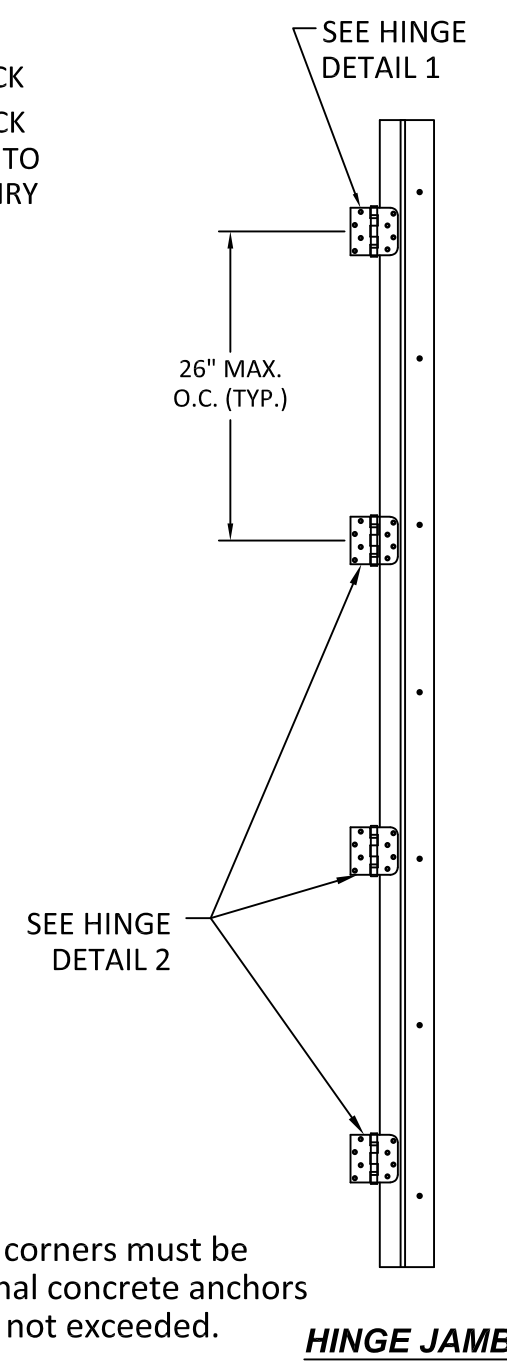
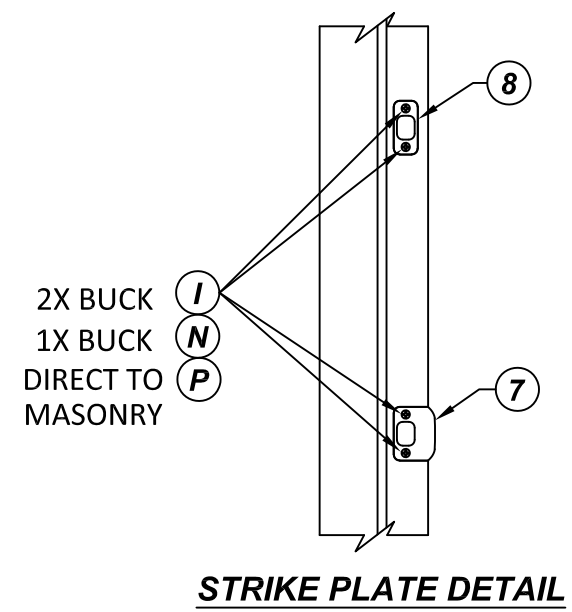
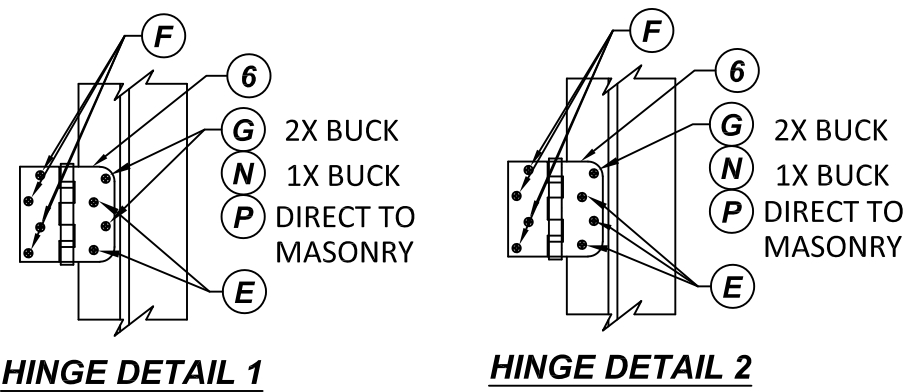
DWG. BY: **LS** CHK. BY: **HFN**

SCALE: **NTS**

DWG. #: **TGI014**

SHEET:

16



CONCRETE ANCHOR NOTES:

1. Concrete anchor locations noted as "MAX ON CENTER" and at the corners must be adjusted to maintain min. edge distance to mortar joints. Additional concrete anchors may be required to ensure the "MAX ON CENTER" dimensions are not exceeded.
2. Concrete anchor table:

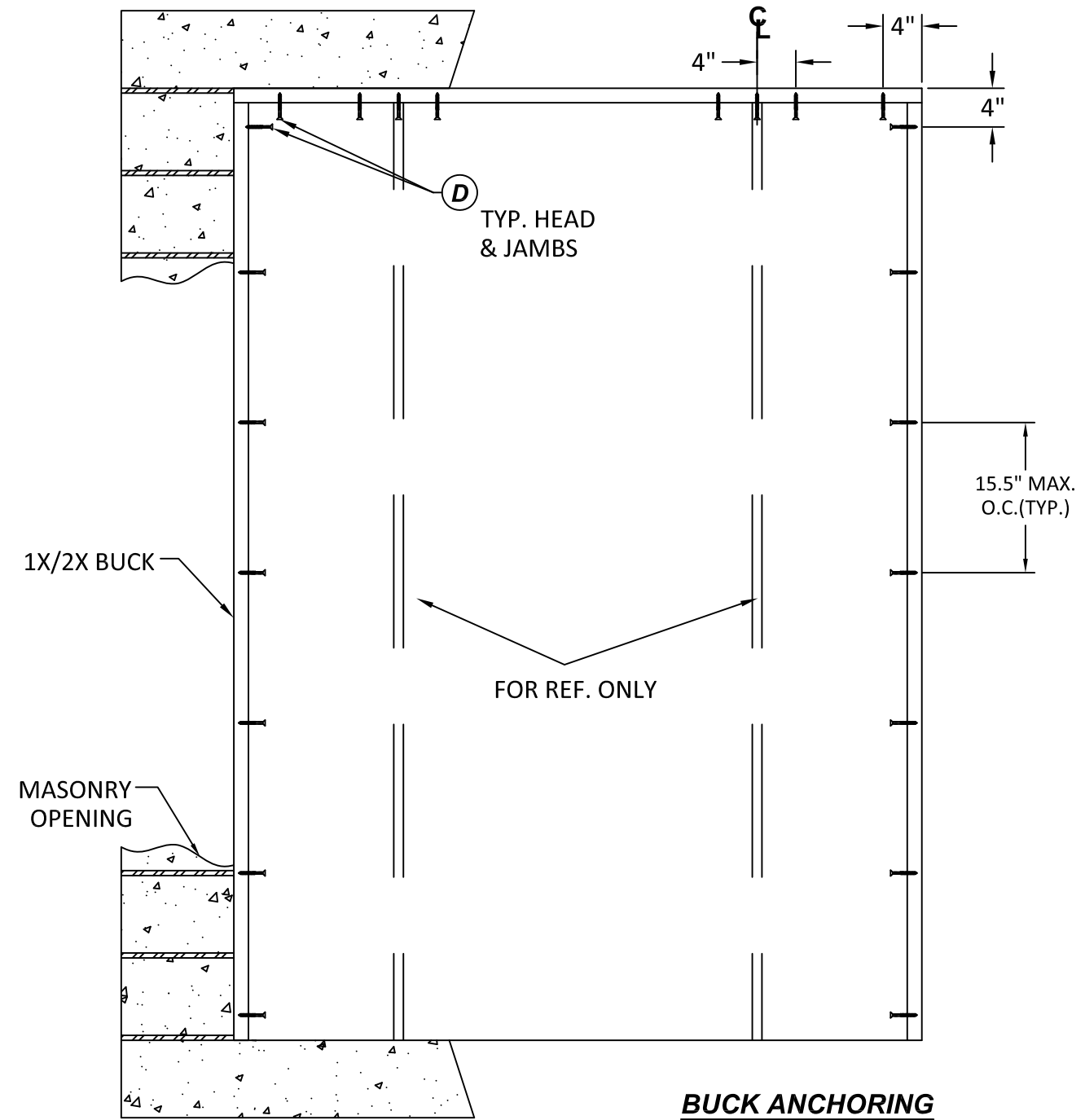
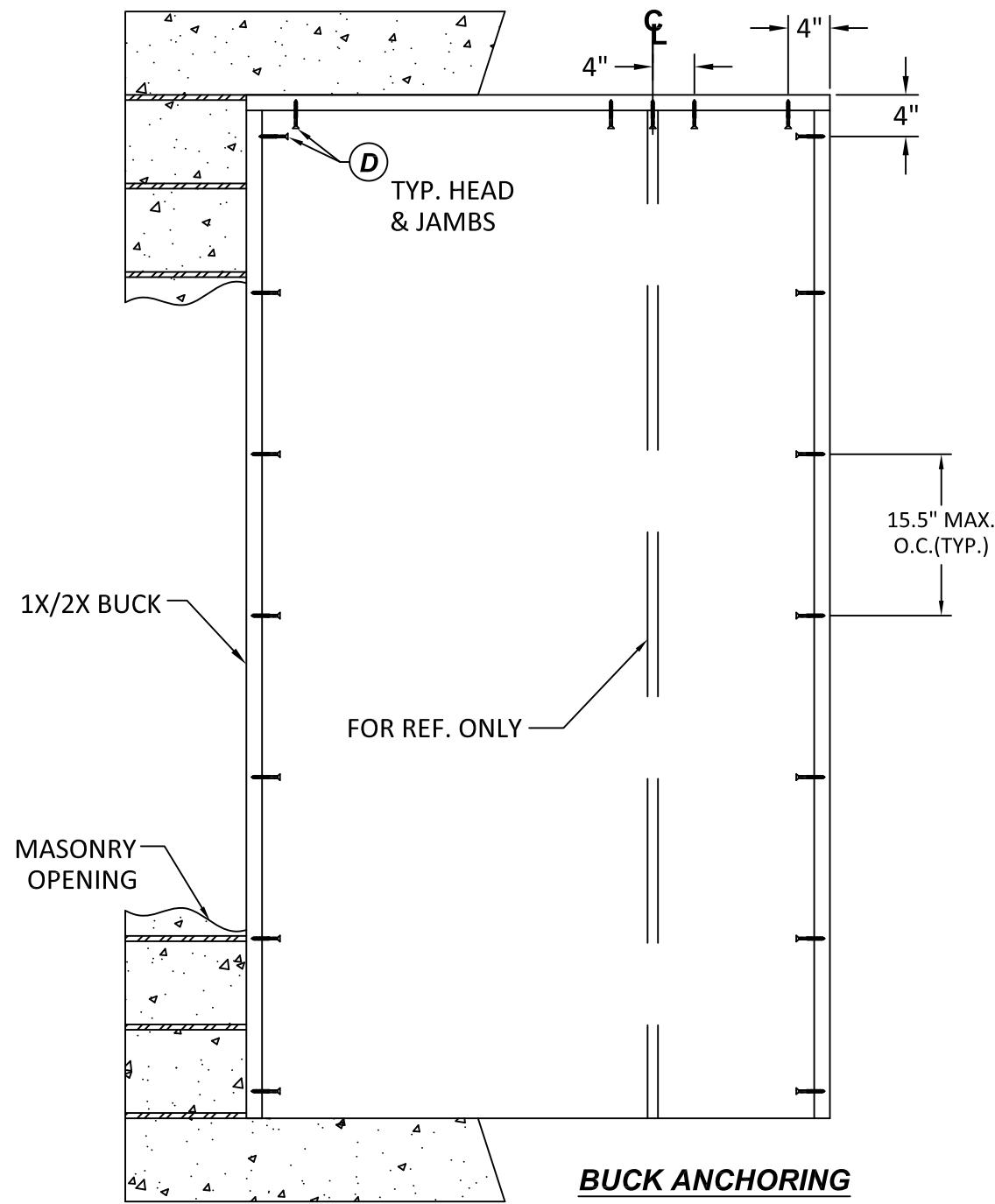
ANCHOR TYPE	ANCHOR SIZE	MIN. EMBEDMENT	MIN. CLEARANCE TO MASONRY EDGE	MIN CLEARANCE TO ADJUSTMENT ANCHOR
ITW BUILDDEX TAPCON®	1/4"	1-1/4"	2"	4"
DEWALT ULTRACON+®	1/4"	1-1/4"	1"	4"
ITW BUILDDEX TAPCON®	3/16"	1-1/4"	3"	1-1/2"

WOOD SCREW INSTALLATION NOTES:

1. Maintain a min. 5/8" edge distance, & 1" o.c. spacing of wood screws to prevent splitting of wood.

10/18/2023 1:23 PM

s:\projects\trinity_glass_international\cc-23-1006 - fbc submittal - 2023 code change\dwg\tgi014.dwg



CONCRETE ANCHOR NOTES:

1. Concrete anchor locations noted as "MAX ON CENTER" and at the corners must be adjusted to maintain min. edge distance to mortar joints. Additional concrete anchors may be required to ensure the "MAX ON CENTER" dimensions are not exceeded.
2. Concrete anchor table:

ANCHOR TYPE	ANCHOR SIZE	MIN. EMBEDMENT	MIN. CLEARANCE TO MASONRY EDGE	MIN CLEARANCE TO ADJUSTMENT ANCHOR
ITW BUILDDEX TAPCON®	1/4"	1-1/4"	2"	4"
DEWALT ULTRAACON+®	1/4"	1-1/4"	1"	4"
ITW BUILDDEX TAPCON®	3/16"	1-1/4"	3"	1-1/2"

WOOD SCREW INSTALLATION NOTES:

1. Maintain a min. 5/8" edge distance, & 1" o.c. spacing of wood screws to prevent splitting of wood.



33615 1ST WAY S
FEDERAL WAY, WA 98003
PH: (253) 875-7300

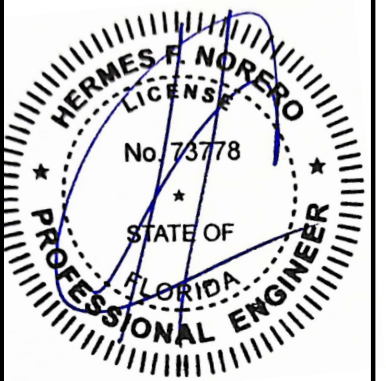
TITLE: 8'0" OPAQUE FIBERGLASS
DOOR - INSWING/OUTSWING
(HVHZ) (NON-IMPACT)
BUCK ANCHORING

PREPARED BY:
BUILDING DROPS, INC.
1900 NE MIAMI CT, SUITE 2-15
MIAMI, FL 33132
PH: (954) 399-8478
FAX: (954) 744-4738
WEB: www.buildingdrops.com



REMARKS	BY	DATE
2023 FBC UPDATE	MS	10/11/23

THE INSTALLATION DETAILS DESCRIBED HEREIN ARE GENERIC AND MAY NOT REFLECT ACTUAL CONDITIONS FOR A SPECIFIC SITE. IF SITE CONDITIONS CAUSE INSTALLATION TO DEVIATE FROM THE REQUIREMENTS DETAILED HEREIN, A LICENSED ENGINEER OR ARCHITECT SHALL PREPARE SITE SPECIFIC DOCUMENTS FOR USE WITH THIS DOCUMENT.



HERMES F. NORERO, P.E.
FLORIDA P.E. No. 73778
BUILDING DROPS, INC.
1900 NE MIAMI CT, SUITE 2-15
MIAMI, FL 33132
FBPE CERT. OF AUTHORIZATION No. 29578

FL #: **FL20867**

DATE: **07.14.2016**

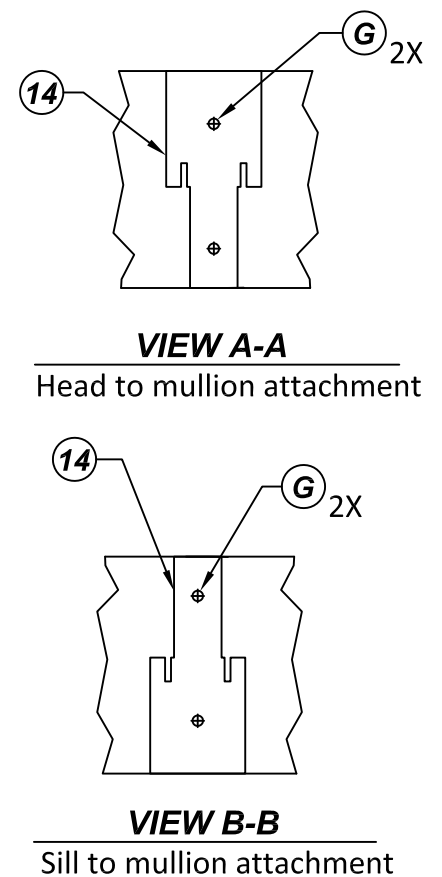
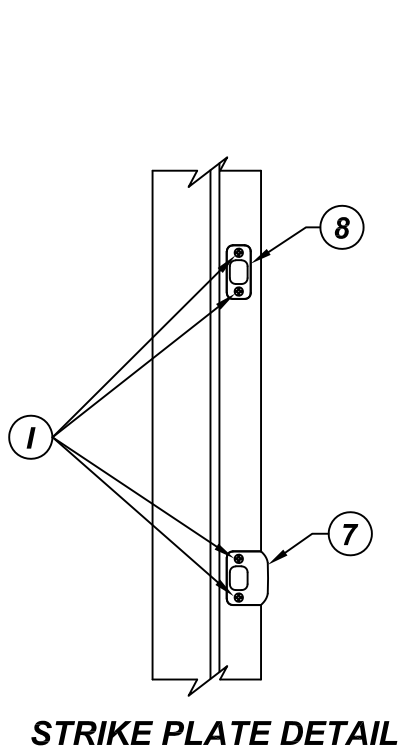
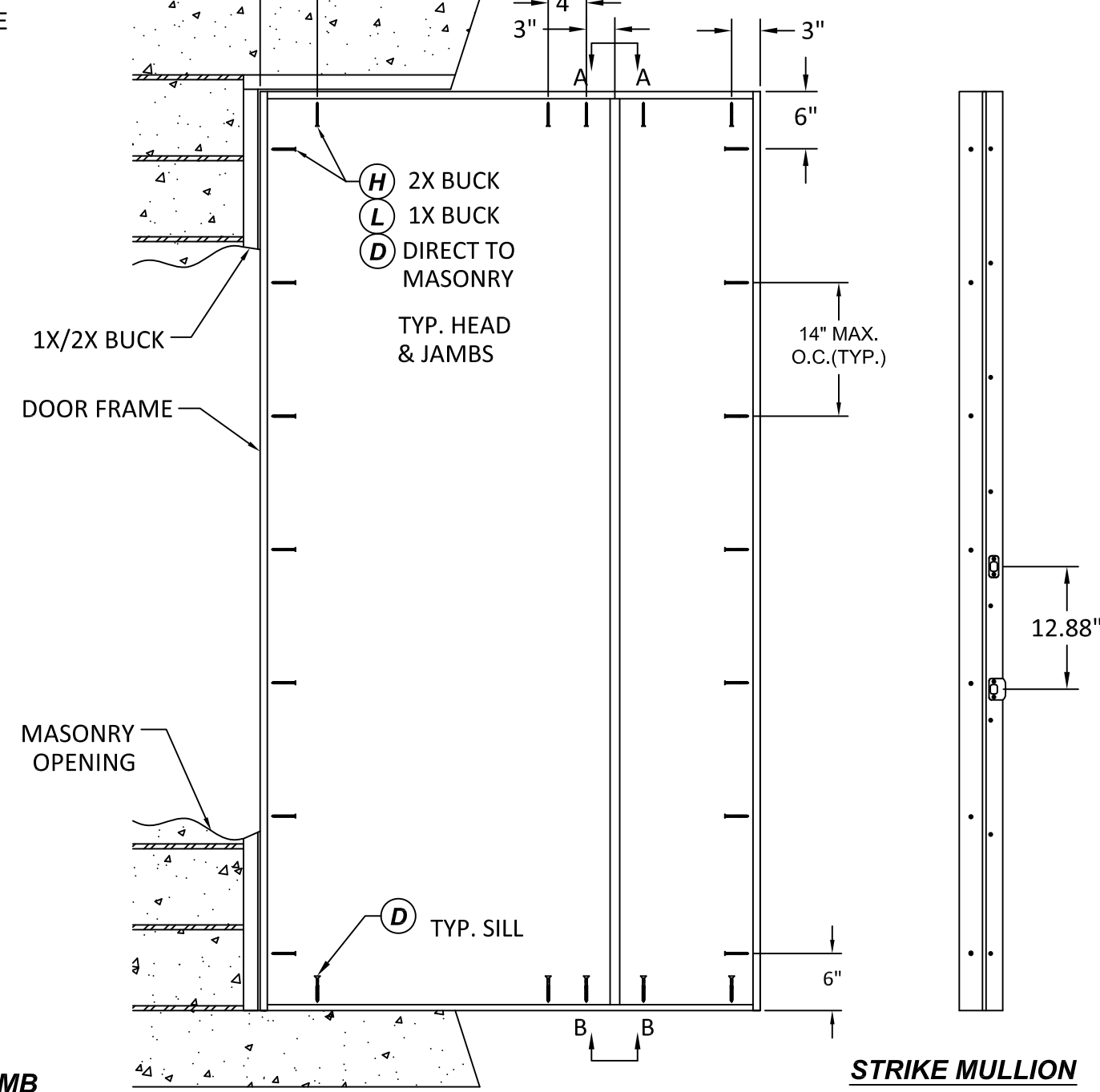
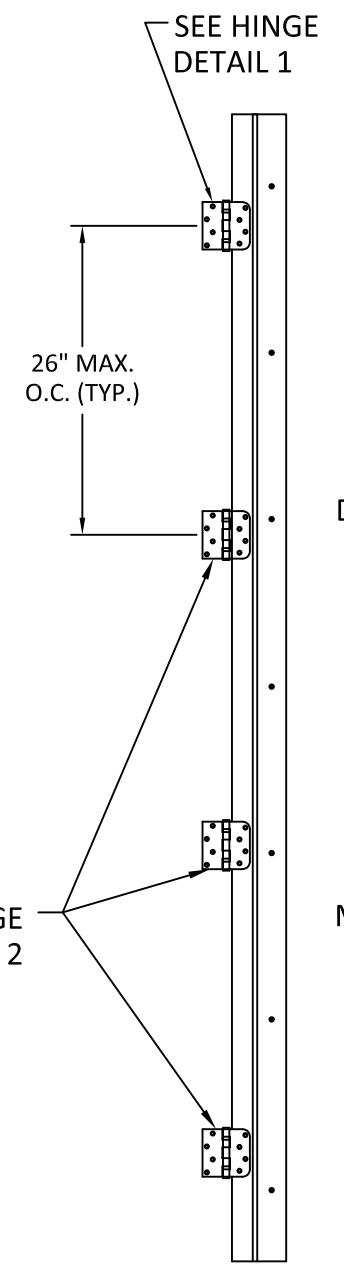
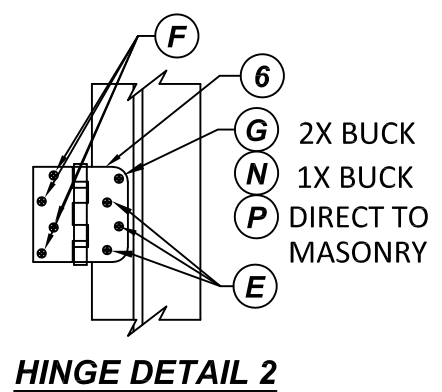
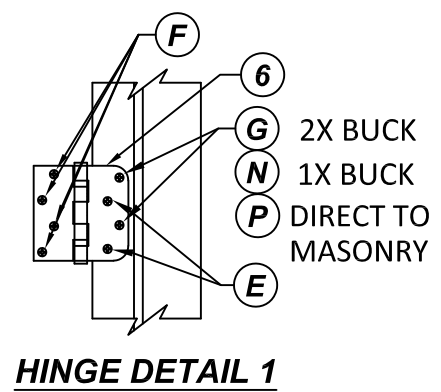
DWG. BY: **LS** CHK. BY: **HFN**

SCALE: **NTS**

DWG. #: **TGI014**

SHEET: **17**
OF 28

10/18/2023 1:23 PM



CONCRETE ANCHOR NOTES:

1. Concrete anchor locations noted as "MAX ON CENTER" and at the corners must be adjusted to maintain min. edge distance to mortar joints. Additional concrete anchors may be required to ensure the "MAX ON CENTER" dimensions are not exceeded.
2. Concrete anchor table:

ANCHOR TYPE	ANCHOR SIZE	MIN. EMBEDMENT	MIN. CLEARANCE TO MASONRY EDGE	MIN CLEARANCE TO ADJUSTMENT ANCHOR
ITW BUILDEX TAPCON®	1/4"	1-1/4"	2"	4"
DEWALT ULTRACON+®	1/4"	1-1/4"	1"	4"
ITW BUILDEX TAPCON®	3/16"	1-1/4"	3"	1-1/2"

WOOD SCREW INSTALLATION NOTES:

1. Maintain a min. 5/8" edge distance, & 1" o.c. spacing of wood screws to prevent splitting of wood.



33615 1ST WAY S
FEDERAL WAY, WA 98003
PH: (253) 875-7300

TITLE: 8'0" OPAQUE FIBERGLASS
DOOR - INSWING/OUTSWING
(HVHZ) (NON-IMPACT)
FRAME ANCHORING

PREPARED BY: BUILDING DROPS, INC.
1900 NE MIAMI CT. SUITE 2-15
MIAMI, FL 33132
PH: (954) 399-8478
FAX: (954) 744-4738
WEB: www.buildingdrops.com

REMARKS	BY	DATE
2023 FBC UPDATE	MS	10/11/23

THE INSTALLATION DETAILS DESCRIBED HEREIN ARE GENERIC AND MAY NOT REFLECT ACTUAL CONDITIONS FOR A SPECIFIC SITE. IF SITE CONDITIONS CAUSE INSTALLATION TO DEVIATE FROM THE REQUIREMENTS DETAILED HEREIN, A LICENSED ENGINEER OR ARCHITECT SHALL PREPARE SITE SPECIFIC DOCUMENTS FOR USE WITH THIS DOCUMENT.

HERMES F. NORERO, P.E.
FLORIDA P.E. No. 73778
BUILDING DROPS, INC
1900 NE MIAMI CT. SUITE 2-15
MIAMI, FL 33132
FBPE CERT. OF AUTHORIZATION No. 29578

FL #: **FL20867**

DATE: **07.14.2016**

DWG. BY: **LS** CHK. BY: **HFN**

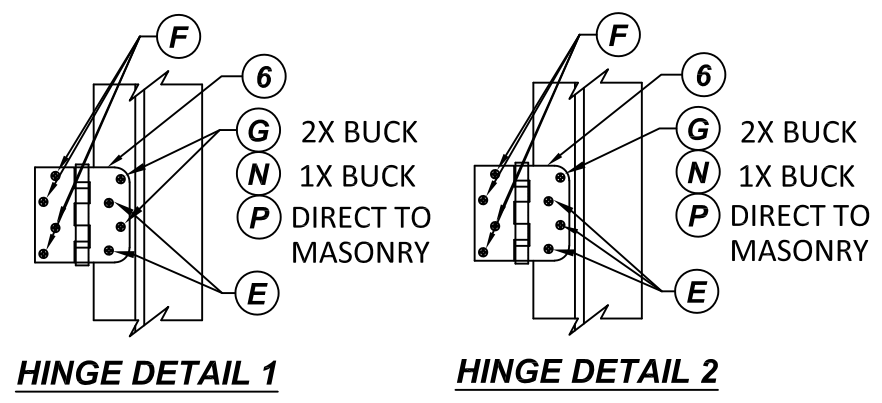
SCALE: **NTS**

DWG. #: **TG1014**

SHEET: **18**

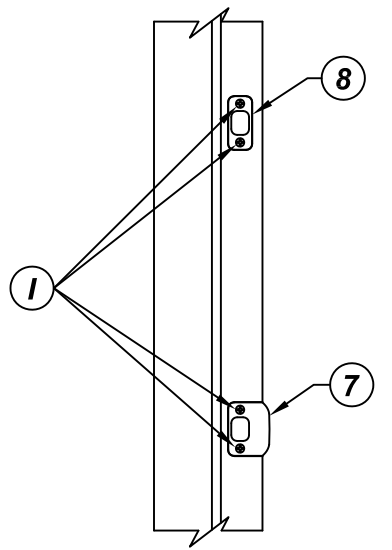
OF 28

10/18/2023 1:23 PM

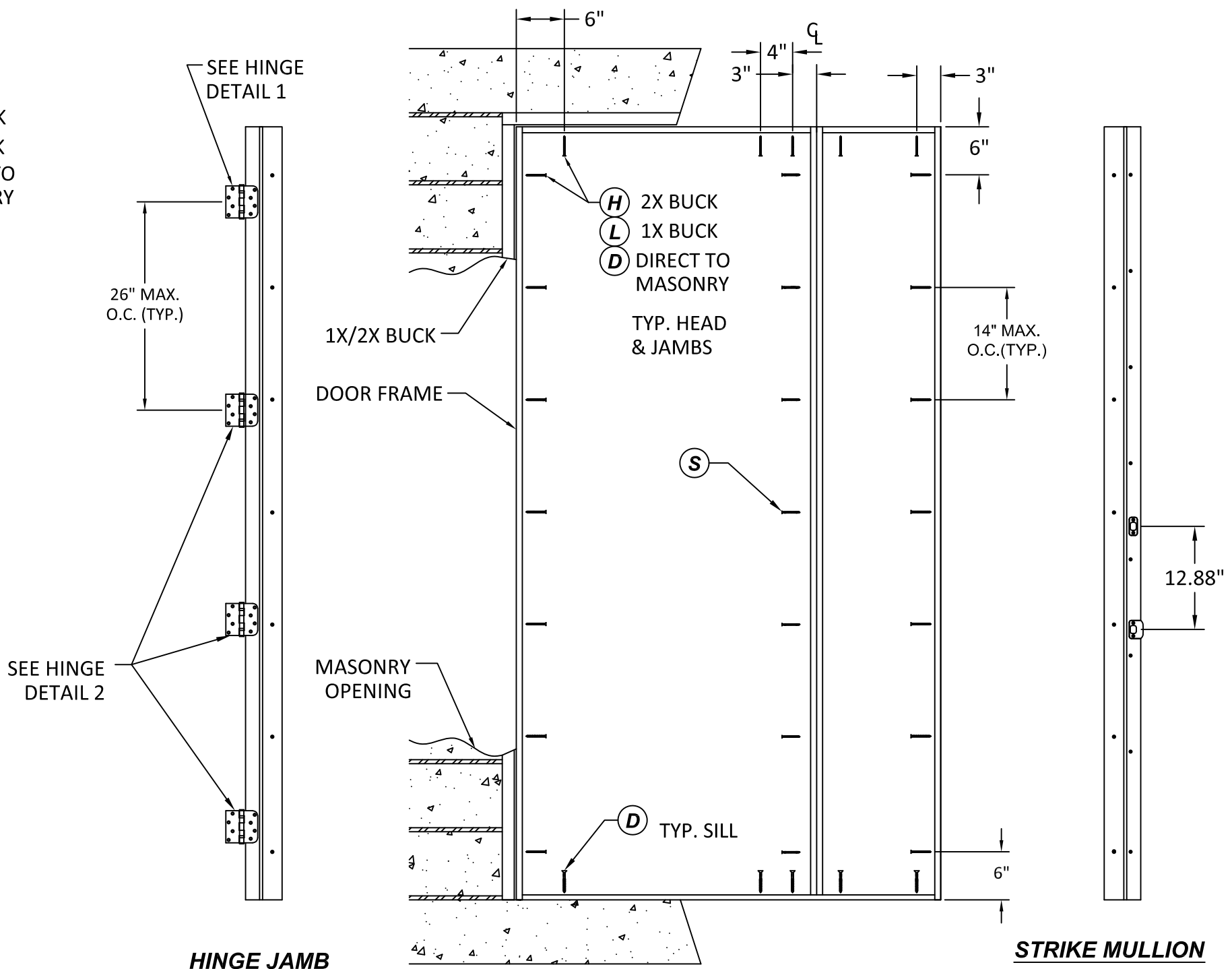


HINGE DETAIL 1

HINGE DETAIL 2



STRIKE PLATE DETAIL



HINGE JAMB

FRAMES ANCHORING
Masonry construction

STRIKE MULLION

CONCRETE ANCHOR NOTES:

1. Concrete anchor locations noted as "MAX ON CENTER" and at the corners must be adjusted to maintain min. edge distance to mortar joints. Additional concrete anchors may be required to ensure the "MAX ON CENTER" dimensions are not exceeded.
2. Concrete anchor table:

ANCHOR TYPE	ANCHOR SIZE	MIN. EMBEDMENT	MIN. CLEARANCE TO MASONRY EDGE	MIN CLEARANCE TO ADJUSTMENT ANCHOR
ITW BUILDEX TAPCON®	1/4"	1-1/4"	2"	4"
DEWALT ULTRACON+®	1/4"	1-1/4"	1"	4"
ITW BUILDEX TAPCON®	3/16"	1-1/4"	3"	1-1/2"

WOOD SCREW INSTALLATION NOTES:

1. Maintain a min. 5/8" edge distance, & 1" o.c. spacing of wood screws to prevent splitting of wood.



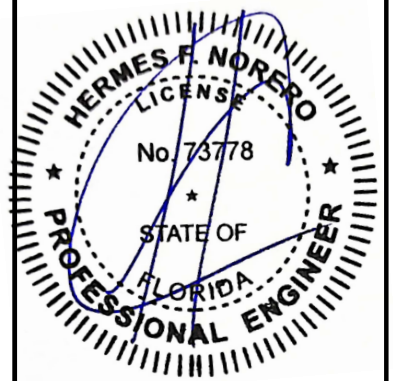
33615 1ST WAY S
FEDERAL WAY, WA 98003
PH: (253) 875-7300

TITLE: 8'0" OPAQUE FIBERGLASS DOOR - INSWING/OUTSWING (HVHZ) (NON-IMPACT) **FRAME ANCHORING**

PREPARED BY: BUILDING DROPS, INC.
1900 NE MIAMI CT, SUITE 2-15
MIAMI, FL 33132
PH: (954) 399-8478
FAX: (954) 744-4738
WEB: www.buildingdrops.com

REMARKS	BY	DATE
2023 FBC UPDATE	MS	10/11/23

THE INSTALLATION DETAILS DESCRIBED HEREIN ARE GENERIC AND MAY NOT REFLECT ACTUAL CONDITIONS FOR A SPECIFIC SITE. IF SITE CONDITIONS CAUSE INSTALLATION TO DEVIATE FROM THE REQUIREMENTS DETAILED HEREIN, A LICENSED ENGINEER OR ARCHITECT SHALL PREPARE SITE SPECIFIC DOCUMENTS FOR USE WITH THIS DOCUMENT.



HERMES F. NORERO, P.E.
FLORIDA P.E. No. 73778
BUILDING DROPS, INC
1900 NE MIAMI CT, SUITE 2-15
MIAMI, FL 33132
FBPE CERT. OF AUTHORIZATION No. 29578

FL #: FL20867

DATE: 07.14.2016

DWG. BY: LS **CHK. BY:** HFN

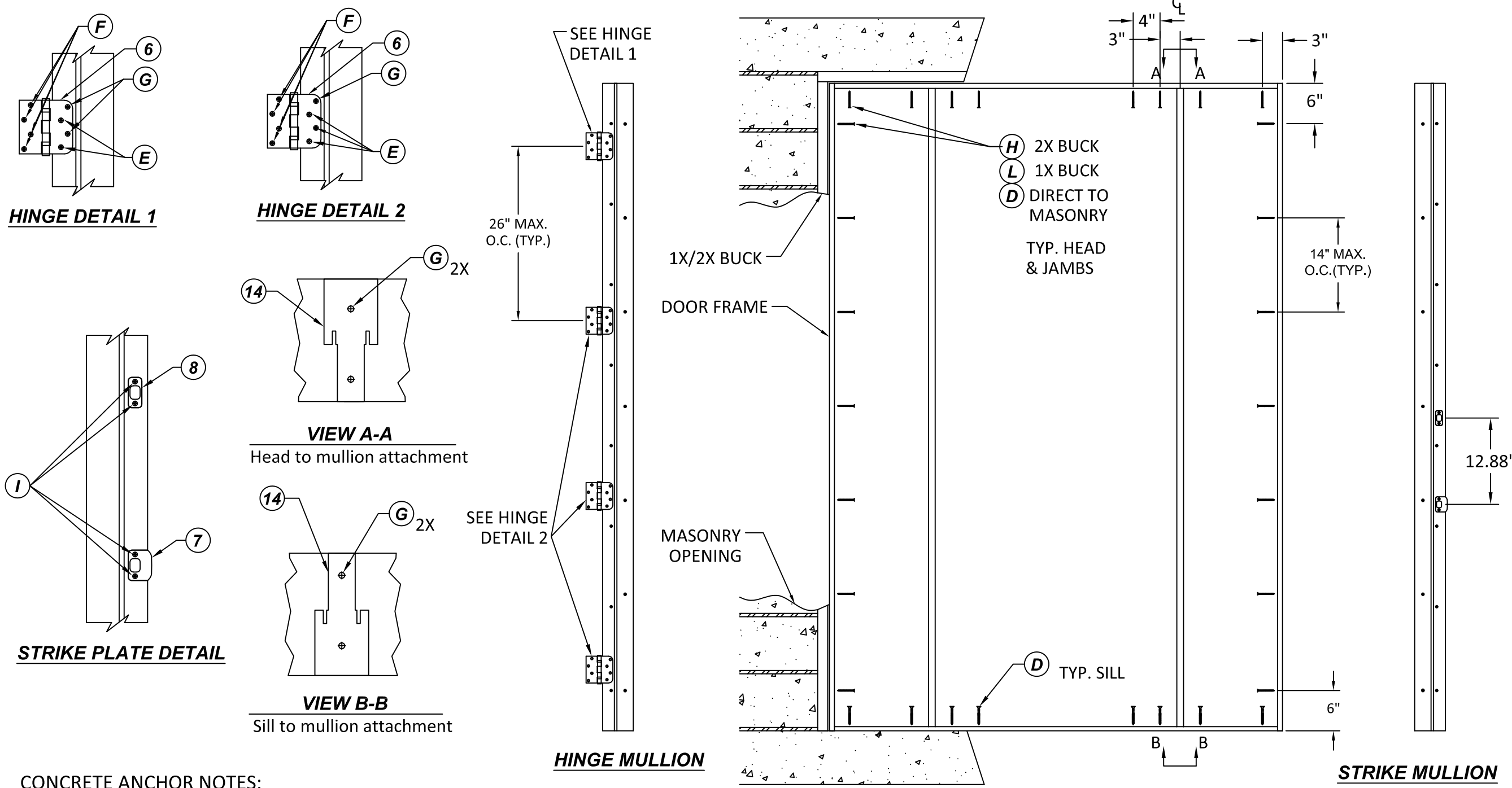
SCALE: NTS

DWG. #: TGI014

SHEET: 19

s:\projects\trinity_glass_international\cc-23-1006 - fbc submittal - 2023 code change\dwgs\tgi014.dwg

10/18/2023 1:24 PM



CONCRETE ANCHOR NOTES:

1. Concrete anchor locations noted as "MAX ON CENTER" and at the corners must be adjusted to maintain min. edge distance to mortar joints. Additional concrete anchors may be required to ensure the "MAX ON CENTER" dimensions are not exceeded.
2. Concrete anchor table:

ANCHOR TYPE	ANCHOR SIZE	MIN. EMBEDMENT	MIN. CLEARANCE TO MASONRY EDGE	MIN CLEARANCE TO ADJUSTMENT ANCHOR
ITW BUILDEX TAPCON®	1/4"	1-1/4"	2"	4"
DEWALT ULTRAACON+®	1/4"	1-1/4"	1"	4"
ITW BUILDEX TAPCON®	3/16"	1-1/4"	3"	1-1/2"

WOOD SCREW INSTALLATION NOTES:

1. Maintain a min. 5/8" edge distance, & 1" o.c. spacing of wood screws to prevent splitting of wood.



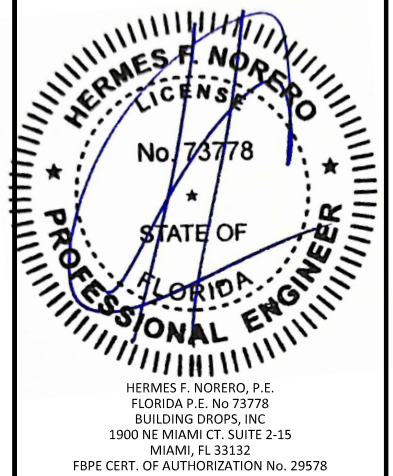
33615 1ST WAY S
FEDERAL WAY, WA 98003
PH: (253) 875-7300

TITLE: 8'0" OPAQUE FIBERGLASS
DOOR - INSWING/OUTSWING
(HVHZ) (NON-IMPACT)
FRAME ANCHORING

PREPARED BY: BUILDING DROPS, INC.
1900 NE MIAMI CT. SUITE 2-15
MIAMI, FL 33132
PH: (954) 399-8478
FAX: (954) 744-4738
WEB: www.buildingdrops.com

REMARKS	BY	DATE
2023 FBC UPDATE	MS	10/11/23

THE INSTALLATION DETAILS DESCRIBED HEREIN ARE GENERIC AND MAY NOT REFLECT ACTUAL CONDITIONS FOR A SPECIFIC SITE. IF SITE CONDITIONS CAUSE INSTALLATION TO DEVIATE FROM THE REQUIREMENTS DETAILED HEREIN, A LICENSED ENGINEER OR ARCHITECT SHALL PREPARE SITE SPECIFIC DOCUMENTS FOR USE WITH THIS DOCUMENT.



HERMES F. NORERO, P.E.
FLORIDA P.E. No. 73778
BUILDING DROPS, INC
1900 NE MIAMI CT. SUITE 2-15
MIAMI, FL 33132
FBPE CERT. OF AUTHORIZATION No. 29578

FL #: **FL20867**

DATE: **07.14.2016**

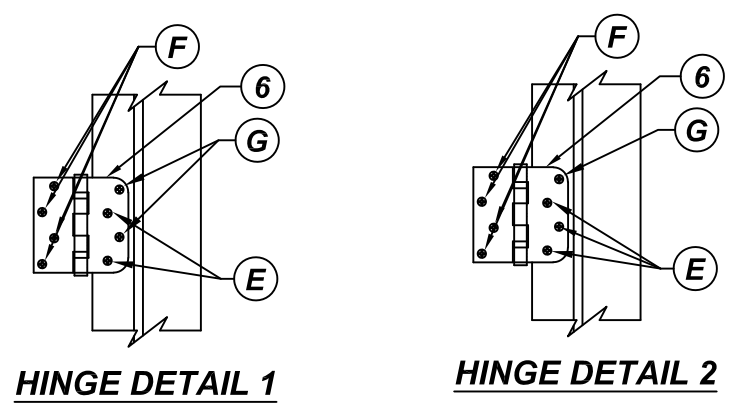
DWG. BY: **LS** CHK. BY: **HFN**

SCALE: **NTS**

DWG. #: **TGI014**

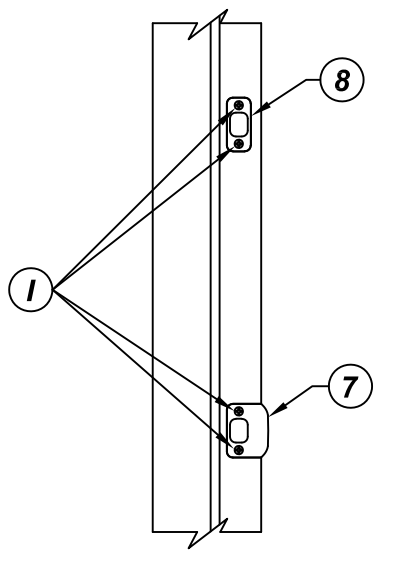
SHEET: **20**

10/18/2023 1:24 PM

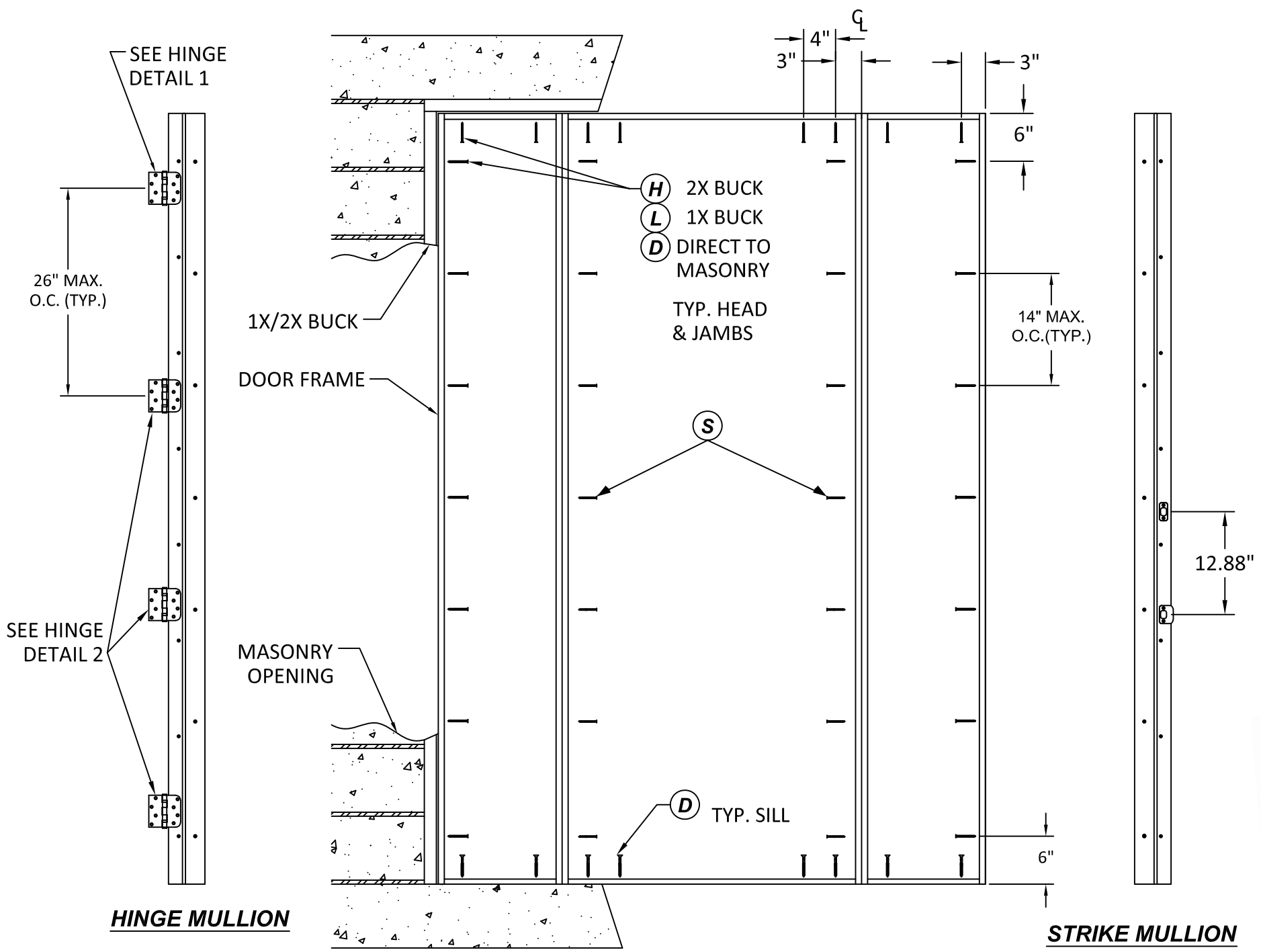


HINGE DETAIL 1

HINGE DETAIL 2



STRIKE PLATE DETAIL



FRAMING ANCHORING
Masonry construction

CONCRETE ANCHOR NOTES:

1. Concrete anchor locations noted as "MAX ON CENTER" and at the corners must be adjusted to maintain min. edge distance to mortar joints. Additional concrete anchors may be required to ensure the "MAX ON CENTER" dimensions are not exceeded.
2. Concrete anchor table:

ANCHOR TYPE	ANCHOR SIZE	MIN. EMBEDMENT	MIN. CLEARANCE TO MASONRY EDGE	MIN CLEARANCE TO ADJUSTMENT ANCHOR
ITW BUILDDEX TAPCON®	1/4"	1-1/4"	2"	4"
DEWALT ULTRACON+®	1/4"	1-1/4"	1"	4"
ITW BUILDDEX TAPCON®	3/16"	1-1/4"	3"	1-1/2"

WOOD SCREW INSTALLATION NOTES:

1. Maintain a min. 5/8" edge distance, & 1" o.c. spacing of wood screws to prevent splitting of wood.



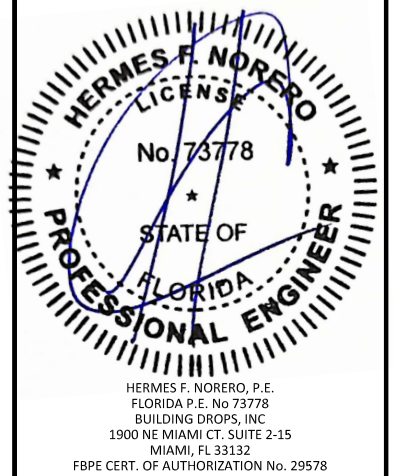
33615 1ST WAY S
FEDERAL WAY, WA 98003
PH: (253) 875-7300

TITLE: 8'0" OPAQUE FIBERGLASS
DOOR - INSWING/OUTSWING
(HVHZ) (NON-IMPACT)
FRAME ANCHORING

PREPARED BY: BUILDING DROPS, INC.
1900 NE MIAMI CT. SUITE 2-15
MIAMI, FL 33132
PH: (954) 399-8478
FAX: (954) 744-4738
WEB: www.buildingdrops.com

REMARKS	BY	DATE
2023 FBC UPDATE	MS	10/11/23

THE INSTALLATION DETAILS DESCRIBED HEREIN ARE GENERIC AND MAY NOT REFLECT ACTUAL CONDITIONS FOR A SPECIFIC SITE. IF SITE CONDITIONS CAUSE INSTALLATION TO DEVIATE FROM THE REQUIREMENTS DETAILED HEREIN, A LICENSED ENGINEER OR ARCHITECT SHALL PREPARE SITE SPECIFIC DOCUMENTS FOR USE WITH THIS DOCUMENT.



HERMES F. NORERO, P.E.
FLORIDA P.E. No. 73778
BUILDING DROPS, INC
1900 NE MIAMI CT. SUITE 2-15
MIAMI, FL 33132
FBPE CERT. OF AUTHORIZATION No. 29578

FL #: **FL20867**

DATE: **07.14.2016**

DWG. BY: **LS** CHK. BY: **HFN**

SCALE: **NTS**

DWG. #: **TGI014**

SHEET: **21**

s:\projects\trinity_glass_international\cc-23-1006-fbc-submittal-2023-code-change\dwg\tgi014.dwg

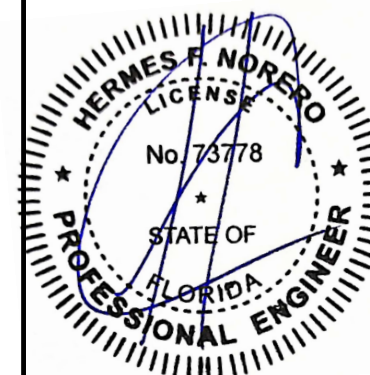
TITLE: 8'0" OPAQUE FIBERGLASS
DOOR - INSWING/OUTSWING
(HVHZ) (NON-IMPACT)
BUCK ANCHORING

PREPARED BY:
BUILDING DROPS, INC.
1900 NE MIAMI CT, SUITE 2-15
MIAMI, FL 33132
PH: (954) 399-8478
FAX: (954) 744-4738
WEB: www.buildingdrops.com



REMARKS	BY	DATE
2023 FBC UPDATE	MS	10/11/23

THE INSTALLATION DETAILS DESCRIBED HEREIN ARE GENERIC AND MAY NOT REFLECT ACTUAL CONDITIONS FOR A SPECIFIC SITE. IF SITE CONDITIONS CAUSE INSTALLATION TO DEVIATE FROM THE REQUIREMENTS DETAILED HEREIN, A LICENSED ENGINEER OR ARCHITECT SHALL PREPARE SITE SPECIFIC DOCUMENTS FOR USE WITH THIS DOCUMENT.



HERMES F. NORERO, P.E.
FLORIDA P.E. No. 73778
BUILDING DROPS, INC.
1900 NE MIAMI CT, SUITE 2-15
MIAMI, FL 33132
FBPE CERT. OF AUTHORIZATION No. 29578

FL #: **FL20867**

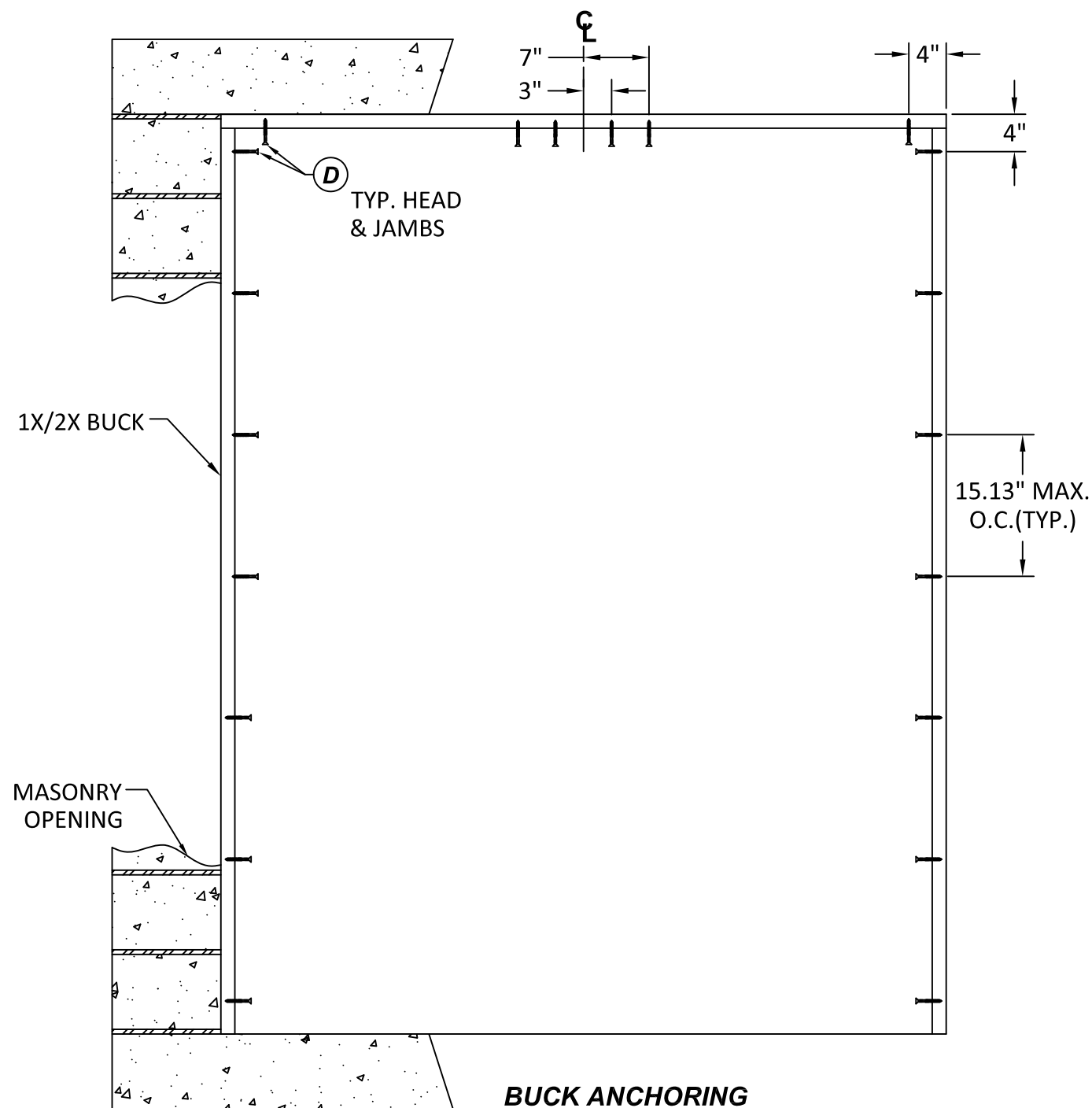
DATE: **07.14.2016**

DWG. BY: **LS** CHK. BY: **HFN**

SCALE: **NTS**

DWG. #: **TGI014**

SHEET: **22**



BUCK ANCHORING

CONCRETE ANCHOR NOTES:

1. Concrete anchor locations noted as "MAX ON CENTER" and at the corners must be adjusted to maintain min. edge distance to mortar joints. Additional concrete anchors may be required to ensure the "MAX ON CENTER" dimensions are not exceeded.
2. Concrete anchor table:

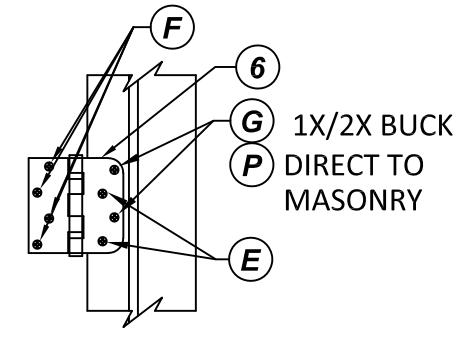
ANCHOR TYPE	ANCHOR SIZE	MIN. EMBEDMENT	MIN. CLEARANCE TO MASONRY EDGE	MIN CLEARANCE TO ADJUSTMENT ANCHOR
ITW BUILDEX TAPCON®	1/4"	1-1/4"	2"	4"
DEWALT ULTRACON+®	1/4"	1-1/4"	1"	4"
ITW BUILDEX TAPCON®	3/16"	1-1/4"	3"	1-1/2"

WOOD SCREW INSTALLATION NOTES:

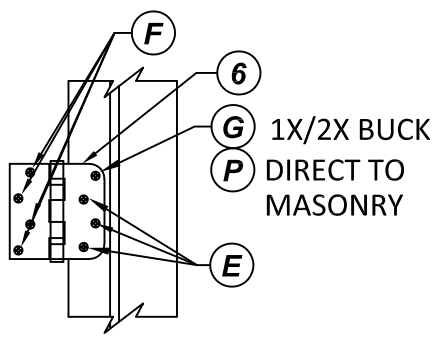
1. Maintain a min. 5/8" edge distance, & 1" o.c. spacing of wood screws to prevent splitting of wood.

10/18/2023 1:24 PM

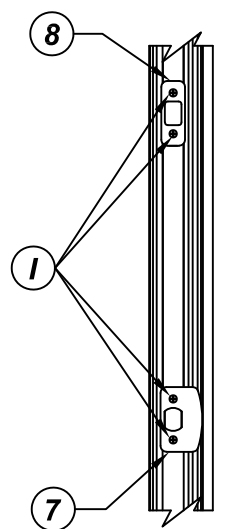
s:\projects\trinity_glass_international\cc-23-1006 - fbc submittal - 2023 code change\dwg\tgi014.dwg



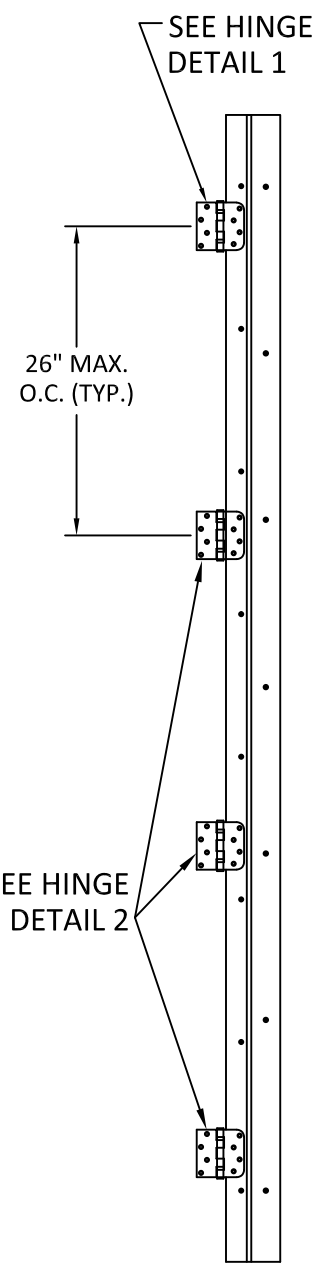
HINGE DETAIL 1



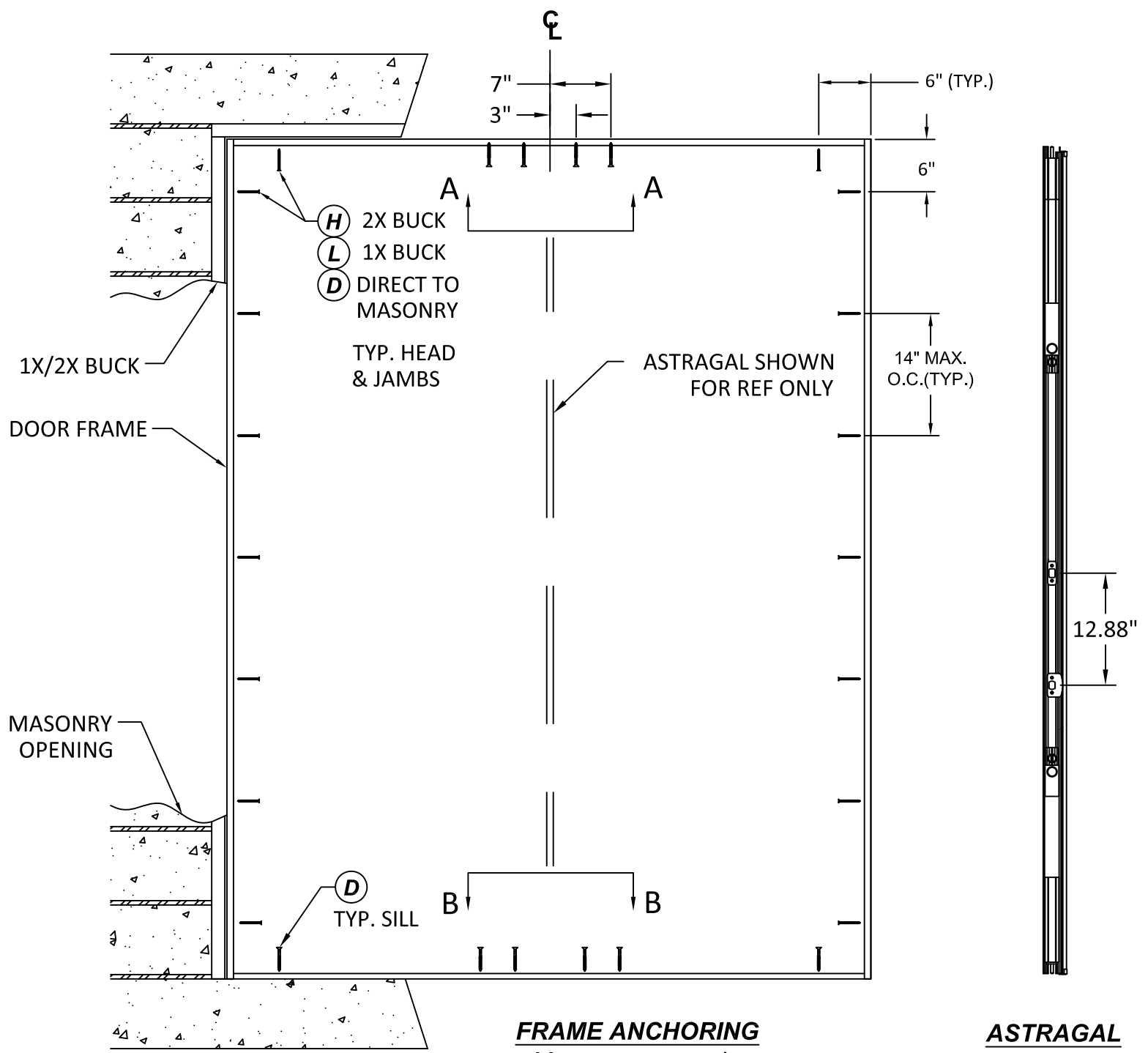
HINGE DETAIL 2



STRIKE PLATE DETAIL

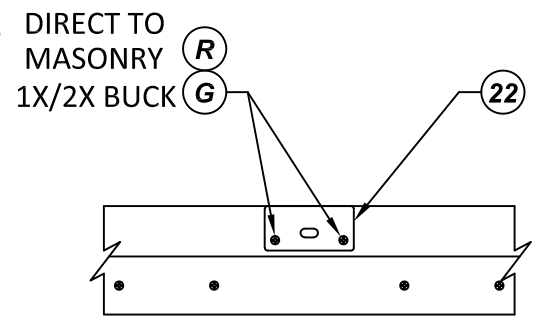


HINGE JAMB

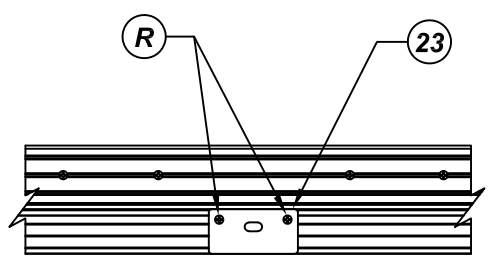


FRAME ANCHORING
Masonry construction

ASTRAGAL



VIEW A-A
Astragal Strike @ Head



VIEW B-B
Astragal Strike @ Sill

CONCRETE ANCHOR NOTES:

1. Concrete anchor locations noted as "MAX ON CENTER" and at the corners must be adjusted to maintain min. edge distance to mortar joints. Additional concrete anchors may be required to ensure the "MAX ON CENTER" dimensions are not exceeded.
2. Concrete anchor table:

ANCHOR TYPE	ANCHOR SIZE	MIN. EMBEDMENT	MIN. CLEARANCE TO MASONRY EDGE	MIN CLEARANCE TO ADJUSTMENT ANCHOR
ITW BUILDEX TAPCON®	1/4"	1-1/4"	2"	4"
DEWALT ULTRAACON+®	1/4"	1-1/4"	1"	4"
ITW BUILDEX TAPCON®	3/16"	1-1/4"	3"	1-1/2"

WOOD SCREW INSTALLATION NOTES:

1. Maintain a min. 5/8" edge distance, & 1" o.c. spacing of wood screws to prevent splitting of wood.



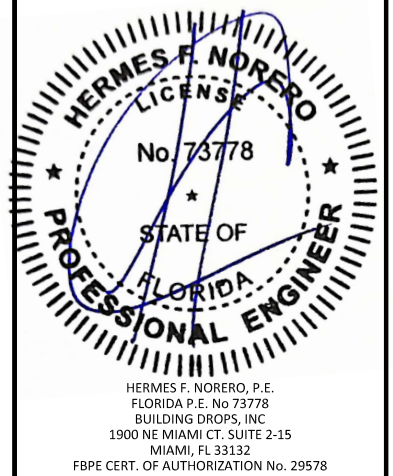
33615 1ST WAY S
FEDERAL WAY, WA 98003
PH: (253) 875-7300

TITLE: 8'0" OPAQUE FIBERGLASS DOOR - INSWING/OUTSWING (HVHZ) (NON-IMPACT) **FRAME ANCHORING**

PREPARED BY: BUILDING DROPS, INC.
1900 NE MIAMI CT, SUITE 2-15
MIAMI, FL 33132
PH: (954) 399-8478
FAX: (954) 744-4738
WEB: www.buildingdrops.com

REMARKS	BY	DATE
2023 FBC UPDATE	MS	10/11/23

THE INSTALLATION DETAILS DESCRIBED HEREIN ARE GENERIC AND MAY NOT REFLECT ACTUAL CONDITIONS FOR A SPECIFIC SITE. IF SITE CONDITIONS CAUSE INSTALLATION TO DEVIATE FROM THE REQUIREMENTS DETAILED HEREIN, A LICENSED ENGINEER OR ARCHITECT SHALL PREPARE SITE SPECIFIC DOCUMENTS FOR USE WITH THIS DOCUMENT.



FL #: **FL20867**

DATE: **07.14.2016**

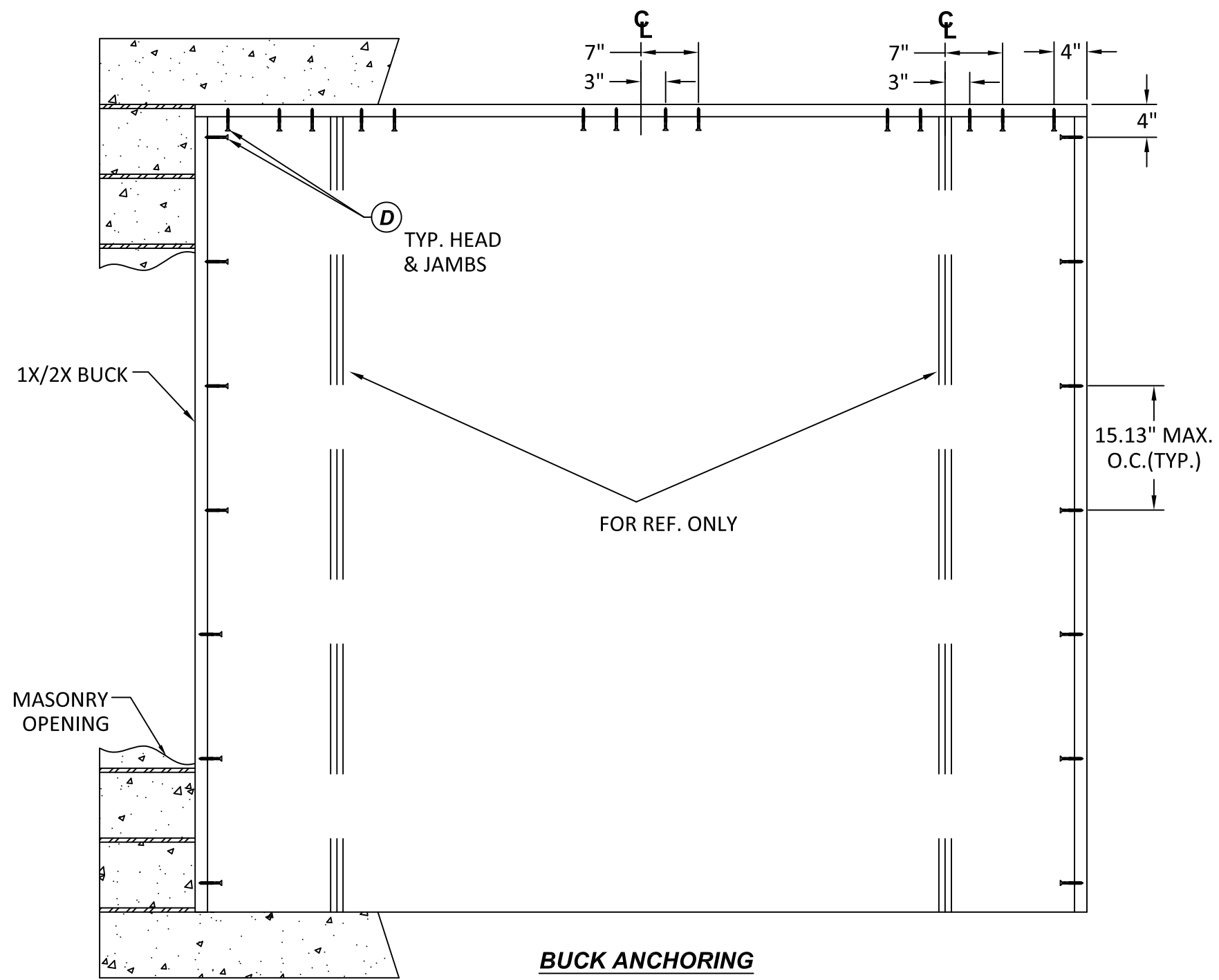
DWG. BY: **LS** CHK. BY: **HFN**

SCALE: **NTS**

DWG. #: **TGI014**

SHEET: **23**
OF 28

10/18/2023 1:24 PM



BUCK ANCHORING

CONCRETE ANCHOR NOTES:

1. Concrete anchor locations noted as "MAX ON CENTER" and at the corners must be adjusted to maintain min. edge distance to mortar joints. Additional concrete anchors may be required to ensure the "MAX ON CENTER" dimensions are not exceeded.

3. Concrete anchor table:

ANCHOR TYPE	ANCHOR SIZE	MIN. EMBEDMENT	MIN. CLEARANCE TO MASONRY EDGE	MIN CLEARANCE TO ADJUSTMENT ANCHOR
ITW BUILDEX TAPCON®	1/4"	1-1/4"	2"	4"
DEWALT ULTRACON+®	1/4"	1-1/4"	1"	4"
ITW BUILDEX TAPCON®	3/16"	1-1/4"	3"	1-1/2"

WOOD SCREW INSTALLATION NOTES:

1. Maintain a min. 5/8" edge distance, & 1" o.c. spacing of wood screws to prevent splitting of wood.



33615 1ST WAY S
FEDERAL WAY, WA 98003
PH: (253) 875-7300

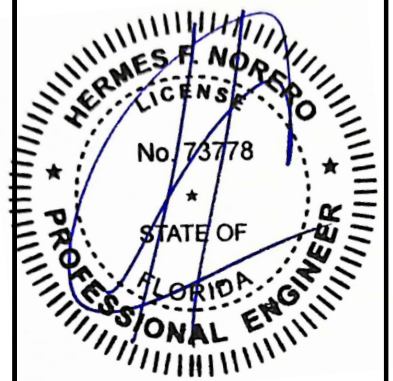
TITLE: 8'0" OPAQUE FIBERGLASS
DOOR - INSWING/OUTSWING
(HVHZ) (NON-IMPACT)
BUCK ANCHORING

PREPARED BY:
BUILDING DROPS, INC.
1900 NE MIAMI CT, SUITE 2-15
MIAMI, FL 33132
PH: (954) 399-8478
FAX: (954) 744-4738
WEB: www.buildingdrops.com



REMARKS	BY	DATE
2023 FBC UPDATE	MS	10/11/23

THE INSTALLATION DETAILS DESCRIBED HEREIN ARE GENERIC AND MAY NOT REFLECT ACTUAL CONDITIONS FOR A SPECIFIC SITE. IF SITE CONDITIONS CAUSE INSTALLATION TO DEVIATE FROM THE REQUIREMENTS DETAILED HEREIN, A LICENSED ENGINEER OR ARCHITECT SHALL PREPARE SITE SPECIFIC DOCUMENTS FOR USE WITH THIS DOCUMENT.

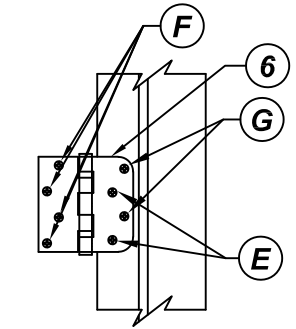


HERMES F. NORERO, P.E.
FLORIDA P.E. No. 73778
BUILDING DROPS, INC.
1900 NE MIAMI CT, SUITE 2-15
MIAMI, FL 33132
FBPE CERT. OF AUTHORIZATION No. 29578

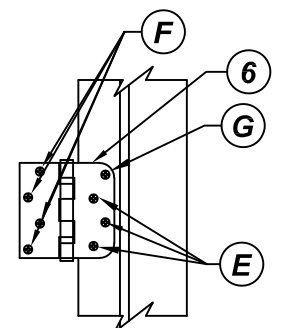
FL #:	FL20867
DATE:	07.14.2016
DWG. BY:	LS
CHK. BY:	HFN
SCALE:	NTS
DWG. #:	TGI014
SHEET:	24

s:\projects\trinity glass international\cc-23-1006 - fbc submittal - 2023 code change\dwg\tgi014.dwg

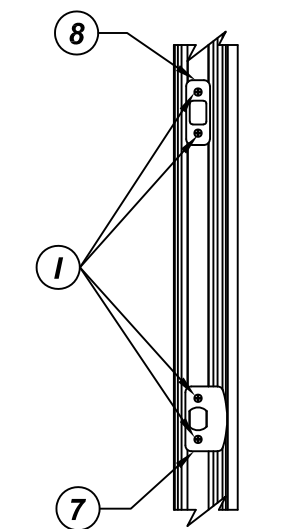
10/18/2023 1:24 PM



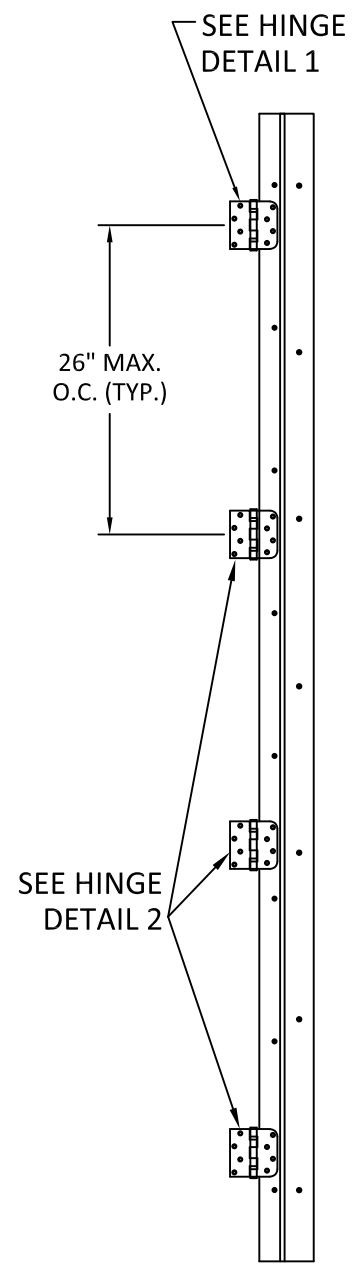
HINGE DETAIL 1



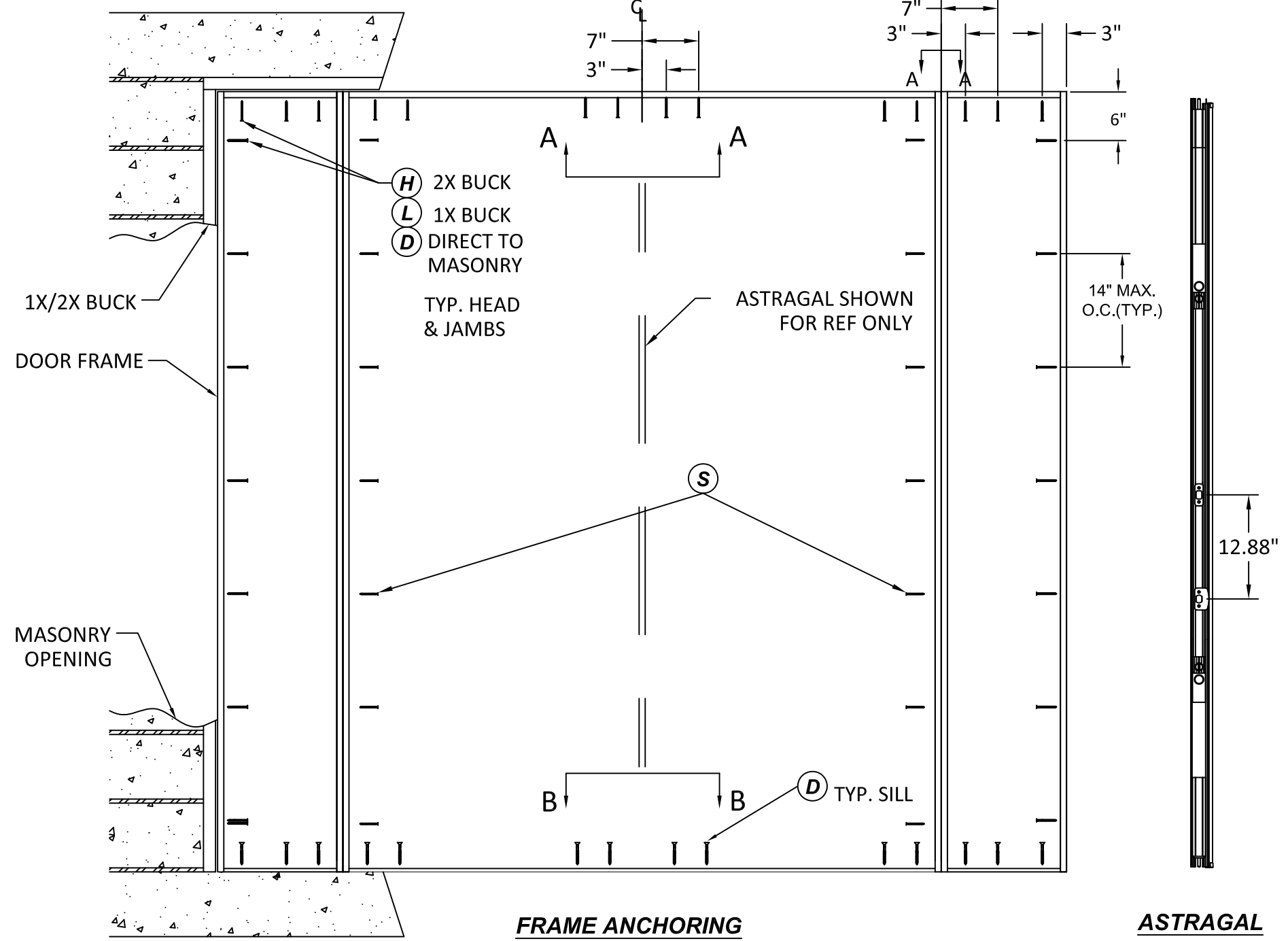
HINGE DETAIL 2



STRIKE PLATE DETAIL



HINGE JAMB



FRAME ANCHORING

ASTRAGAL

CONCRETE ANCHOR NOTES:

1. Concrete anchor locations noted as "MAX ON CENTER" and at the corners must be adjusted to maintain min. edge distance to mortar joints. Additional concrete anchors may be required to ensure the "MAX ON CENTER" dimensions are not exceeded.
2. Concrete anchor table:

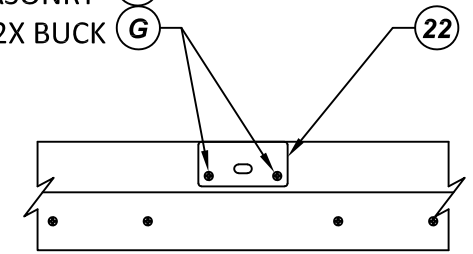
ANCHOR TYPE	ANCHOR SIZE	MIN. EMBEDMENT	MIN. CLEARANCE TO MASONRY EDGE	MIN CLEARANCE TO ADJUSTMENT ANCHOR
ITW BUILDEX TAPCON®	1/4"	1-1/4"	2"	4"
DEWALT ULTRAICON®	1/4"	1-1/4"	1"	4"
ITW BUILDEX TAPCON®	3/16"	1-1/4"	3"	1-1/2"

WOOD SCREW INSTALLATION NOTES:

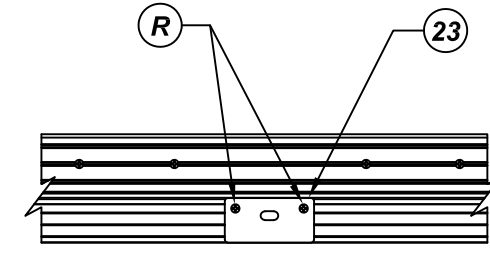
1. Maintain a min. 5/8" edge distance, & 1" o.c. spacing of wood screws to prevent splitting of wood.

FRAME ANCHORING

Masonry construction
 DIRECT TO MASONRY (R)
 1X/2X BUCK (G)



VIEW A-A
Astragal Strike @ Head



VIEW B-B
Astragal Strike @ Sill

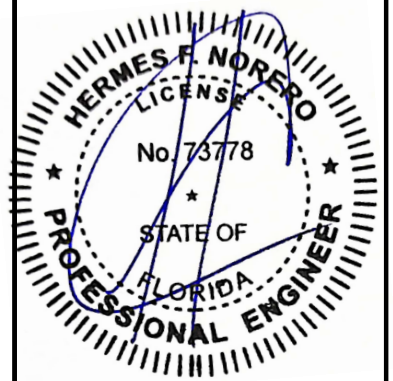


33615 1ST WAY S
 FEDERAL WAY, WA 98003
 PH: (253) 875-7300

TITLE: 8'0" OPAQUE FIBERGLASS
 DOOR - INSWING/OUTSWING
 (HVHZ) (NON-IMPACT)
 FRAME ANCHORING
 PREPARED BY: BUILDING DROPS, INC.
 1900 NE MIAMI CT. SUITE 2-15
 MIAMI, FL 33132
 PH: (954) 399-8478
 FAX: (954) 744-4738
 WEB: www.buildingdrops.com

REMARKS	BY	DATE
2023 FBC UPDATE	MS	10/11/23

THE INSTALLATION DETAILS DESCRIBED HEREIN ARE GENERIC AND MAY NOT REFLECT ACTUAL CONDITIONS FOR A SPECIFIC SITE. IF SITE CONDITIONS CAUSE INSTALLATION TO DEVIATE FROM THE REQUIREMENTS DETAILED HEREIN, A LICENSED ENGINEER OR ARCHITECT SHALL PREPARE SITE SPECIFIC DOCUMENTS FOR USE WITH THIS DOCUMENT.



HERMES F. NORERO, P.E.
 FLORIDA P.E. No. 73778
 BUILDING DROPS, INC.
 1900 NE MIAMI CT. SUITE 2-15
 MIAMI, FL 33132
 FBPE CERT. OF AUTHORIZATION No. 29578

FL #: **FL20867**

DATE: **07.14.2016**

DWG. BY: **LS** CHK. BY: **HFN**

SCALE: **NTS**

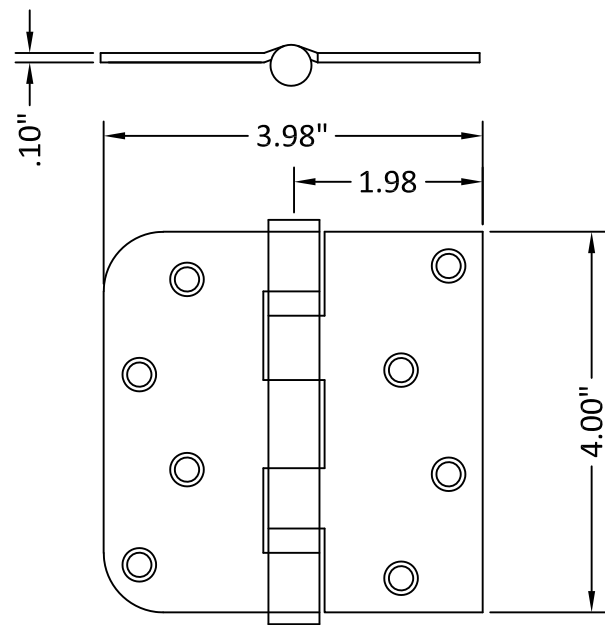
DWG. #: **TG1014**

SHEET:

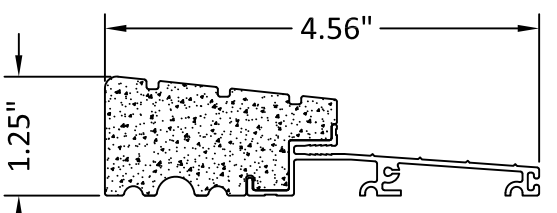
25

s:\projects\trinity_glass_international\cc-23-1006 - fbc submittal - 2023 code change\dwg\tg1014.dwg

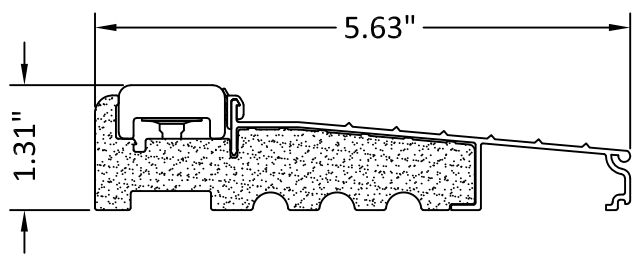
10/18/2023 1:24 PM



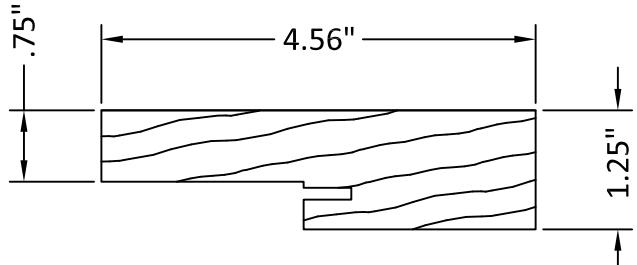
6 HINGE
MATERIAL: STEEL



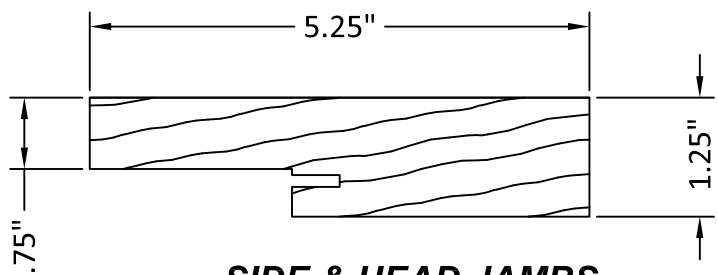
10 OUTSWING SILL
ALUMINUM WITH PVC SUBSTRATE



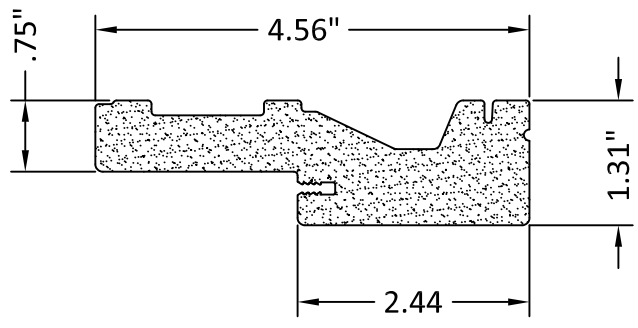
24 INSWING THRESHOLD
ALUMINUM WITH PVC SUBSTRATE



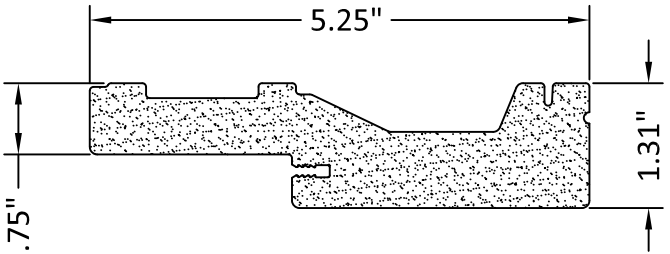
1 SIDE & HEAD JAMBS
MATERIAL: WOOD



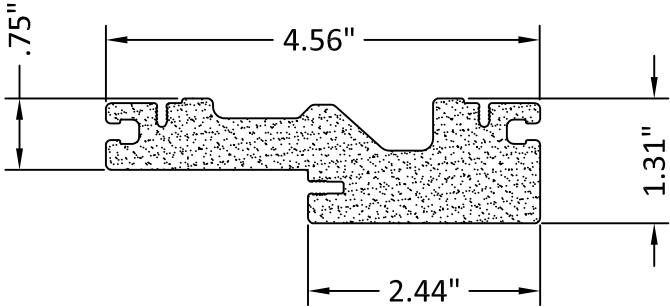
1A SIDE & HEAD JAMBS
(5-1/4" or larger)
MATERIAL: WOOD



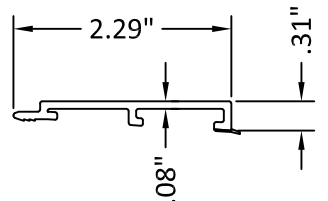
2 SIDE & HEAD JAMBS
MATERIAL: PVC



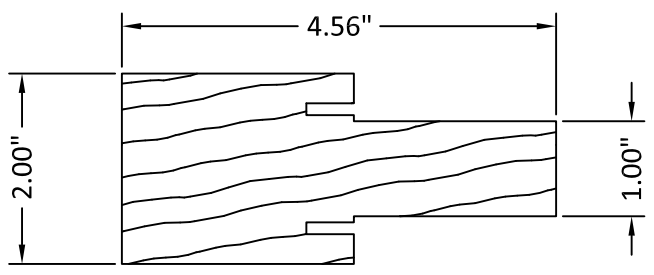
2A SIDE & HEAD JAMBS
(5-1/4" or larger)
MATERIAL: PVC



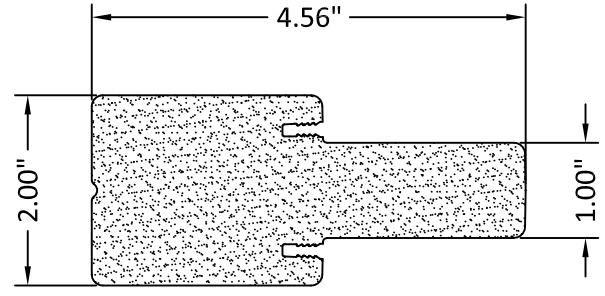
3 SIDE & HEAD JAMBS
MATERIAL: PVC



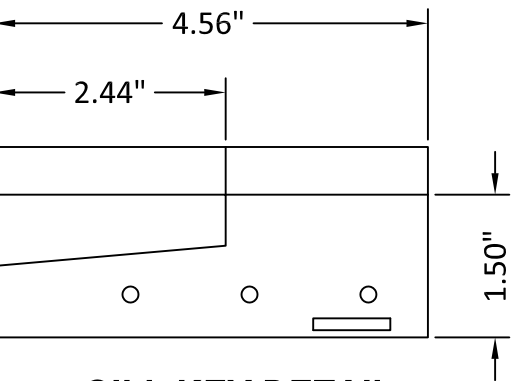
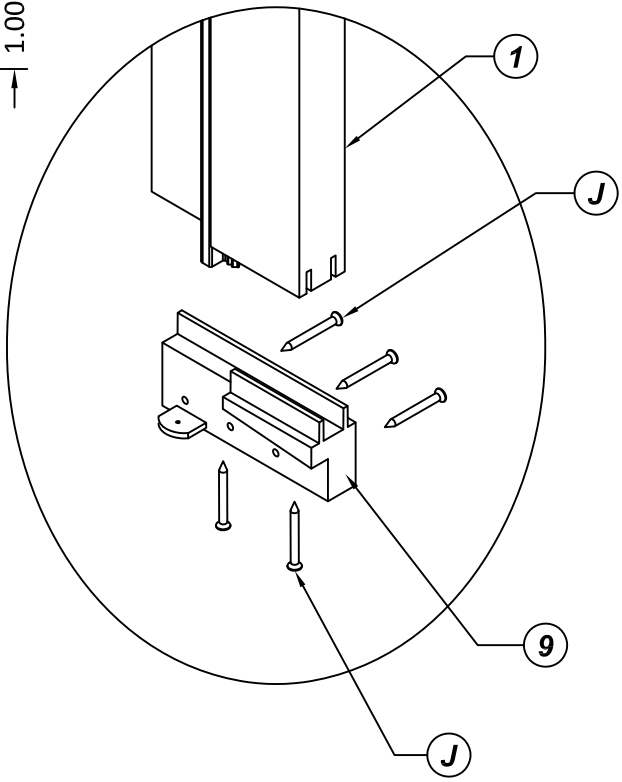
13 OUTSWING SIDELITE SPACER
MATERIAL: PVC



14 STANDARD MULLION
MATERIAL: WOOD



16 STANDARD MULLION
MATERIAL: PVC



9 SILL KEY DETAIL
OPTIONAL



33615 1ST WAY S
FEDERAL WAY, WA 98003
PH: (253) 875-7300

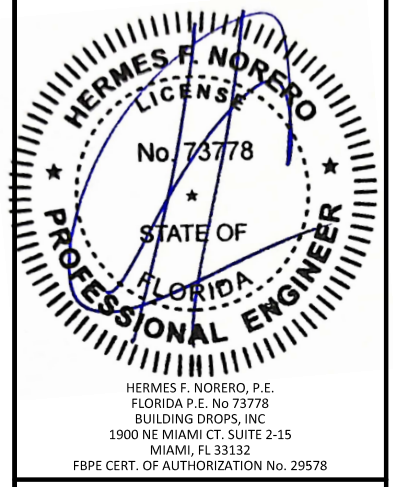
TITLE: 8'0" OPAQUE FIBERGLASS
DOOR - INSWING/OUTSWING
(HVHZ) (NON-IMPACT)

COMPONENTS

PREPARED BY:
BUILDING DROPS, INC.
1900 NE MIAMI CT. SUITE 2-15
MIAMI, FL 33132
PH: (954) 399-8478
FAX: (954) 744-4738
WEB: www.buildingdrops.com

REMARKS	BY	DATE
2023 FBC UPDATE	MS	10/11/23

THE INSTALLATION DETAILS DESCRIBED HEREIN ARE GENERIC AND MAY NOT REFLECT ACTUAL CONDITIONS FOR A SPECIFIC SITE. IF SITE CONDITIONS CAUSE INSTALLATION TO DEVIATE FROM THE REQUIREMENTS DETAILED HEREIN, A LICENSED ENGINEER OR ARCHITECT SHALL PREPARE SITE SPECIFIC DOCUMENTS FOR USE WITH THIS DOCUMENT.



FL #: **FL20867**

DATE: **07.14.2016**

DWG. BY: **LS** CHK. BY: **HFN**

SCALE: **NTS**

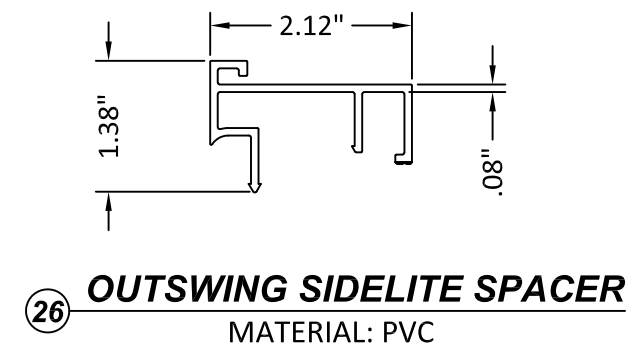
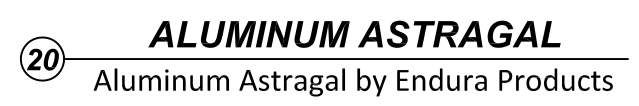
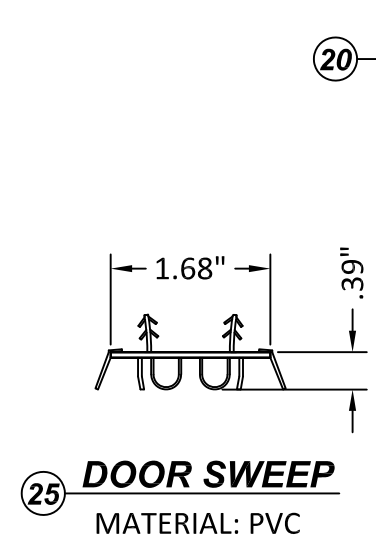
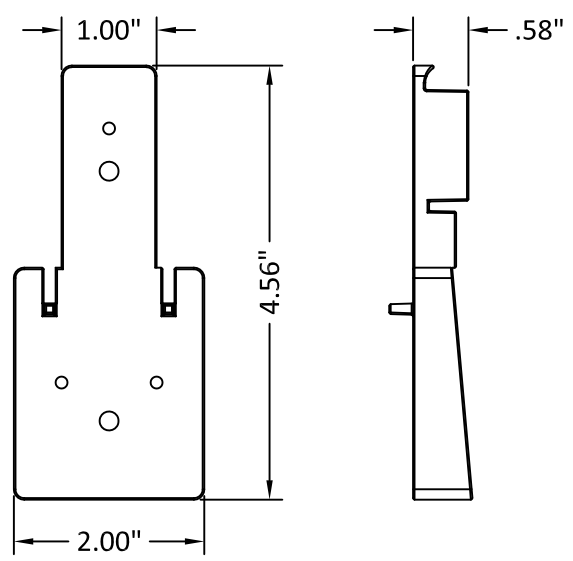
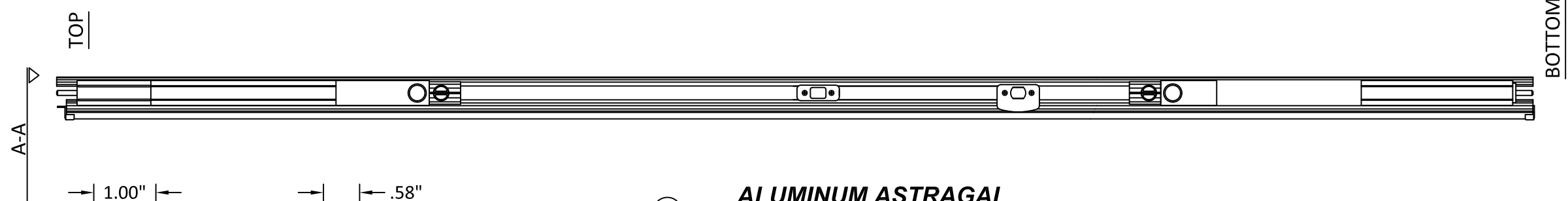
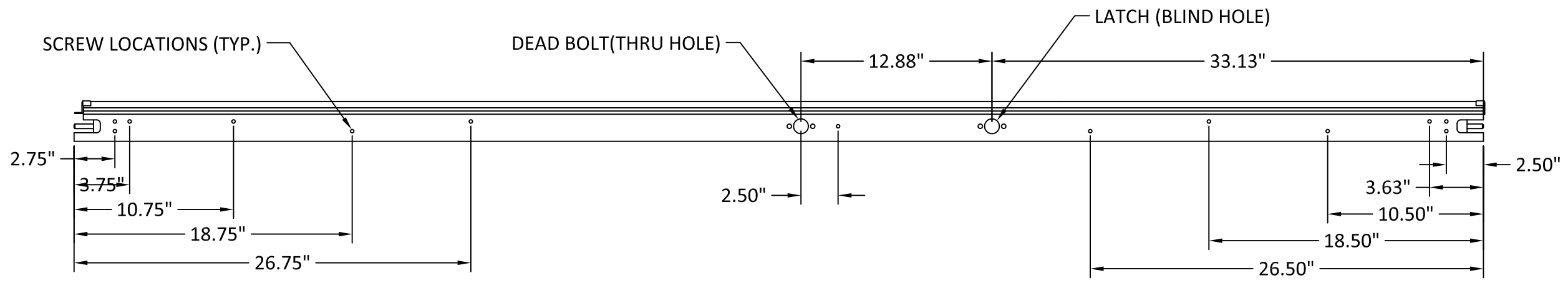
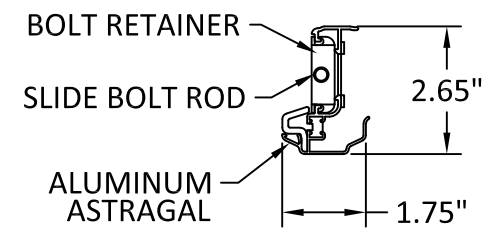
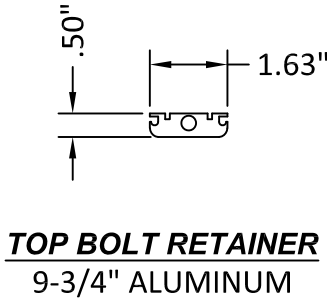
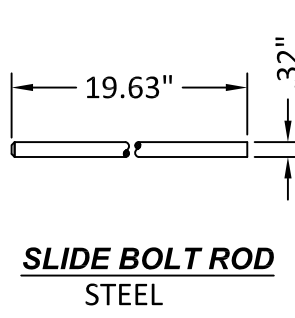
DWG. #: **TGI014**

SHEET: **26**
OF 28

s:\projects\trinity_glass_international\cc-23-1006 - fbc submittal - 2023 code change\dwgs\tgi014.dwg

10/18/2023 1:24 PM

s:\projects\trinity_glass_international\cc-23-1006 - fbc submittal - 2023 code change\dwg\tgi014.dwg



33615 1ST WAY S
FEDERAL WAY, WA 98003
PH: (253) 875-7300

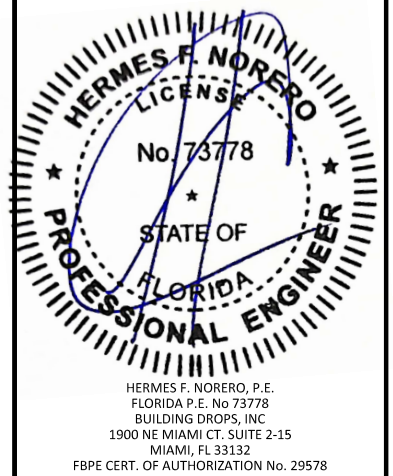
TITLE: 8'0" OPAQUE FIBERGLASS
DOOR - INSWING/OUTSWING
(HVHZ) (NON-IMPACT)

COMPONENTS

PREPARED BY:
BUILDING DROPS, INC.
1900 NE MIAMI CT. SUITE 2-15
MIAMI, FL 33132
PH: (954) 399-8478
FAX: (954) 744-4738
WEB: www.buildingdrops.com

REMARKS	BY	DATE
2023 FBC UPDATE	MS	10/11/23

THE INSTALLATION DETAILS DESCRIBED HEREIN ARE GENERIC AND MAY NOT REFLECT ACTUAL CONDITIONS FOR A SPECIFIC SITE. IF SITE CONDITIONS CAUSE INSTALLATION TO DEVIATE FROM THE REQUIREMENTS DETAILED HEREIN, A LICENSED ENGINEER OR ARCHITECT SHALL PREPARE SITE SPECIFIC DOCUMENTS FOR USE WITH THIS DOCUMENT.



FL #:	FL20867
DATE:	07.14.2016
DWG. BY:	LS
CHK. BY:	HFN
SCALE:	NTS
DWG. #:	TGI014
SHEET:	27

BILL OF MATERIAL		
ITEM #	DESCRIPTION	MATERIAL
A	1X BUCK SG>=0.55	WOOD
B	2X BUCK SG>=0.55	WOOD
C	1/4" MAX. SHIM SPACE	-
D	1/4" X 2-3/4" PFH DEWALT OR ITW CONCRETE SCREW	STEEL
E	#9 X 3/4" PFH WS	STEEL
F	#9 X 1" PFH WS	STEEL
G	#9 X 2-1/4" PFH WS	STEEL
H	#10 X 2-1/2" PFH WS	STEEL
I	#8 X 2" PFH WS	STEEL
J	#6 X 1-1/4" DRYWALL SCREW	STEEL
K	MASONRY - 3,000 PSI MIN. CONCRETE CONFORMING TO ACI 301 OR HOLLOW BLOCK CONFORMING TO ASTM C90	CONCRETE
L	1/4" X 3-3/4" PFH DEWALT OR ITW CONCRETE SCREW	STEEL
M	1/4" X 3-1/4" PFH DEWALT OR ITW CONCRETE SCREW	STEEL
N	3/16" X 3-1/4" PFH DEWALT OR ITW CONCRETE SCREW	STEEL
O	#8 X 2-1/2" PFH WS	STEEL
P	3/16" X 2-1/4" PFH DEWALT OR ITW CONCRETE SCREW	STEEL
Q	#8 X 1" PFH WS	STEEL
R	3/16" X 2-3/4" PFH DEWALT OR ITW CONCRETE SCREW	STEEL
S	#8 X 2 1/4" PFH WS	STEEL
1	JAMB (FINGER-JOINT PINE - SG>=0.42)	WOOD
1A	JAMB (FINGER-JOINT PINE - SG>=0.42)	WOOD
2	JAMB	PVC
2A	JAMB	PVC
3	JAMB	PVC
5	WEATHER STRIP QEBD650 Q-LON	-
6	3.98" X 4.0" HINGE MIN 0.098" MIN THICK	STEEL
7	STRIKE PLATE	STEEL
8	DEADBOLT PLATE	STEEL
9	SILLKEY	PC/ASA
10	OUTSWING SILL - ALUMINUM WITH PVC SUBSTRATE	ALUM./PVC
11	DOOR PANEL - SEE DOOR PANEL CONSTRUCTION DETAILS SHEET	-
12	SIDELITE PANEL - SEE SIDELITE PANEL CONSTRUCTION DETAILS SHEET	-
13	OUTSWING SIDELITE SPACER	PVC
14	STANDARD MULLION (FINGER JOINT PINE SG>=0.42)	WOOD
15	MULLION BASE KIT	PC/ASA
16	STANDARD MULLION	PVC
20	ALUMINUM ASTRAGAL BY ENDURA PRODUCTS	ALUMINUM
22	ASTRAGAL STRIKE @ HEAD	STEEL
23	ASTRAGAL STRIKE @ SILL	STEEL
24	INSWING SILL - ALUMINUM WITH PVC SUBSTRATE	ALUM./PVC
25	DOOR SWEEP	PVC
26	INSWING SIDELITE SPACER	PVC



33615 1ST WAY S
FEDERAL WAY, WA 98003
PH: (253) 875-7300

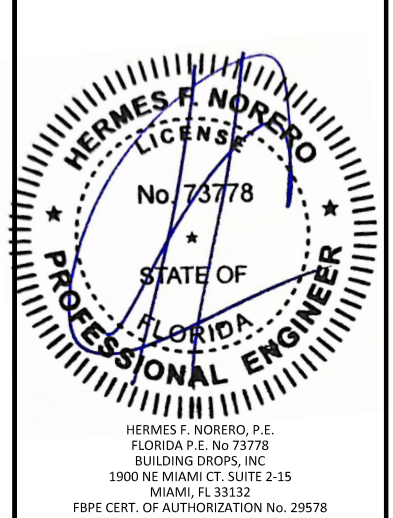
TITLE: 8'0" OPAQUE FIBERGLASS
DOOR - INSWING/OUTSWING
(HVHZ) (NON-IMPACT)

BILL OF MATERIALS

PREPARED BY: BUILDING DROPS, INC.
1900 NE MIAMI CT, SUITE 2-15
MIAMI, FL 33132
PH: (954) 399-8478
FAX: (954) 744-4738
WEB: www.buildingdrops.com

REMARKS	BY	DATE
2023 FBC UPDATE	MS	10/11/23

THE INSTALLATION DETAILS DESCRIBED HEREIN ARE GENERIC AND MAY NOT REFLECT ACTUAL CONDITIONS FOR A SPECIFIC SITE. IF SITE CONDITIONS CAUSE INSTALLATION TO DEVIATE FROM THE REQUIREMENTS DETAILED HEREIN, A LICENSED ENGINEER OR ARCHITECT SHALL PREPARE SITE SPECIFIC DOCUMENTS FOR USE WITH THIS DOCUMENT.



FL #: **FL20867**

DATE: **07.14.2016**

DWG. BY: **LS** CHK. BY: **HFN**

SCALE: **NTS**

DWG. #: **TGI014**

SHEET: **28**

OF 28