

10/18/2023 11:39 AM

s:\projects\trinity\_glass\_international\cc-23-1006 - fbc\_submittal - 2023\_code\_change\dwgs\tgi011.dwg

# Trinity Glass International

## 6'8" GLAZED FIBERGLASS DOOR - INSWING/OUTSWING (HVHZ) (NON-IMPACT)



33615 1ST WAY S  
FEDERAL WAY, WA 98003  
PH: (253) 875-7300

**INSTALLATION NOTES:**

- ONE (1) INSTALLATION ANCHOR IS REQUIRED AT EACH ANCHOR LOCATION SHOWN.
- THE NUMBER OF INSTALLATION ANCHORS DEPICTED IS THE MINIMUM NUMBER OF ANCHORS TO BE USED FOR PRODUCT INSTALLATION OF THE MAXIMUM SIZE LISTED.
- INSTALL INDIVIDUAL INSTALLATION ANCHORS WITHIN A TOLERANCE OF ±1/2 INCH (I.E., WITHOUT CONSIDERATION OF TOLERANCES). TOLERANCES ARE NOT CUMULATIVE FROM ONE INSTALLATION ANCHOR TO THE NEXT.
- SHIM AS REQUIRED AT EACH INSTALLATION ANCHOR WITH LOAD BEARING SHIM(S). MAXIMUM ALLOWABLE SHIM STACK TO BE 1/4 INCH. SHIM WHERE SPACE OF 1/16 INCH OR GREATER OCCURS. SHIM(S) SHALL BE CONSTRUCTED OF HIGH DENSITY PLASTIC OR BETTER.
- THROUGH FRAME: FOR INSTALLATION INTO 2X WOOD FRAMING USE MINIMUM #10 WOOD SCREWS OF SUFFICIENT LENGTH TO ACHIEVE 1 1/2" MINIMUM EMBEDMENT INTO WOOD SUBSTRATE. MINIMUM EDGE DISTANCE OF 3/4" SHALL BE MAINTAINED.
- THROUGH FRAME: FOR INSTALLATION INTO CONCRETE/MASONRY, USE 1/4" ITW TAPCONS OR 1/4" DEWALT ULTRACON+ OR 3/16" ITW TAPCONS OF SUFFICIENT LENGTH TO ACHIEVE 1 1/4" MINIMUM EMBEDMENT INTO CONCRETE/MASONRY.
- MINIMUM EMBEDMENT AND EDGE DISTANCE EXCLUDE WALL FINISHES, INCLUDING BUT NOT LIMITED TO STUCCO, FOAM, BRICK VENEER, AND SIDING.
- INSTALLATION ANCHORS AND ASSOCIATED HARDWARE MUST BE MADE OF CORROSION RESISTANT MATERIAL OR HAVE A CORROSION RESISTANT COATING.
- FOR HOLLOW BLOCK AND GROUT FILLED BLOCK, DO NOT INSTALL INSTALLATION ANCHORS INTO MORTAR JOINTS. EDGE DISTANCE IS MEASURED FROM FREE EDGE OF BLOCK OR EDGE OF MORTAR JOINT INTO FACE SHELL OF BLOCK.
- INSTALLATION ANCHORS SHALL BE INSTALLED IN ACCORDANCE WITH ANCHOR MANUFACTURER'S INSTALLATION INSTRUCTIONS, AND ANCHORS SHALL NOT BE USED IN SUBSTRATES WITH STRENGTHS LESS THAN THE MINIMUM STRENGTH SPECIFIED BY THE ANCHOR MANUFACTURER.
- INSTALLATION ANCHOR CAPACITIES FOR PRODUCTS HEREIN ARE BASED ON SUBSTRATE MATERIALS WITH THE FOLLOWING PROPERTIES:
  - WOOD - MINIMUM SPECIFIC GRAVITY OF 0.55.
  - CONCRETE - MINIMUM 3000 PSI COMPRESSIVE STRENGTH
  - HOLLOW/GROUT FILLED CMU - STRENGTH CONFORMANCE TO ASTM C90, MIN. F'm = 2000 PSI.

**GENERAL NOTES:**

- THE PRODUCT SHOWN HEREIN IS DESIGNED AND MANUFACTURED TO COMPLY WITH THE CURRENT FLORIDA BUILDING CODE (FBC), INCLUDING HVHZ AND HAS BEEN EVALUATED ACCORDING TO THE FOLLOWING:
  - TAS 202-94
  - ASTM E283-19
  - ASTM E330-14
  - ASTM E331-00(16)
  - AAMA 1304-02
- ADEQUACY OF THE EXISTING STRUCTURAL CONCRETE/MASONRY AND 2X FRAMING AS A MAIN WIND FORCE RESISTING SYSTEM CAPABLE OF WITHSTANDING AND TRANSFERRING APPLIED PRODUCT LOADS TO THE FOUNDATION IS THE RESPONSIBILITY OF THE ENGINEER OR ARCHITECT OF RECORD FOR THE PROJECT OF INSTALLATION.
- 1X AND 2X BUCKS (WHEN USED) SHALL BE DESIGNED AND ANCHORED TO PROPERLY TRANSFER ALL LOADS TO THE STRUCTURE. BUCK DESIGN AND INSTALLATION IS THE RESPONSIBILITY OF THE ENGINEER OR ARCHITECT OF RECORD FOR THE PROJECT OF INSTALLATION.
- THE INSTALLATION DETAILS DESCRIBED HEREIN ARE GENERIC AND MAY NOT REFLECT ACTUAL CONDITIONS FOR A SPECIFIC SITE. IF SITE CONDITIONS CAUSE INSTALLATION TO DEVIATE FROM THE REQUIREMENTS DETAILED HEREIN, A LICENSED ENGINEER OR ARCHITECT SHALL PREPARE SITE SPECIFIC DOCUMENTS FOR USE WITH THIS DOCUMENT IN NON-HVHZ AREAS.
- APPROVED IMPACT PROTECTIVE SYSTEM **IS REQUIRED** FOR THIS PRODUCT.
- FRAME & MULLION MATERIAL: PVC OR WOOD
- CLADDING MATERIAL: FIBERGLASS

TABLE OF CONTENTS	
SHEET #	DESCRIPTION
1	GENERAL & INSTALLATION NOTES
2	TYPICAL ELEVATIONS, DESIGN PRESSURES
3	TYPICAL ELEVATIONS, DESIGN PRESSURES
4	TYPICAL ELEVATIONS, DESIGN PRESSURES
5	TYPICAL ELEVATIONS, DESIGN PRESSURES
6	DOOR PANEL CONSTRUCTION DETAILS
7	DOOR PANEL CONSTRUCTION DETAILS
8	DOOR PANEL CONSTRUCTION DETAILS
9	SIDELITE PANEL CONSTRUCTION DETAILS
10	SIDELITE PANEL CONSTRUCTION DETAILS
11	SIDELITE PANEL CONSTRUCTION DETAILS
12	HORIZONTAL CROSS SECTIONS
13	HORIZONTAL CROSS SECTIONS
14	HORIZONTAL CROSS SECTIONS
15	VERTICAL CROSS SECTIONS
16	VERTICAL CROSS SECTIONS
17	VERTICAL & HORIZONTAL CROSS SECTIONS
18	HORIZONTAL CROSS SECTIONS
19	BUCK & FRAME ANCHORING
20	BUCK ANCHORING
21	FRAME ANCHORING
22	FRAME ANCHORING
23	FRAME ANCHORING
24	FRAME ANCHORING
25	BUCK ANCHORING
26	FRAME ANCHORING
27	BUCK ANCHORING
28	FRAME ANCHORING
29	COMPONENTS
30	COMPONENTS
31	COMPONENTS
32	BILL OF MATERIALS

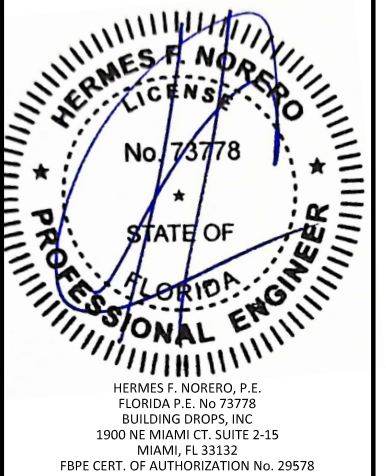
TITLE: 6'8" GLAZED FIBERGLASS DOOR - INSWING/OUTSWING (HVHZ) (NON-IMPACT)

GENERAL & INSTALLATION NOTES

PREPARED BY: BUILDING DROPS, INC.  
1900 NE MIAMI CT. SUITE 2-15  
MIAMI, FL 33132  
PH: (954) 309-8478  
FAX: (954) 744-4738  
WEB: www.buildingdrops.com

REMARKS	BY	DATE
2023 FBC UPDATE	MS	10/11/23

THE INSTALLATION DETAILS DESCRIBED HEREIN ARE GENERIC AND MAY NOT REFLECT ACTUAL CONDITIONS FOR A SPECIFIC SITE. IF SITE CONDITIONS CAUSE INSTALLATION TO DEVIATE FROM THE REQUIREMENTS DETAILED HEREIN, A LICENSED ENGINEER OR ARCHITECT SHALL PREPARE SITE SPECIFIC DOCUMENTS FOR USE WITH THIS DOCUMENT.



HERMES F. NORERO, P.E.  
FLORIDA P.E. No. 73778  
BUILDING DROPS, INC.  
1900 NE MIAMI CT. SUITE 2-15  
MIAMI, FL 33132  
FBPE CERT. OF AUTHORIZATION No. 29578

FL #: **FL20867**

DATE: **07.14.2016**

DWG. BY: <b>LS</b>	CHK. BY: <b>HFN</b>
--------------------	---------------------


SCALE: **NTS**

DWG. #: **TGI011**

SHEET: **1**

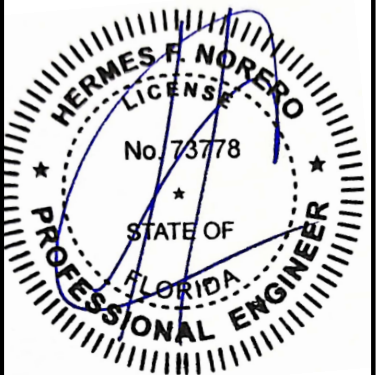
OF 32

TITLE: 6'8" GLAZED FIBERGLASS  
 DOOR - INSWING/OUTSWING  
 (HVHZ) (NON-IMPACT)  
 TYPICAL ELEVATION AND  
 DESIGN PRESSURE

PREPARED BY:  
  
**BUILDING DROPS, INC.**  
 1900 NE MIAMI CT. SUITE 2-15  
 MIAMI, FL 33132  
 PH: (954) 399-8478  
 FAX: (954) 744-4738  
 WEB: www.buildingdrops.com

REMARKS	BY	DATE
2023 FBC UPDATE	MS	10/11/23

THE INSTALLATION DETAILS DESCRIBED HEREIN ARE GENERIC AND MAY NOT REFLECT ACTUAL CONDITIONS FOR A SPECIFIC SITE. IF SITE CONDITIONS CAUSE INSTALLATION TO DEVIATE FROM THE REQUIREMENTS DETAILED HEREIN, A LICENSED ENGINEER OR ARCHITECT SHALL PREPARE SITE SPECIFIC DOCUMENTS FOR USE WITH THIS DOCUMENT.



HERMES F. NORERO, P.E.  
 FLORIDA P.E. No. 73778  
 BUILDING DROPS, INC.  
 1900 NE MIAMI CT. SUITE 2-15  
 MIAMI, FL 33132  
 FBPE CERT. OF AUTHORIZATION No. 29578

FL #: **FL20867**

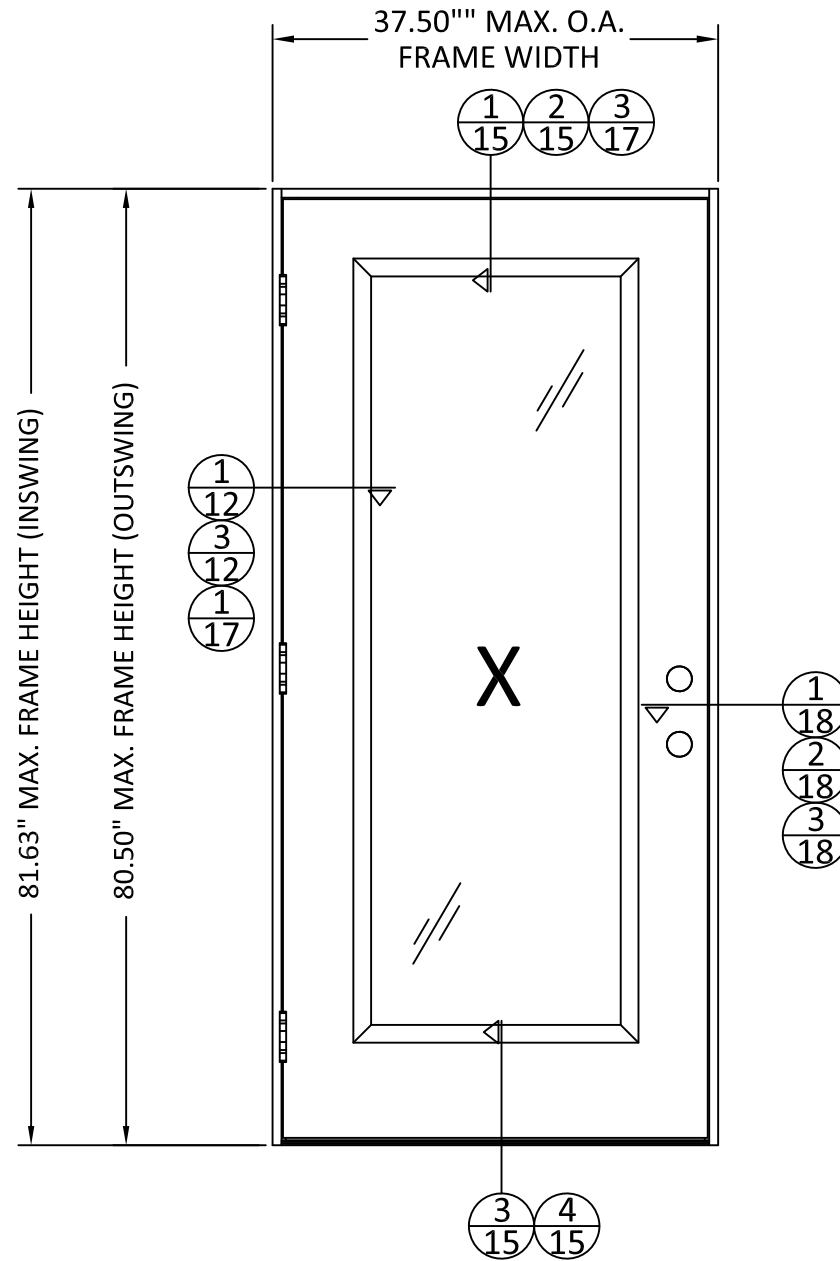
DATE: **07.14.2016**

DWG. BY: **LS**      CHK. BY: **HFN**

SCALE: **NTS**

DWG. #: **TGI011**

SHEET: **2**



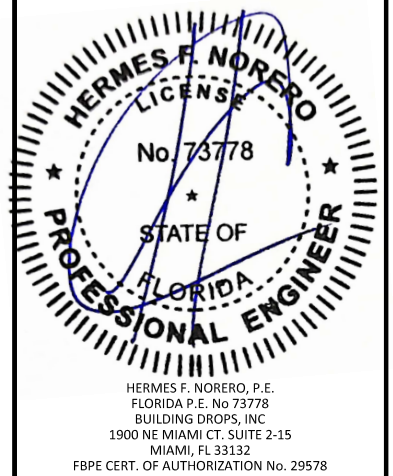
MAX. FRAME DIMENSION	JAMB TYPE	DESIGN PRESSURE (PSF) LIP LITE		DESIGN PRESSURE (PSF) FLUSHGLAZED/MAHOGANY	
		POSITIVE	NEGATIVE	POSITIVE	NEGATIVE
37.50" X 81.63"	WOOD	+47.0	-47.0	+70.0	-70.0
	PVC	+47.0	-47.0	+60.0	-60.0

TITLE: 6'8" GLAZED FIBERGLASS  
DOOR - INSWING/OUTSWING  
(HVHZ) (NON-IMPACT)  
TYPICAL ELEVATION AND  
DESIGN PRESSURE

PREPARED BY:  
**BD**  
BUILDING DROPS  
BUILDING DROPS, INC.  
1900 NE MIAMI CT. SUITE 2-15  
MIAMI, FL 33132  
PH: (954) 399-8478  
FAX: (954) 744-4738  
WEB: www.buildingdrops.com

REMARKS	BY	DATE
2023 FBC UPDATE	MS	10/11/23

THE INSTALLATION DETAILS DESCRIBED HEREIN ARE GENERIC AND MAY NOT REFLECT ACTUAL CONDITIONS FOR A SPECIFIC SITE. IF SITE CONDITIONS CAUSE INSTALLATION TO DEVIATE FROM THE REQUIREMENTS DETAILED HEREIN, A LICENSED ENGINEER OR ARCHITECT SHALL PREPARE SITE SPECIFIC DOCUMENTS FOR USE WITH THIS DOCUMENT.



HERMES F. NORERO, P.E.  
FLORIDA P.E. No. 73778  
BUILDING DROPS, INC.  
1900 NE MIAMI CT. SUITE 2-15  
MIAMI, FL 33132  
FBPE CERT. OF AUTHORIZATION No. 29578

FL #: **FL20867**

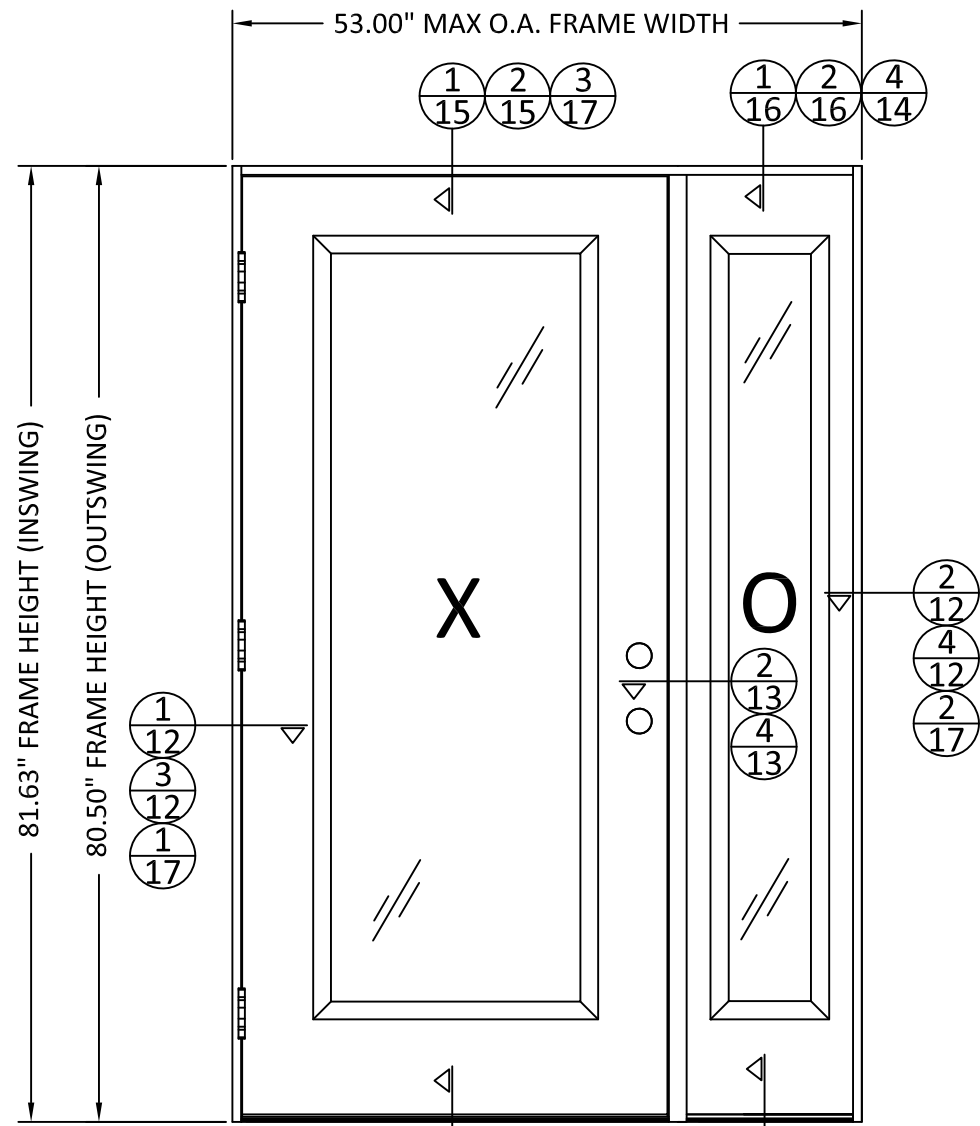
DATE: **07.14.2016**

DWG. BY: **LS**      CHK. BY: **HFN**

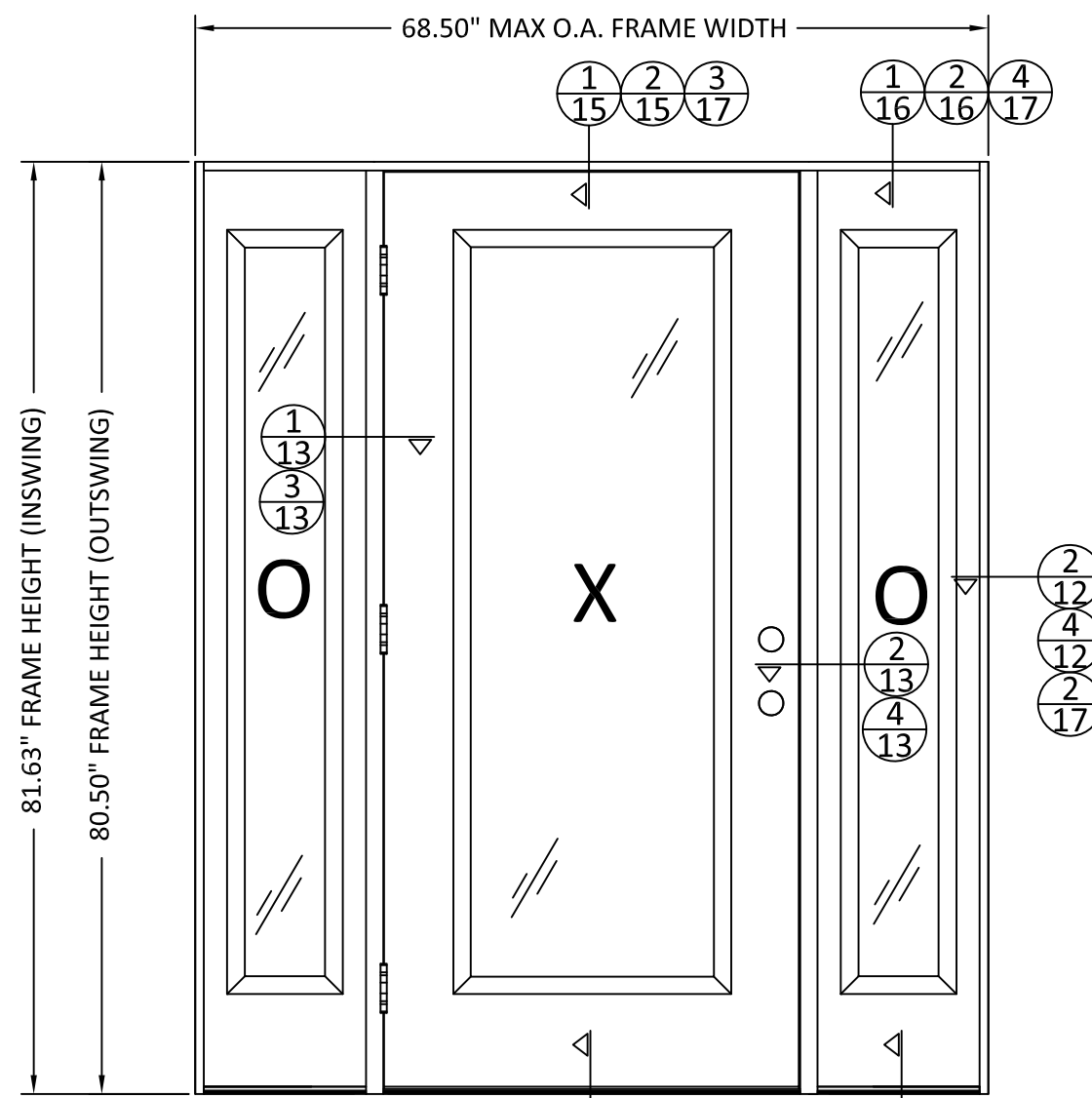
SCALE: **NTS**

DWG. #: **TGI011**

SHEET: **3**



**CONTINUOUS HEADER AND SILL**

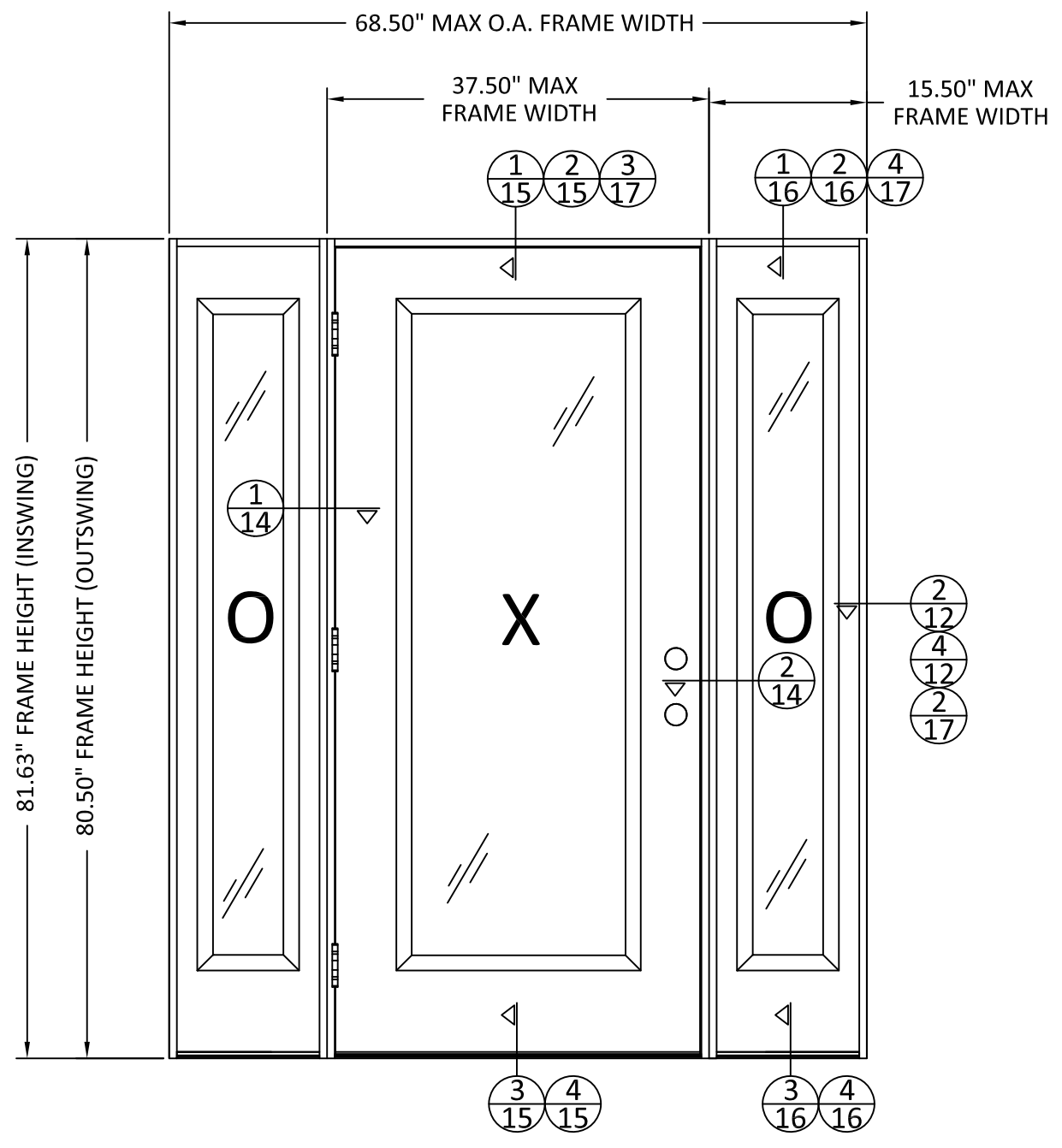
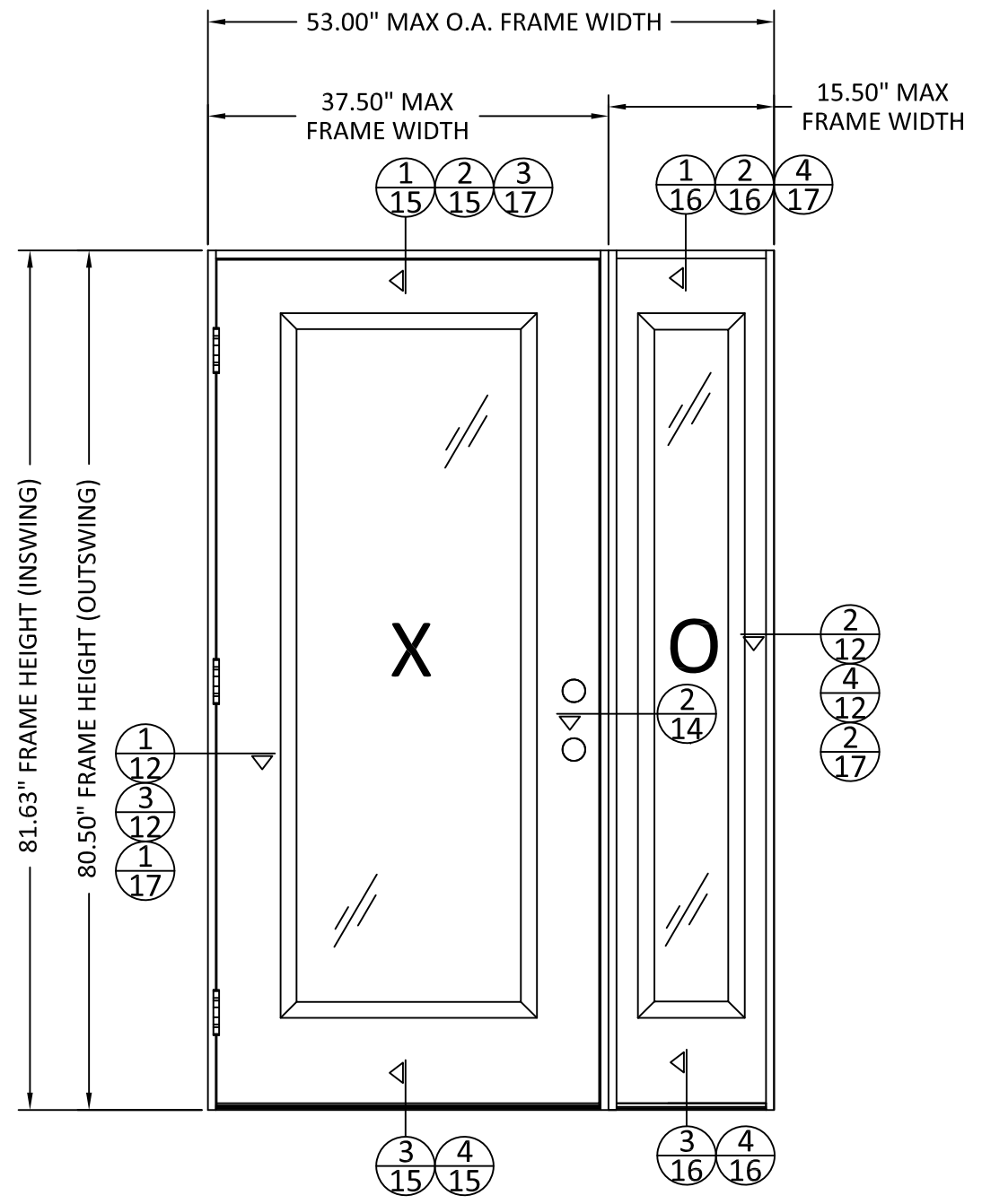


**CONTINUOUS HEADER AND SILL**

CONFIGURATION	MAX. FRAME DIMENSION	JAMB & MULLION TYPE	DESIGN PRESSURE (PSF) LIPL ITE		DESIGN PRESSURE (PSF) FLUSHGLAZED/MAHOGANY	
			POSITIVE	NEGATIVE	POSITIVE	NEGATIVE
OX/XO	53.00" X 81.63"	WOOD	+47.0	-47.0	+60.0	-60.0
		PVC	+47.0	-47.0	+55.0	-55.0
OXO	68.50" X 81.63"	WOOD	+47.0	-47.0	+60.0	-60.0
		PVC	+47.0	-47.0	+55.0	-55.0

10/18/2023 11:39 AM

s:\projects\trinity\_glass\_international\cc-23-1006 - fbc submittal - 2023 code change\dwg\tgi011.dwg



CONFIGURATION	MAX. FRAME DIMENSION	JAMB & MULLION TYPE	DESIGN PRESSURE (PSF) LIPL ITE		DESIGN PRESSURE (PSF) FLUSHGLAZED/MAHOGANY	
			POSITIVE	NEGATIVE	POSITIVE	NEGATIVE
OX/XO	53.00" X 81.63"	WOOD	+47.0	-47.0	+55.0	-55.0
		PVC	+47.0	-47.0	+55.0	-55.0
OXO	68.50" X 81.63"	WOOD	+47.0	-47.0	+55.0	-55.0
		PVC	+47.0	-47.0	+55.0	-55.0



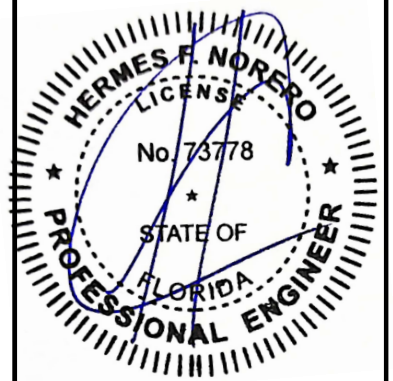
33615 1ST WAY S  
FEDERAL WAY, WA 98003  
PH: (253) 875-7300

TITLE: 6'8" GLAZED FIBERGLASS  
DOOR - INSWING/OUTSWING  
(HVHZ) (NON-IMPACT)  
TYPICAL ELEVATION AND  
DESIGN PRESSURE

PREPARED BY:  
**BUILDING DROPS, INC.**  
1900 NE MIAMI CT. SUITE 2-15  
MIAMI, FL 33132  
PH: (954) 399-8478  
FAX: (954) 744-4738  
WEB: www.buildingdrops.com

REMARKS	BY	DATE
2023 FBC UPDATE	MS	10/11/23

THE INSTALLATION DETAILS DESCRIBED HEREIN ARE GENERIC AND MAY NOT REFLECT ACTUAL CONDITIONS FOR A SPECIFIC SITE. IF SITE CONDITIONS CAUSE INSTALLATION TO DEVIATE FROM THE REQUIREMENTS DETAILED HEREIN, A LICENSED ENGINEER OR ARCHITECT SHALL PREPARE SITE SPECIFIC DOCUMENTS FOR USE WITH THIS DOCUMENT.



HERMES F. NORERO, P.E.  
FLORIDA P.E. No. 73778  
BUILDING DROPS, INC.  
1900 NE MIAMI CT. SUITE 2-15  
MIAMI, FL 33132  
FBPE CERT. OF AUTHORIZATION No. 29578

FL #: **FL20867**

DATE: **07.14.2016**

DWG. BY: **LS**      CHK. BY: **HFN**

SCALE: **NTS**

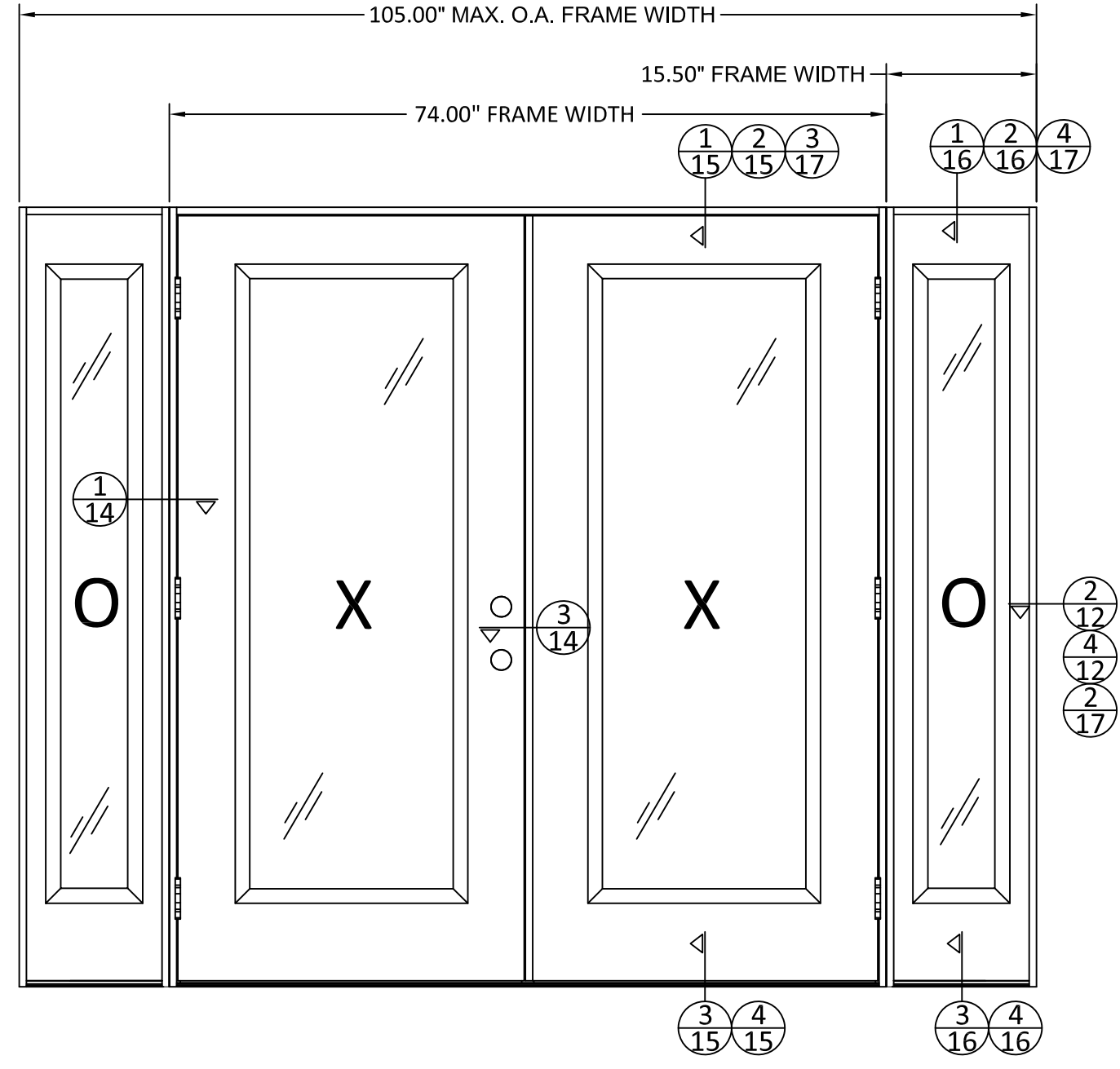
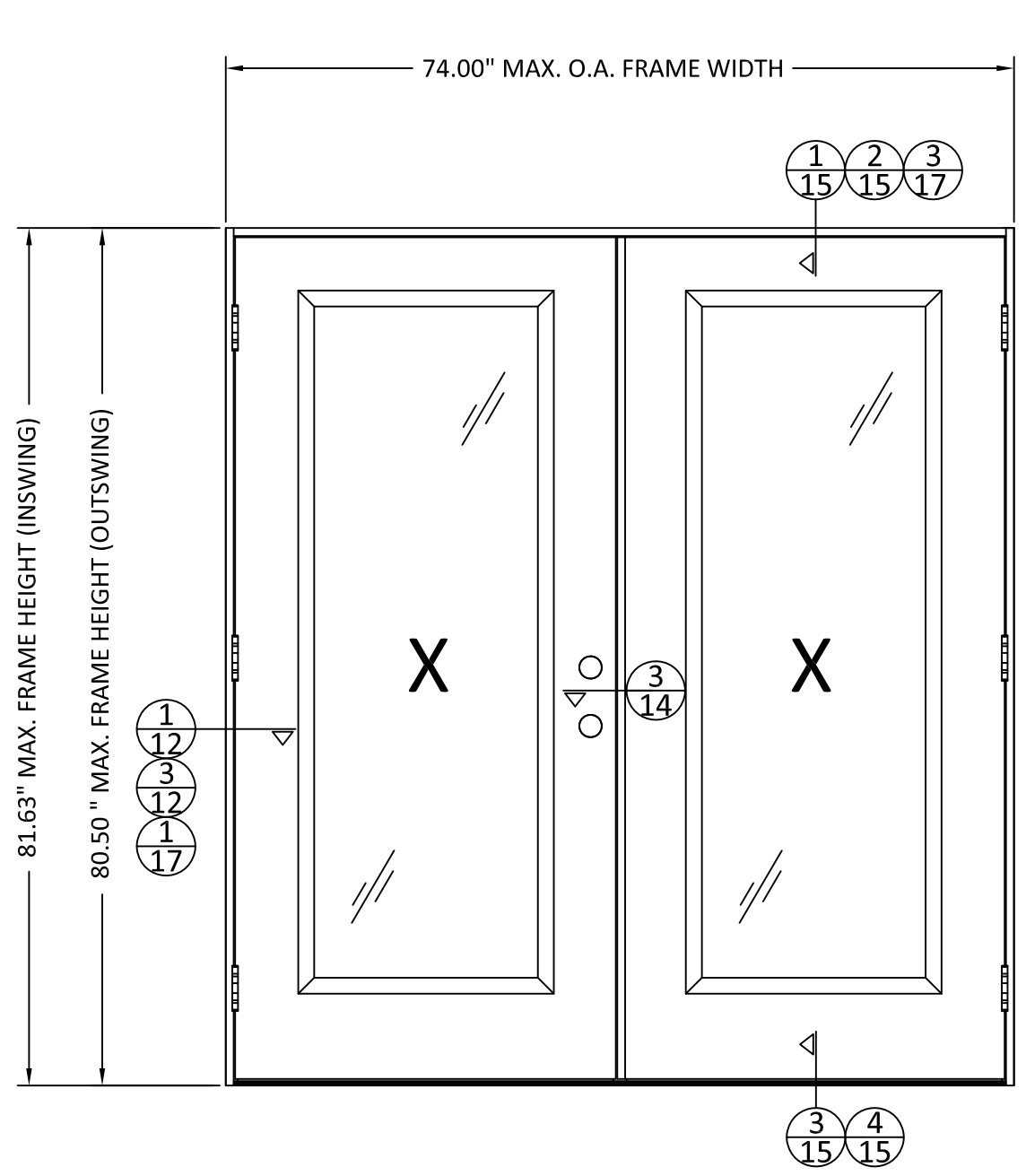
DWG. #: **TGI011**

SHEET: **4**  
OF 32

10/18/2023 11:39 AM



33615 1ST WAY S  
FEDERAL WAY, WA 98003  
PH: (253) 875-7300



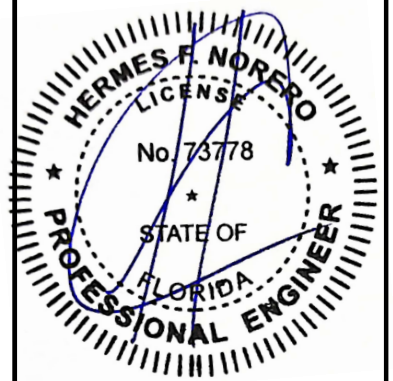
CONFIGURATION	MAX. FRAME DIMENSION	DESIGN PRESSURE (PSF) ALUMINUM ASTRAGAL		DESIGN PRESSURE (PSF) PVC ASTRAGAL	
		POSITIVE	NEGATIVE	POSITIVE	NEGATIVE
XX	74.00" X 81.63"	+55.0	-55.0	+47.0	-47.0
OXXO	105.00" X 81.63"	+55.0	-55.0	+47.0	-47.0

TITLE: 6'8" GLAZED FIBERGLASS DOOR - INSWING/OUTSWING (HVHZ) (NON-IMPACT) TYPICAL ELEVATION AND DESIGN PRESSURE

PREPARED BY: BUILDING DROPS, INC.  
1900 NE MIAMI CT. SUITE 2-15  
MIAMI, FL 33132  
PH: (954) 309-8478  
FAX: (954) 744-4738  
WEB: www.buildingdrops.com

REMARKS	BY	DATE
2023 FBC UPDATE	MS	10/11/23

THE INSTALLATION DETAILS DESCRIBED HEREIN ARE GENERIC AND MAY NOT REFLECT ACTUAL CONDITIONS FOR A SPECIFIC SITE. IF SITE CONDITIONS CAUSE INSTALLATION TO DEVIATE FROM THE REQUIREMENTS DETAILED HEREIN, A LICENSED ENGINEER OR ARCHITECT SHALL PREPARE SITE SPECIFIC DOCUMENTS FOR USE WITH THIS DOCUMENT.



HERMES F. NORERO, P.E.  
FLORIDA P.E. No. 73778  
BUILDING DROPS, INC.  
1900 NE MIAMI CT. SUITE 2-15  
MIAMI, FL 33132  
FBPE CERT. OF AUTHORIZATION No. 29578

FL #: **FL20867**

DATE: **07.14.2016**

DWG. BY: **LS**      CHK. BY: **HFN**

SCALE: **NTS**

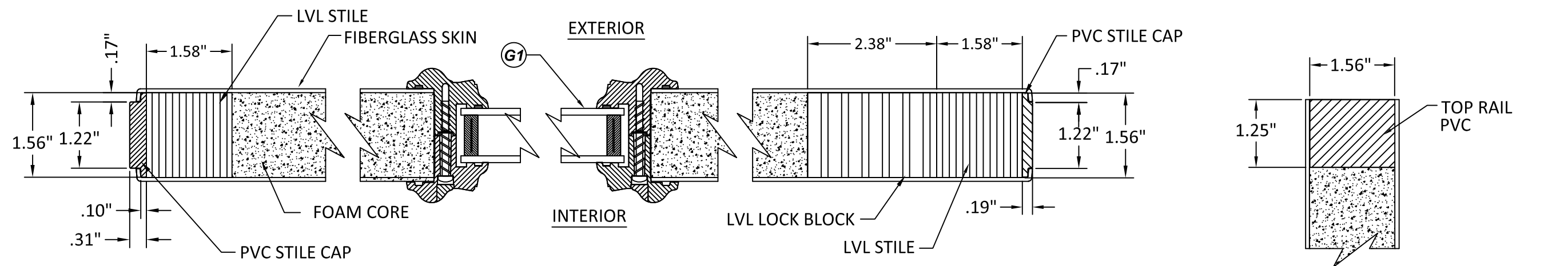
DWG. #: **TGI011**

SHEET: **5**

s:\projects\trinity\_glass\_international\cc-23-1006 - fbc submittal - 2023 code change\dwgs\tgi011.dwg

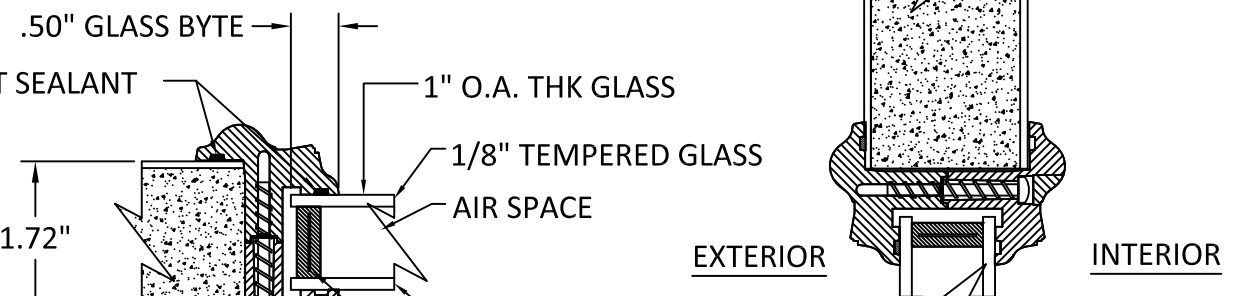
10/18/2023 11:39 AM

s:\projects\trinity\_glass\_international\cc-23-1006 - fbc submittal - 2023 code change\dwg\tgi011.dwg

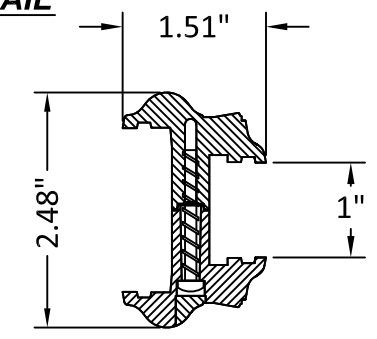


**1/6 HORIZONTAL CROSS SECTION**

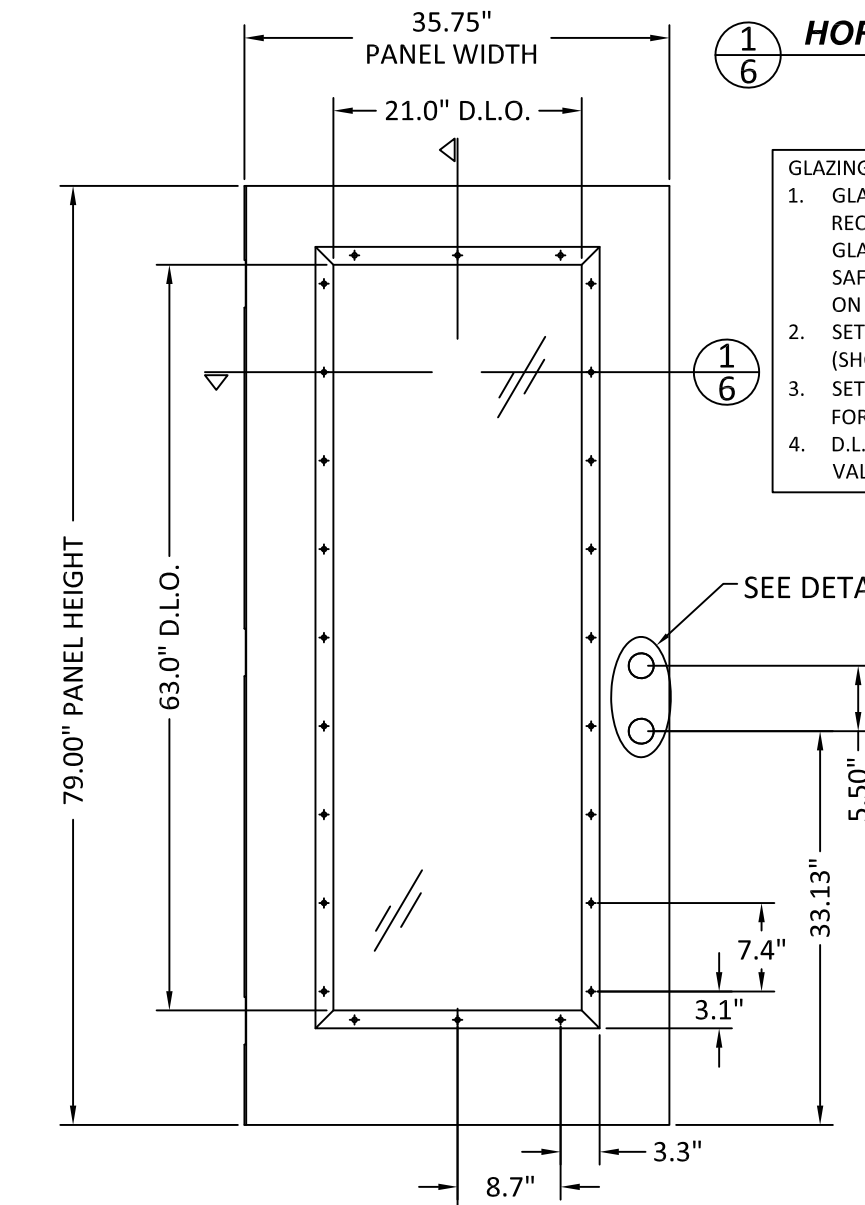
- GLAZING NOTES:**
- GLASS TYPE & THICKNESS COMPLIES WITH ASTM E1300 REQUIREMENTS AS WELL AS APPLICABLE SAFETY GLAZING REQUIREMENTS PER THE FBC. TEMPER AND SAFETY GLAZING REQUIREMENTS SHALL BE REVIEWED ON A SITE SPECIFIC BASIS.
  - SETTING BLOCK DUROMETER HARDNESS OF 70-90 (SHORE A) AS REFERENCED IN FBC CHAPTER 24.
  - SETTING BLOCKS TO BE LOCATED AT 1/4 SPAN LENGTH FOR GLASS WIDER THAN 36" AS PER FBC CHAPTER 24.
  - D.L.O. AND DESIGN PRESSURES MAY NOT EXCEED MAX VALUES IN SHEETS 2 - 11.



**G1 GLAZING DETAIL LIPLITE FRAME**

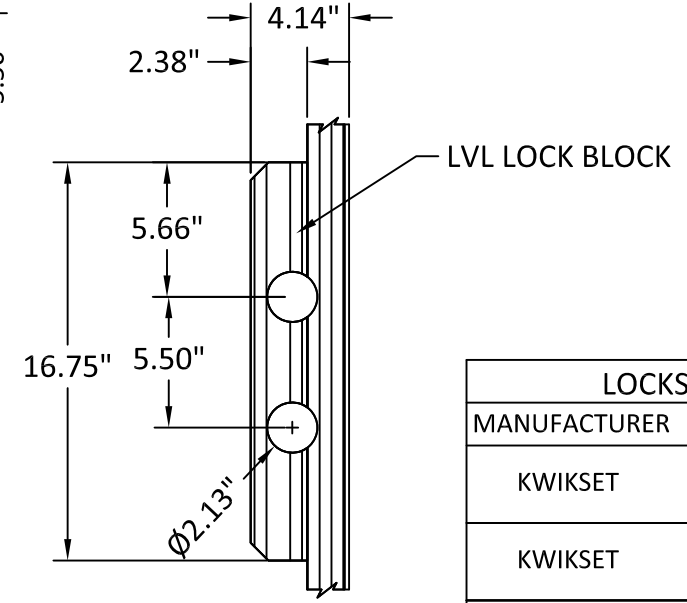


**A6 LIPLITE FRAME ABS or PC/ASA**



**11 GLAZED DOOR LIPLITE**

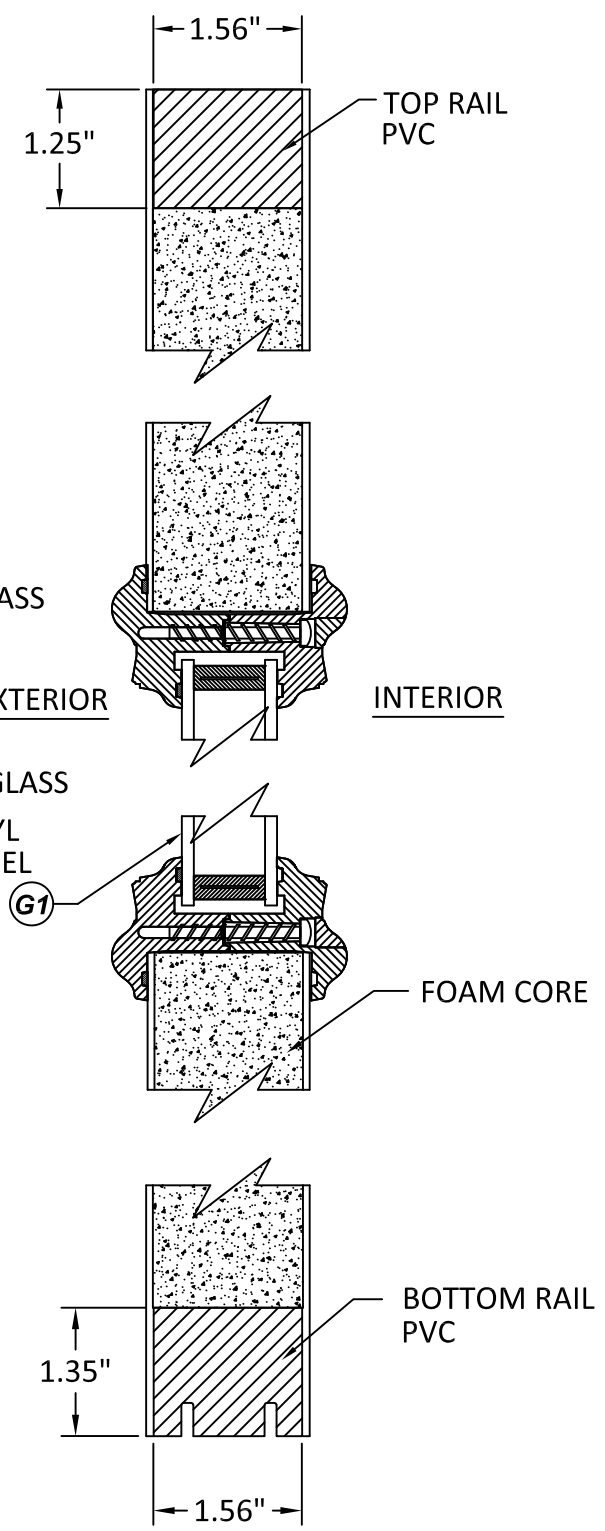
FIBERGLASS SKIN: 0.079" THICK MIN.  
FOAM CORE: POLYURETHANE



**DETAIL 1**

LOCKSET HARDWARE	
MANUFACTURER	MODEL
KWIKSET	LOCK & DEADBOLT COMBO SIGNATURE SERIES 991
KWIKSET	LOCK & DEADBOLT COMBO SIGNATURE SERIES 980
SCHLAGE	LOCK: F-SERIES DEADBOLT: B60 SERIES

**2/6 VERTICAL CROSS SECTION**

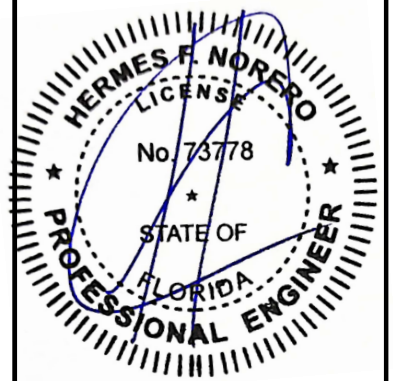


33615 1ST WAY S  
FEDERAL WAY, WA 98003  
PH: (253) 875-7300

TITLE: 6'8" GLAZED FIBERGLASS DOOR - INSWING/OUTSWING (HVHZ) (NON-IMPACT) DOOR PANEL CONSTRUCTION DETAILS  
PREPARED BY: BUILDING DROPS, INC.  
1900 NE MIAMI CT. SUITE 2-15 MIAMI, FL 33132  
PH: (954) 399-8478  
FAX: (954) 744-4738  
WEB: www.buildingdrops.com

REMARKS	BY	DATE
2023 FBC UPDATE	MS	10/11/23

THE INSTALLATION DETAILS DESCRIBED HEREIN ARE GENERIC AND MAY NOT REFLECT ACTUAL CONDITIONS FOR A SPECIFIC SITE. IF SITE CONDITIONS CAUSE INSTALLATION TO DEVIATE FROM THE REQUIREMENTS DETAILED HEREIN, A LICENSED ENGINEER OR ARCHITECT SHALL PREPARE SITE SPECIFIC DOCUMENTS FOR USE WITH THIS DOCUMENT.

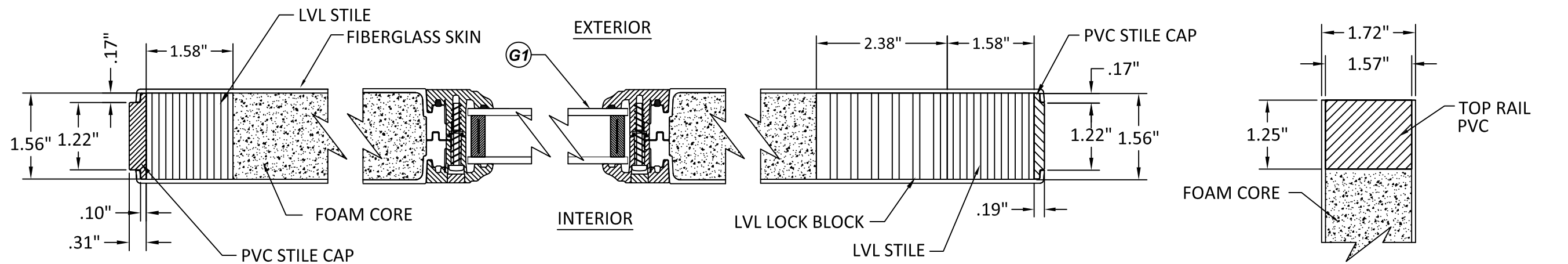


HERMES F. NORERO, P.E.  
FLORIDA P.E. No. 73778  
BUILDING DROPS, INC.  
1900 NE MIAMI CT. SUITE 2-15  
MIAMI, FL 33132  
FBPE CERT. OF AUTHORIZATION No. 29578

FL #: **FL20867**  
DATE: **07.14.2016**  
DWG. BY: **LS** CHK. BY: **HFN**  
SCALE: **NTS**  
DWG. #: **TGI011**  
SHEET:

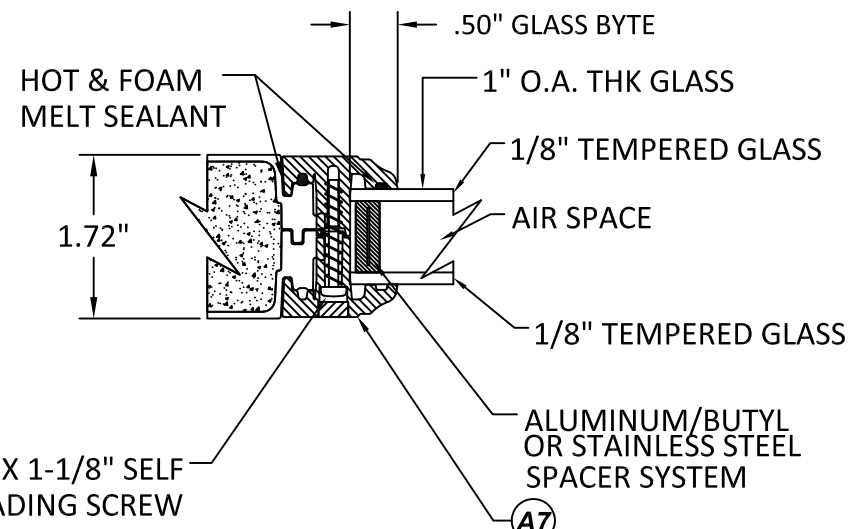
10/18/2023 11:39 AM

s:\projects\trinity\_glass\_international\cc-23-1006 - fbc submittal - 2023 code change\dwg\tgi011.dwg

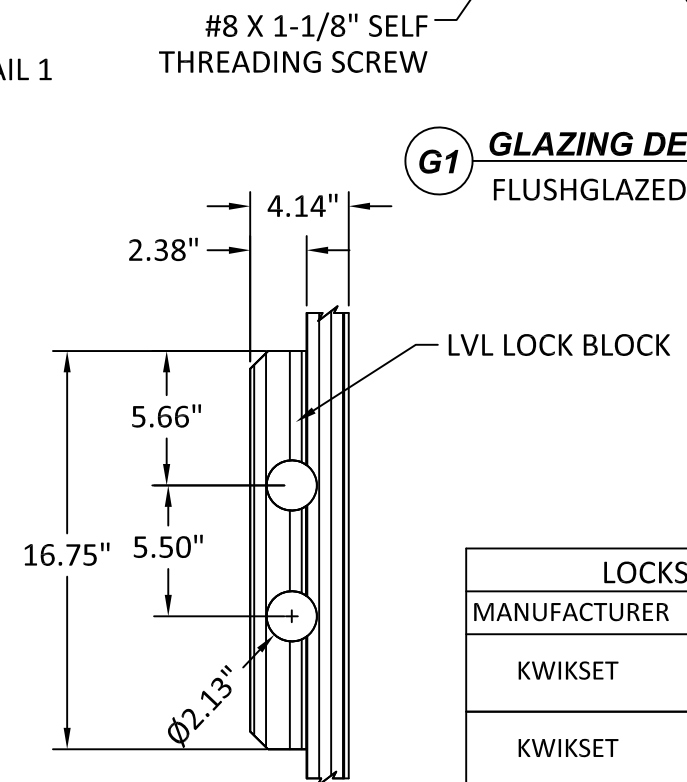


**1** HORIZONTAL CROSS SECTION

GLAZING NOTES  
SEE SHEET 6.

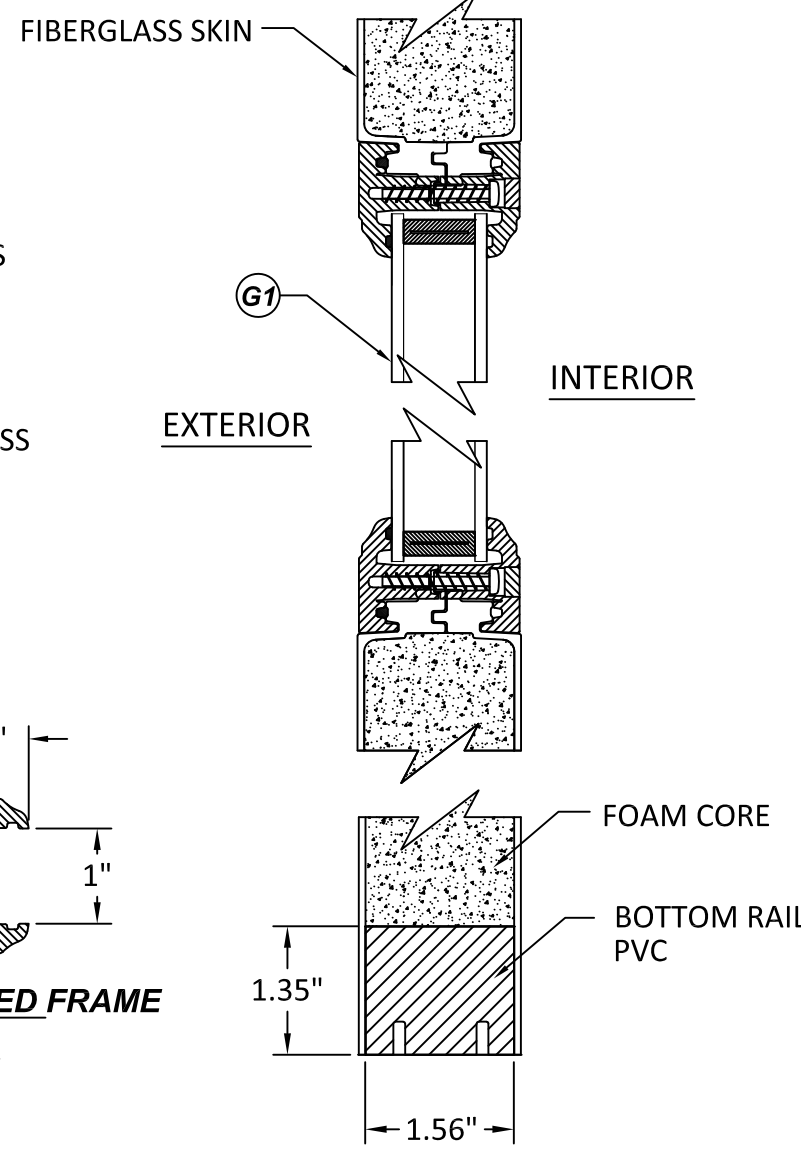


**G1** GLAZING DETAIL  
FLUSHGLAZED FRAME

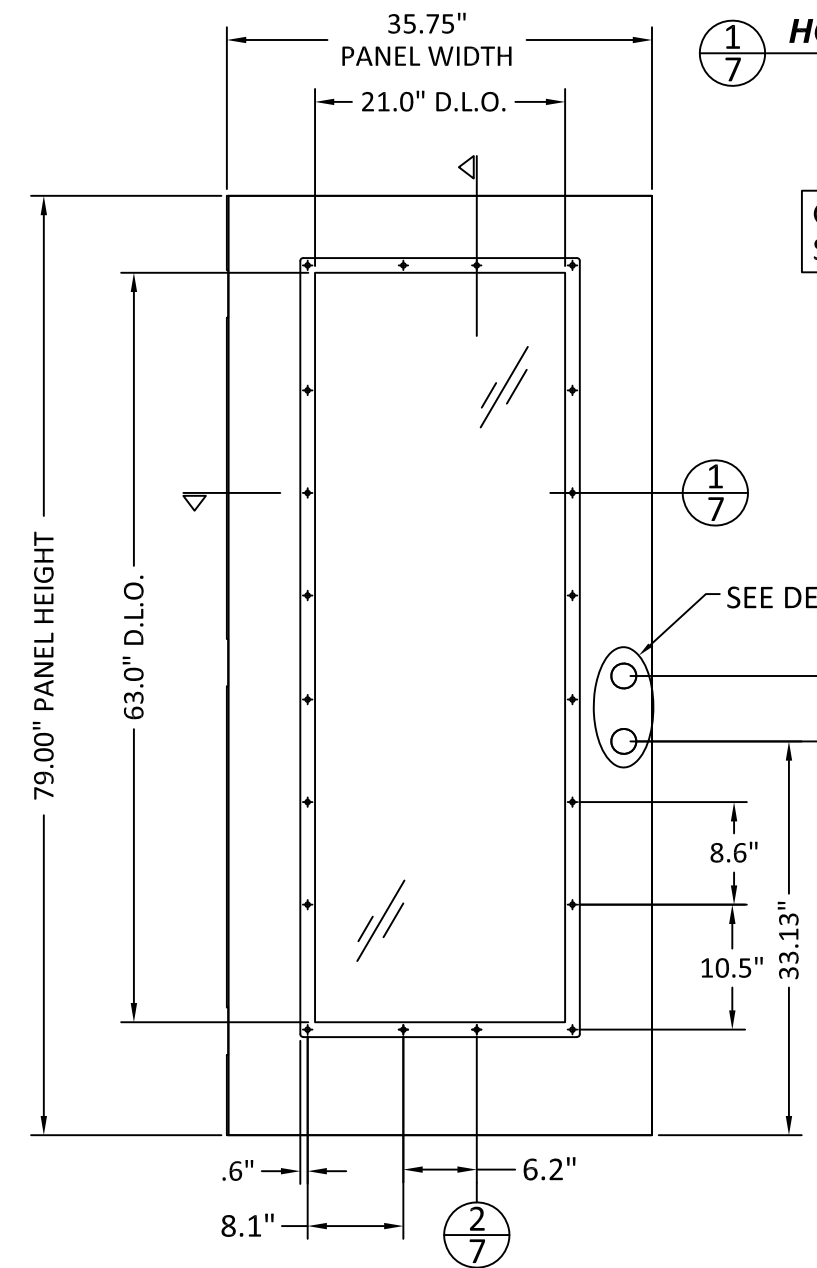


**DETAIL 1**

LOCKSET HARDWARE	
MANUFACTURER	MODEL
KWIKSET	LOCK & DEADBOLT COMBO SIGNATURE SERIES 991
KWIKSET	LOCK & DEADBOLT COMBO SIGNATURE SERIES 980
SCHLAGE	LOCK: F-SERIES DEADBOLT: B60 SERIES



**2** VERTICAL CROSS SECTION



**11** GLAZED DOOR  
FLUSHGLAZED

FIBERGLASS SKIN: 0.079\"/>

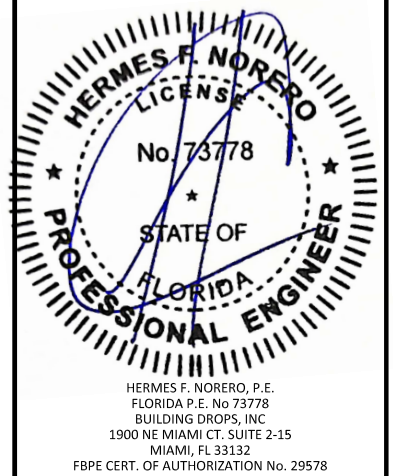


33615 1ST WAY S  
FEDERAL WAY, WA 98003  
PH: (253) 875-7300

TITLE: 6\"/>

REMARKS	BY	DATE
2023 FBC UPDATE	MS	10/11/23

THE INSTALLATION DETAILS DESCRIBED HEREIN ARE GENERIC AND MAY NOT REFLECT ACTUAL CONDITIONS FOR A SPECIFIC SITE. IF SITE CONDITIONS CAUSE INSTALLATION TO DEVIATE FROM THE REQUIREMENTS DETAILED HEREIN, A LICENSED ENGINEER OR ARCHITECT SHALL PREPARE SITE SPECIFIC DOCUMENTS FOR USE WITH THIS DOCUMENT.



FL #: **FL20867**

DATE: **07.14.2016**

DWG. BY: **LS**      CHK. BY: **HFN**

SCALE: **NTS**

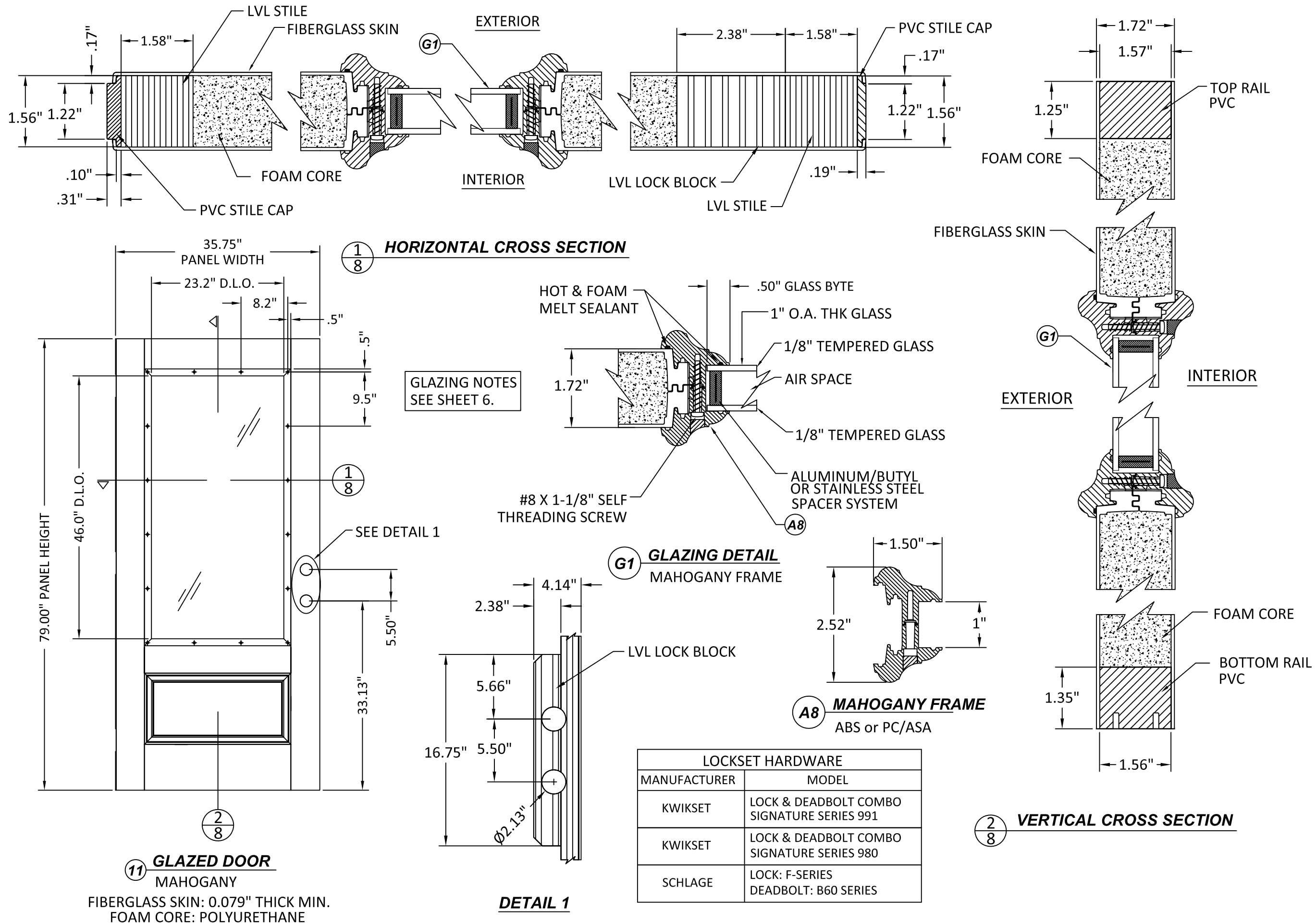
DWG. #: **TGI011**

SHEET:

**7**

10/18/2023 11:39 AM

s:\projects\trinity\_glass\_international\cc-23-1006 - fbc submittal - 2023 code change\dwg\tgi011.dwg

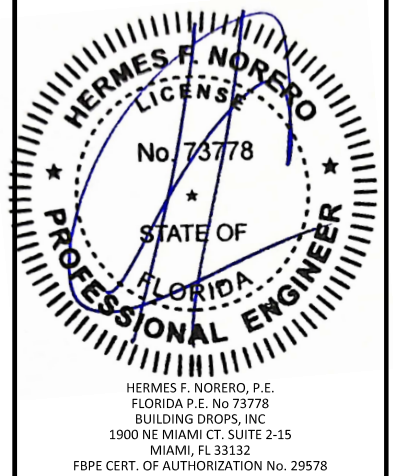


33615 1ST WAY S  
 FEDERAL WAY, WA 98003  
 PH: (253) 875-7300

TITLE: 6'8" GLAZED FIBERGLASS DOOR - INSWING/OUTSWING (HVHZ) (NON-IMPACT) DOOR PANEL CONSTRUCTION DETAILS  
 PREPARED BY: BUILDING DROPS, INC.  
 1900 NE MIAMI CT. SUITE 2-15  
 MIAMI, FL 33132  
 PH: (954) 399-8478  
 FAX: (954) 744-4738  
 WEB: www.buildingdrops.com

REMARKS	BY	DATE
2023 FBC UPDATE	MS	10/11/23

THE INSTALLATION DETAILS DESCRIBED HEREIN ARE GENERIC AND MAY NOT REFLECT ACTUAL CONDITIONS FOR A SPECIFIC SITE. IF SITE CONDITIONS CAUSE INSTALLATION TO DEVIATE FROM THE REQUIREMENTS DETAILED HEREIN, A LICENSED ENGINEER OR ARCHITECT SHALL PREPARE SITE SPECIFIC DOCUMENTS FOR USE WITH THIS DOCUMENT.

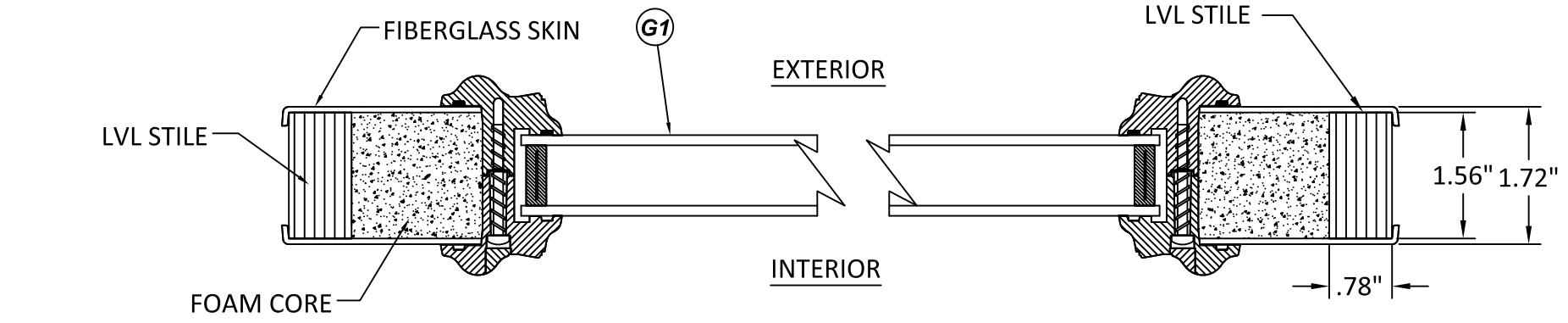


FL #: **FL20867**  
 DATE: **07.14.2016**  
 DWG. BY: **LS** CHK. BY: **HFN**  
 SCALE: **NTS**  
 DWG. #: **TGI011**  
 SHEET: **8**  
 OF 32

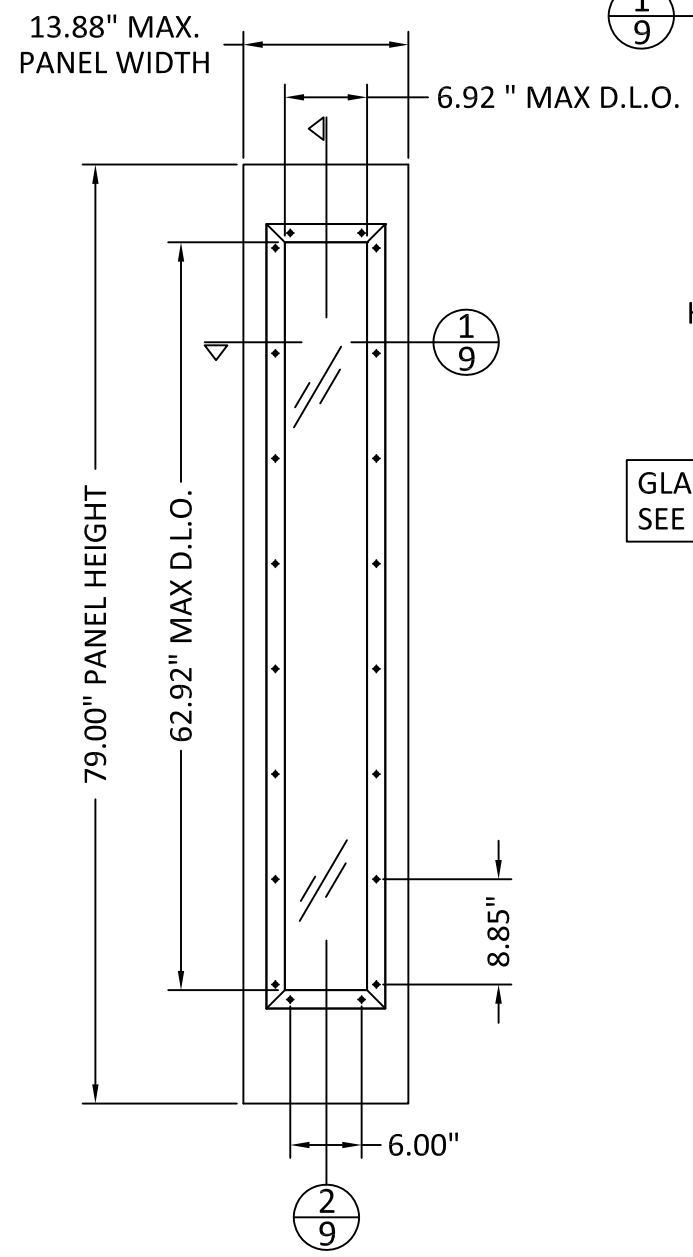


10/18/2023 11:39 AM

s:\projects\trinity\_glass\_international\cc-23-1006 - fbc submittal - 2023 code change\dwg\tgi011.dwg

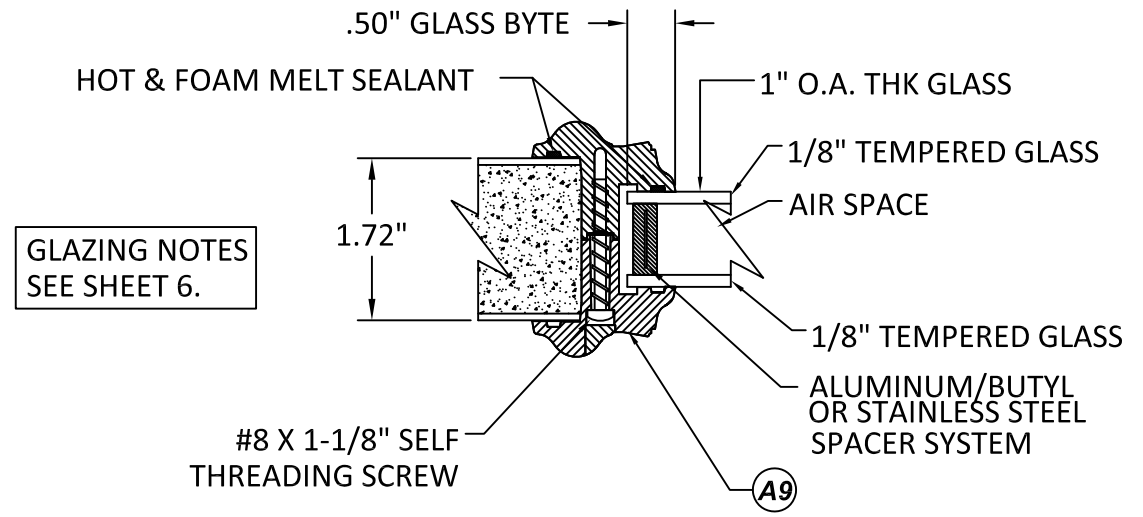


**1/9 HORIZONTAL CROSS SECTION**



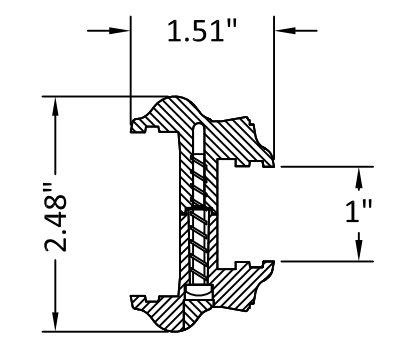
**12A SIDELITE PANEL LIPLITE FRAME**

FIBERGLASS SKIN: 0.079" THICK MIN.  
FOAM CORE: POLYURETHANE

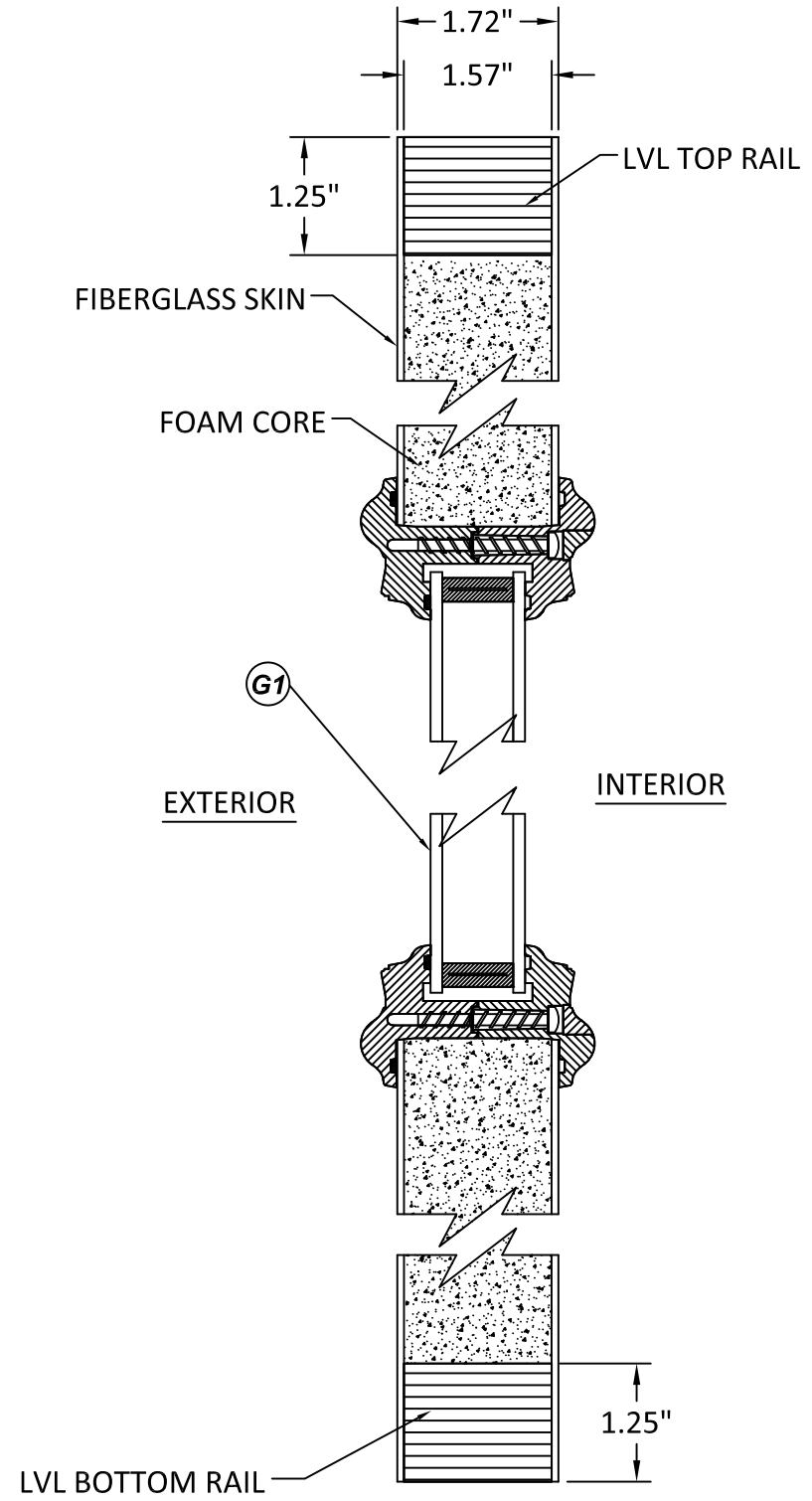


GLAZING NOTES  
SEE SHEET 6.

**G1 GLAZING DETAIL LIPLITE FRAME**



**A9 LIPLITE FRAME ABS or PC/ASA**



**2/9 VERTICAL CROSS SECTION**



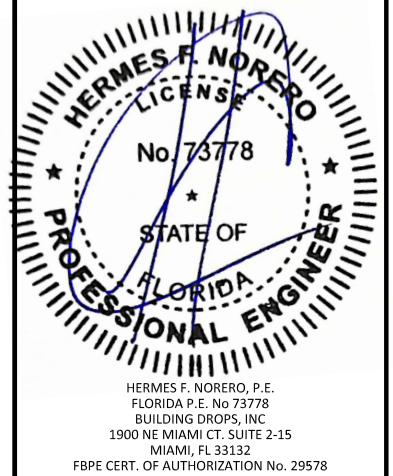
33615 1ST WAY S  
FEDERAL WAY, WA 98003  
PH: (253) 875-7300

TITLE: 6'8" GLAZED FIBERGLASS  
DOOR - INSWING/OUTSWING  
(HVHZ) (NON-IMPACT)  
SIDELITE PANEL  
CONSTRUCTION DETAILS

PREPARED BY:  
**BUILDING DROPS, INC.**  
1900 NE MIAMI CT. SUITE 2-15  
MIAMI, FL 33132  
PH: (954) 399-8478  
FAX: (954) 744-4738  
WEB: www.buildingdrops.com

REMARKS	BY	DATE
2023 FBC UPDATE	MS	10/11/23

THE INSTALLATION DETAILS DESCRIBED HEREIN ARE GENERIC AND MAY NOT REFLECT ACTUAL CONDITIONS FOR A SPECIFIC SITE. IF SITE CONDITIONS CAUSE INSTALLATION TO DEVIATE FROM THE REQUIREMENTS DETAILED HEREIN, A LICENSED ENGINEER OR ARCHITECT SHALL PREPARE SITE SPECIFIC DOCUMENTS FOR USE WITH THIS DOCUMENT.



FL #: **FL20867**

DATE: **07.14.2016**

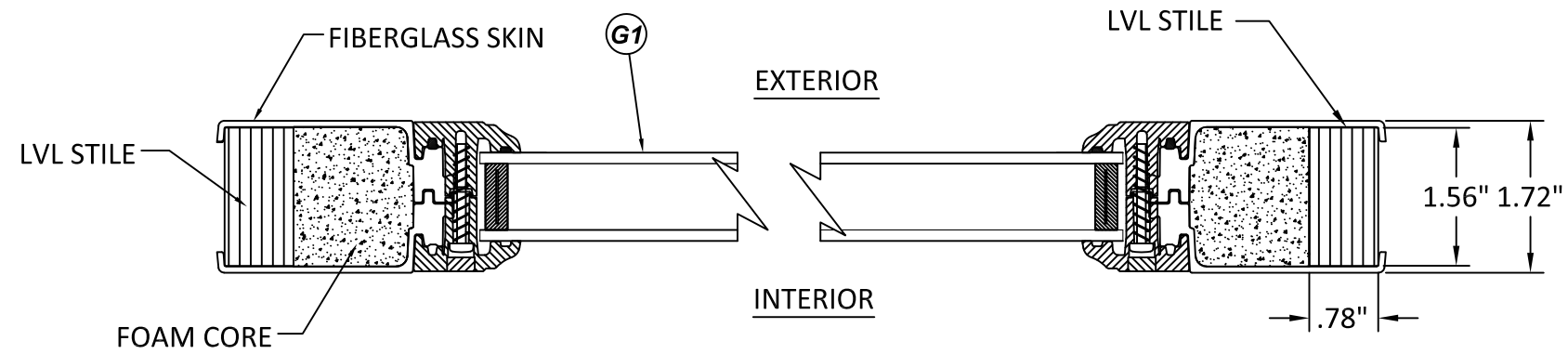
DWG. BY: **LS**      CHK. BY: **HFN**

SCALE: **NTS**

DWG. #: **TGI011**

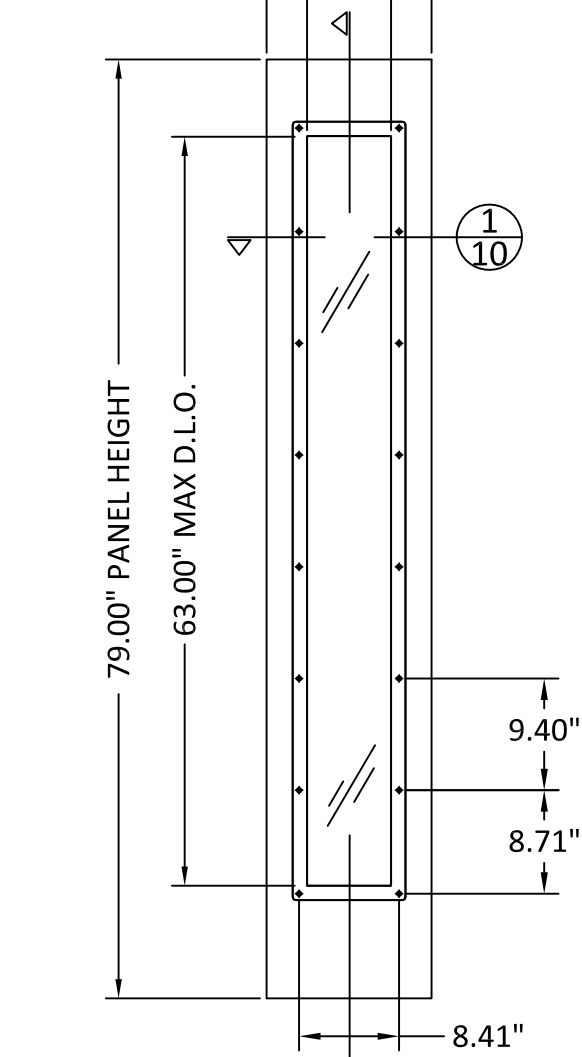
SHEET: **9**  
OF 32

10/18/2023 11:40 AM

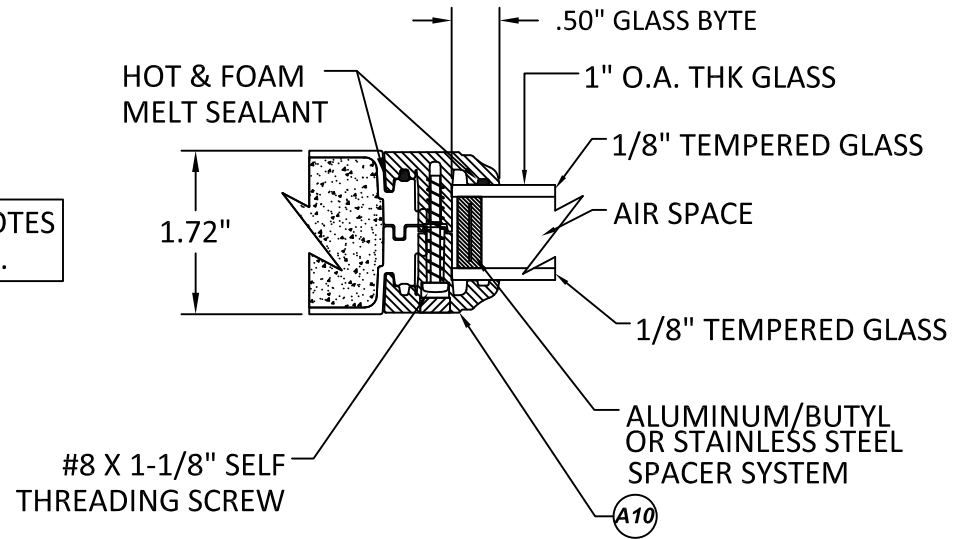


**1**  
**10** **HORIZONTAL CROSS SECTION**

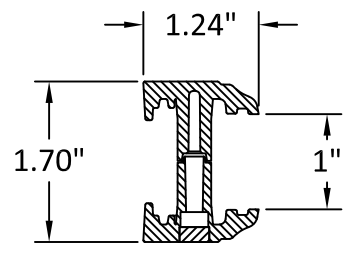
13.88" MAX. PANEL WIDTH  
7.00" MAX D.L.O.



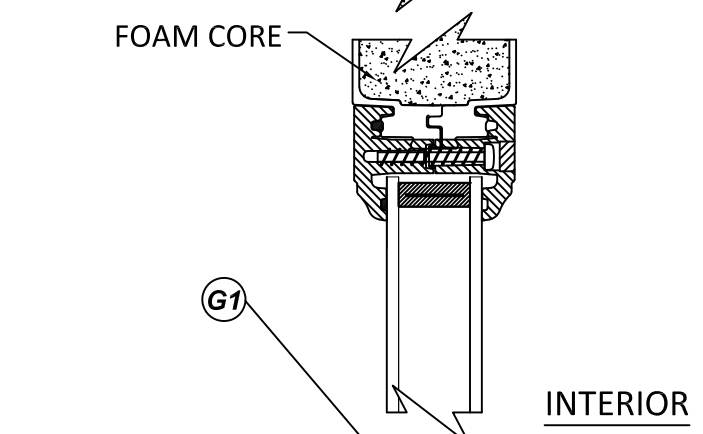
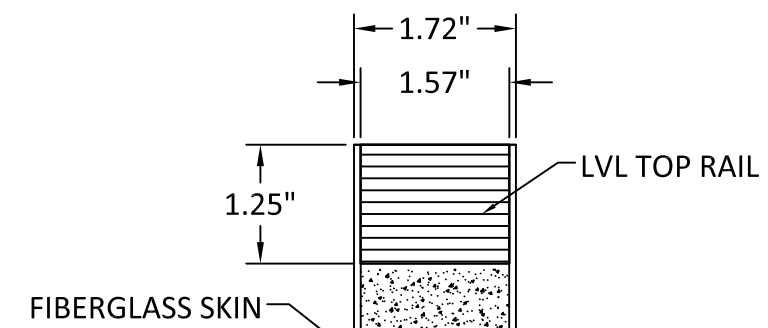
GLAZING NOTES  
SEE SHEET 6.



**G1** **GLAZING DETAIL**  
FLUSHGLAZED FRAME



**A10** **FLUSH GLAZED FRAME**  
ABS or PC/ASA



**2**  
**10** **VERTICAL CROSS SECTION**



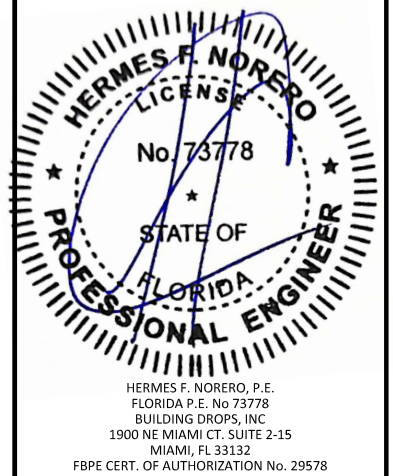
33615 1ST WAY S  
FEDERAL WAY, WA 98003  
PH: (253) 875-7300

TITLE: 6'8" GLAZED FIBERGLASS  
DOOR - INSWING/OUTSWING  
(HVHZ) (NON-IMPACT)  
SIDELITE PANEL  
CONSTRUCTION DETAILS

PREPARED BY:  
**BUILDING DROPS, INC.**  
1900 NE MIAMI CT. SUITE 2-15  
MIAMI, FL 33132  
PH: (954) 399-8478  
FAX: (954) 744-4738  
WEB: www.buildingdrops.com

REMARKS	BY	DATE
2023 FBC UPDATE	MS	10/11/23

THE INSTALLATION DETAILS DESCRIBED HEREIN ARE GENERIC AND MAY NOT REFLECT ACTUAL CONDITIONS FOR A SPECIFIC SITE. IF SITE CONDITIONS CAUSE INSTALLATION TO DEVIATE FROM THE REQUIREMENTS DETAILED HEREIN, A LICENSED ENGINEER OR ARCHITECT SHALL PREPARE SITE SPECIFIC DOCUMENTS FOR USE WITH THIS DOCUMENT.



HERMES F. NORERO, P.E.  
FLORIDA P.E. No. 73778  
BUILDING DROPS, INC.  
1900 NE MIAMI CT. SUITE 2-15  
MIAMI, FL 33132  
FBPE CERT. OF AUTHORIZATION No. 29578

FL #: **FL20867**

DATE: **07.14.2016**

DWG. BY: **LS**      CHK. BY: **HFN**

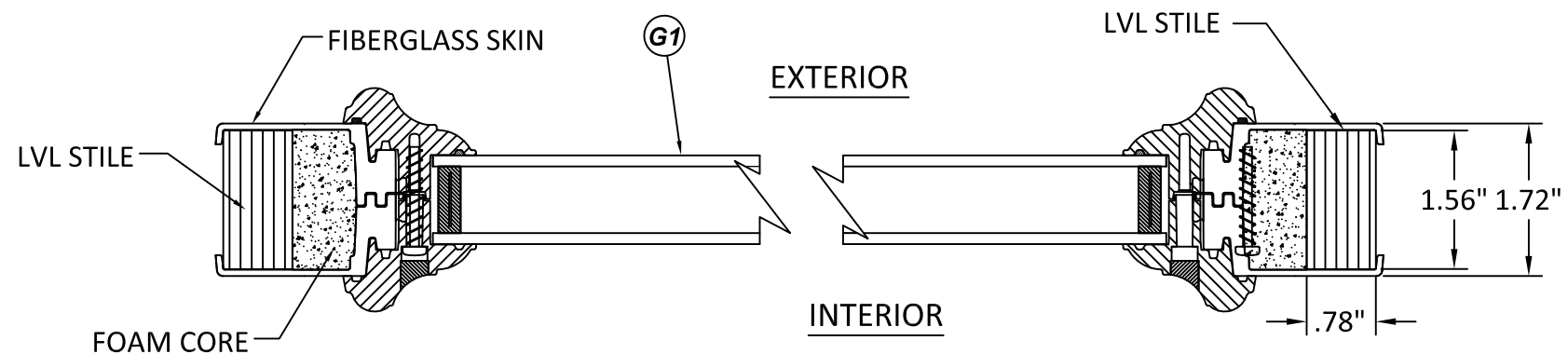
SCALE: **NTS**

DWG. #: **TGI011**

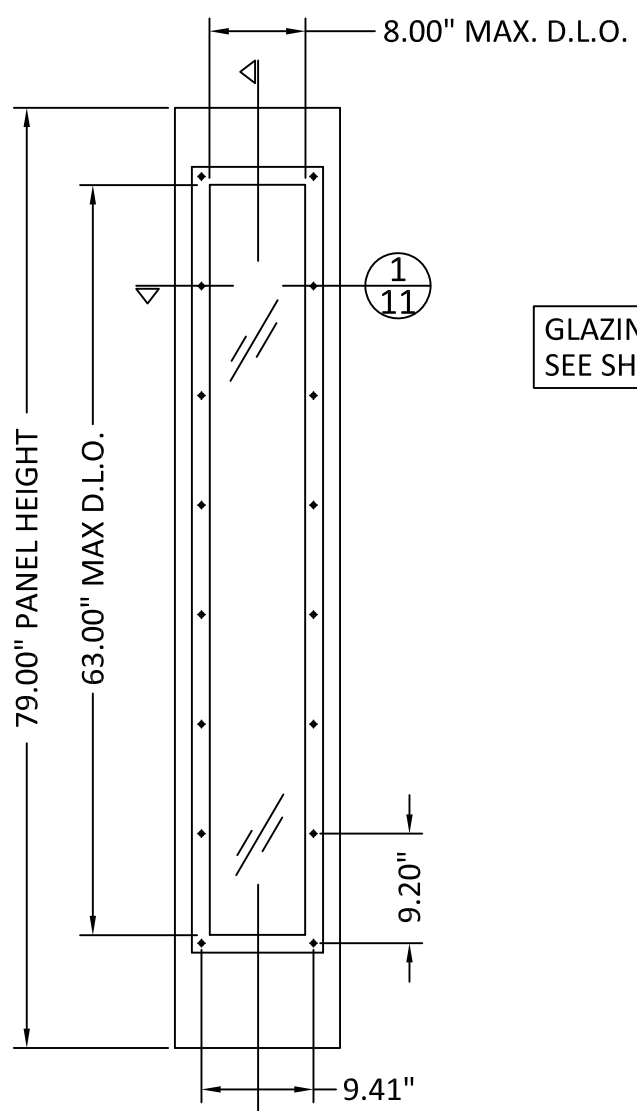
SHEET: **10**

s:\projects\trinity\_glass\_international\cc-23-1006 - fbc submittal - 2023 code change\dwg\tgi011.dwg

10/18/2023 11:40 AM



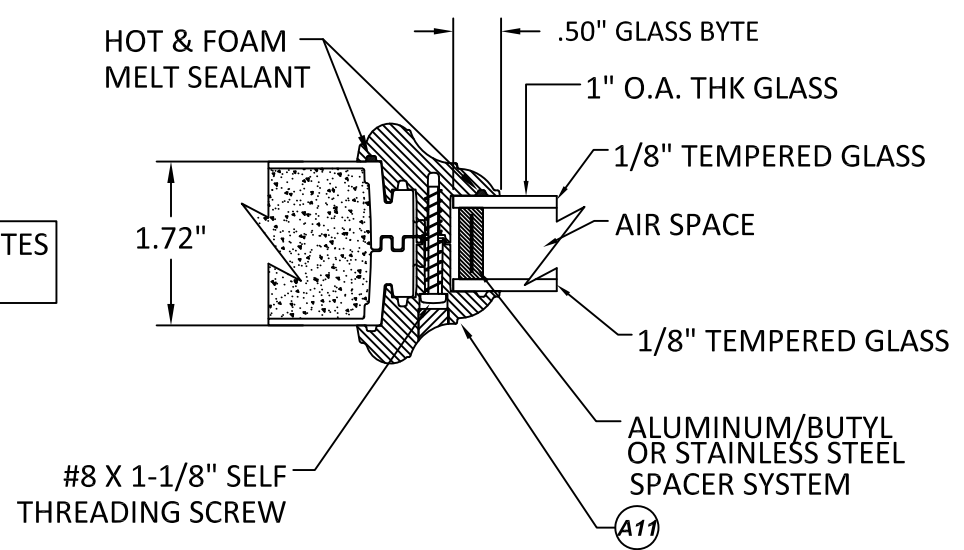
**1**  
**11** **HORIZONTAL CROSS SECTION**



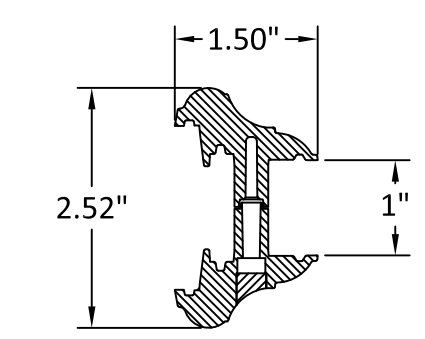
**12C** **SIDELITE PANEL**  
**MAHOGANY FRAME**

FIBERGLASS SKIN: 0.079" THICK MIN.  
FOAM CORE: POLYURETHANE

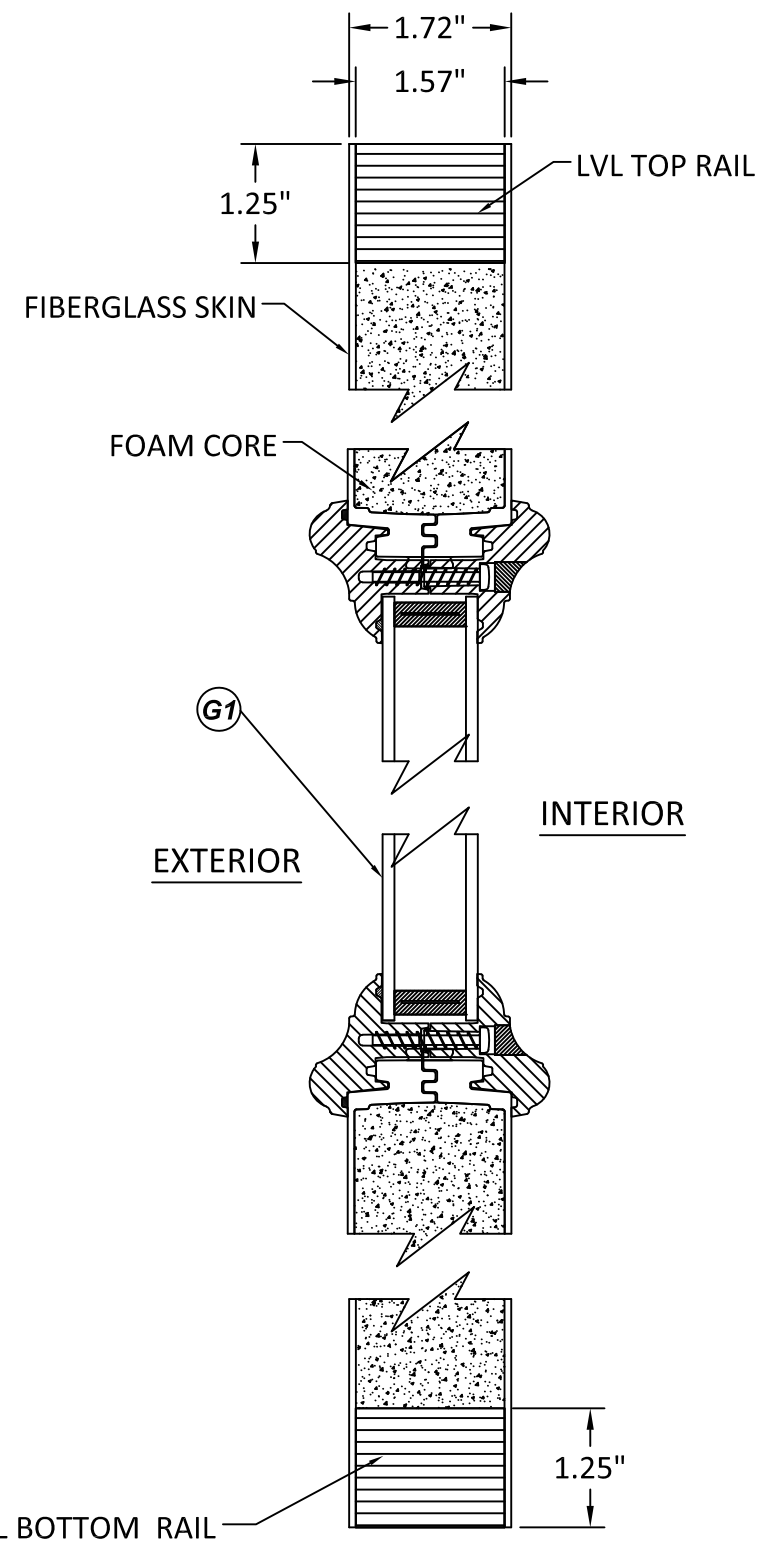
GLAZING NOTES  
SEE SHEET 6.



**G1** **GLAZING DETAIL**  
**MAHOGANY FRAME**



**A11** **MAHOGANY FRAME**  
**ABS or PC/ASA**



**2**  
**11** **VERTICAL CROSS SECTION**



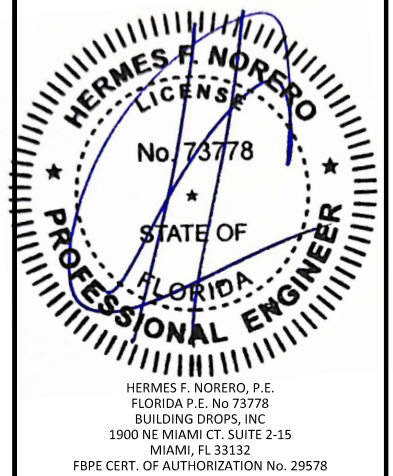
33615 1ST WAY S  
FEDERAL WAY, WA 98003  
PH: (253) 875-7300

TITLE: 6'8" GLAZED FIBERGLASS  
DOOR - INSWING/OUTSWING  
(HVHZ) (NON-IMPACT)  
SIDELITE PANEL  
CONSTRUCTION DETAILS

PREPARED BY:  
**BUILDING DROPS, INC.**  
1900 NE MIAMI CT. SUITE 2-15  
MIAMI, FL 33132  
PH: (954) 399-8478  
FAX: (954) 744-4738  
WEB: www.buildingdrops.com

REMARKS	BY	DATE
2023 FBC UPDATE	MS	10/11/23

THE INSTALLATION DETAILS DESCRIBED HEREIN ARE GENERIC AND MAY NOT REFLECT ACTUAL CONDITIONS FOR A SPECIFIC SITE. IF SITE CONDITIONS CAUSE INSTALLATION TO DEVIATE FROM THE REQUIREMENTS DETAILED HEREIN, A LICENSED ENGINEER OR ARCHITECT SHALL PREPARE SITE SPECIFIC DOCUMENTS FOR USE WITH THIS DOCUMENT.



HERMES F. NORERO, P.E.  
FLORIDA P.E. No. 73778  
BUILDING DROPS, INC.  
1900 NE MIAMI CT. SUITE 2-15  
MIAMI, FL 33132  
FBPE CERT. OF AUTHORIZATION No. 29578

FL #: **FL20867**

DATE: **07.14.2016**

DWG. BY: **LS**      CHK. BY: **HFN**

SCALE: **NTS**

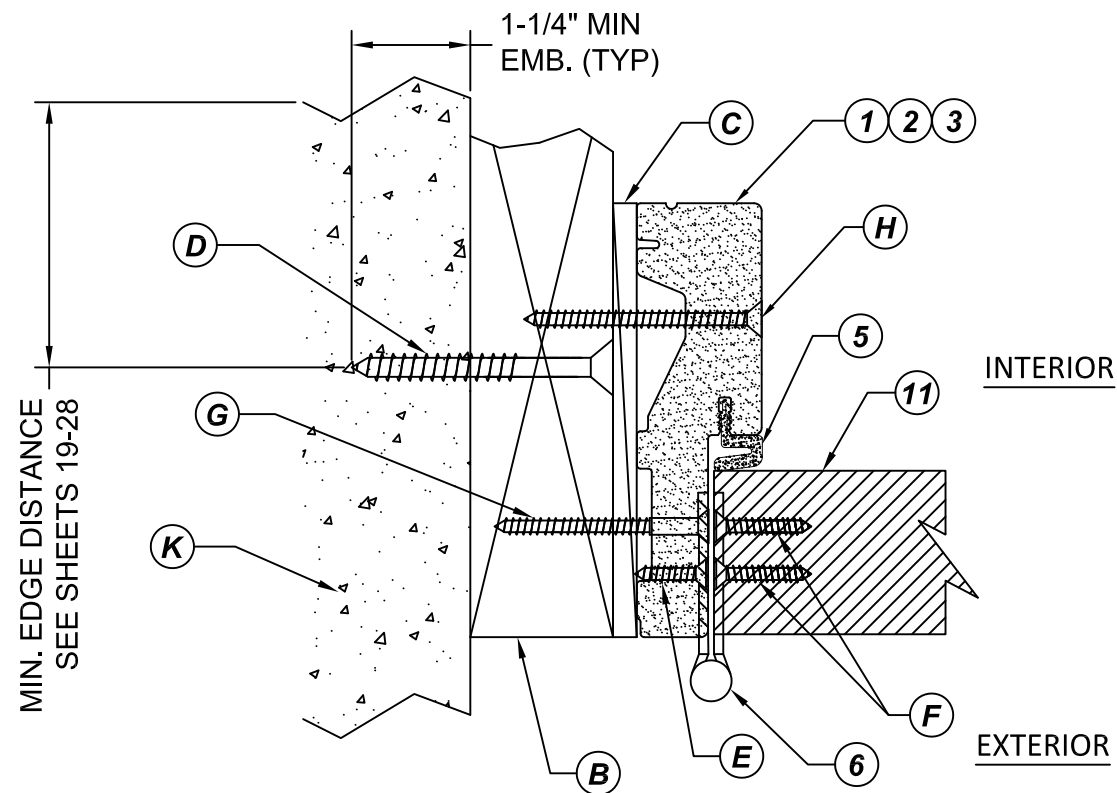
DWG. #: **TGI011**

SHEET:

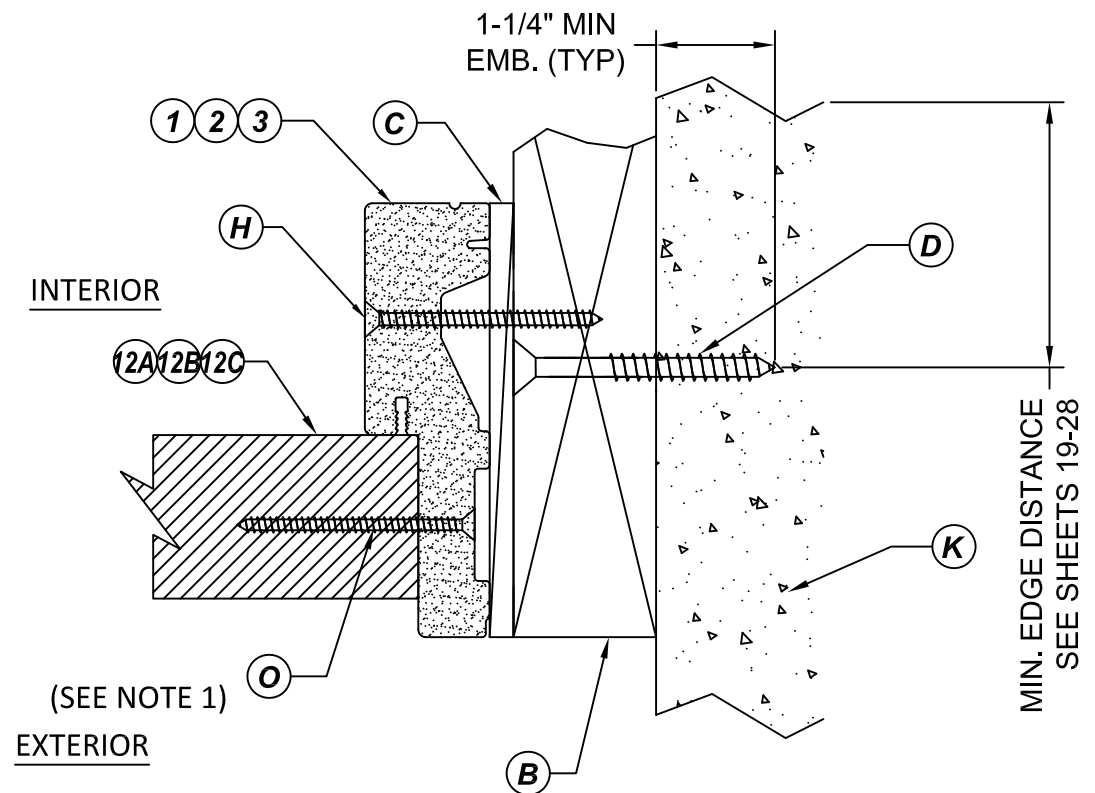
**11**

s:\projects\trinity\_glass\_international\cc-23-1006 - fbc submittal - 2023 code change\dwg\tgi011.dwg

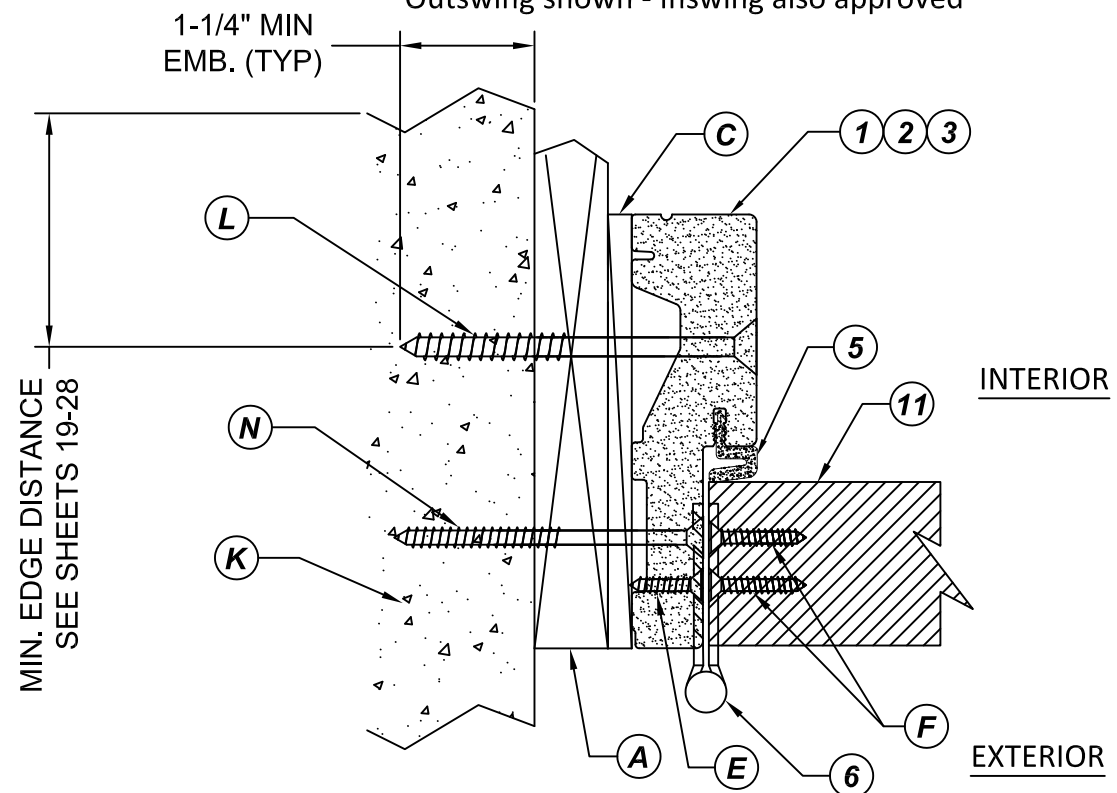
10/18/2023 11:40 AM



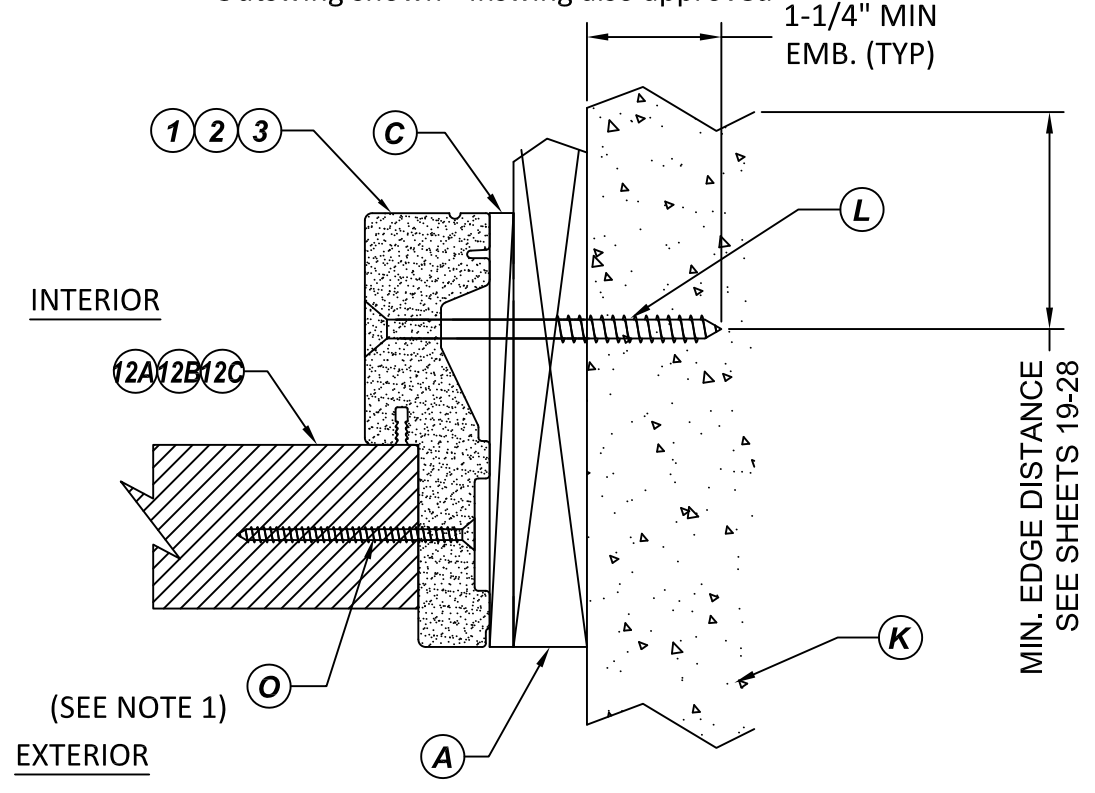
**1** **HORIZONTAL CROSS SECTION**  
**12** SHOWN W/ 2X WOOD BUCK  
 Outswing shown - Inswing also approved



**2** **HORIZONTAL CROSS SECTION**  
**12** SHOWN W/ 2X WOOD BUCK  
 Outswing shown - Inswing also approved



**3** **HORIZONTAL CROSS SECTION**  
**12** SHOWN W/ 1X WOOD BUCK  
 Outswing shown - Inswing also approved



**4** **HORIZONTAL CROSS SECTION**  
**12** SHOWN W/ 1X WOOD BUCK  
 Outswing shown - Inswing also approved

**NOTE:**

1. SIDELITE SCREWS LOCATED 6" FROM EACH END OF SIDE JAMB AND 3 EQUALLY SPACED SCREWS FROM THE END SCREWS.



33615 1ST WAY S  
 FEDERAL WAY, WA 98003  
 PH: (253) 875-7300

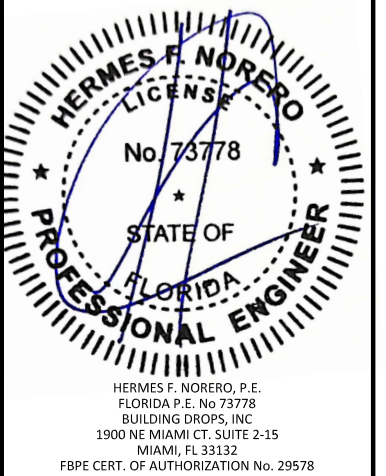
TITLE: 6'8" GLAZED FIBERGLASS  
 DOOR - INSWING/OUTSWING  
 (HVHZ) (NON-IMPACT)  
**HORIZONTAL  
 CROSS SECTIONS**

PREPARED BY:  
**BUILDING DROPS, INC.**  
 1900 NE MIAMI CT. SUITE 2-15  
 MIAMI, FL 33132  
 PH: (954) 399-8478  
 FAX: (954) 744-4738  
 WEB: www.buildingdrops.com



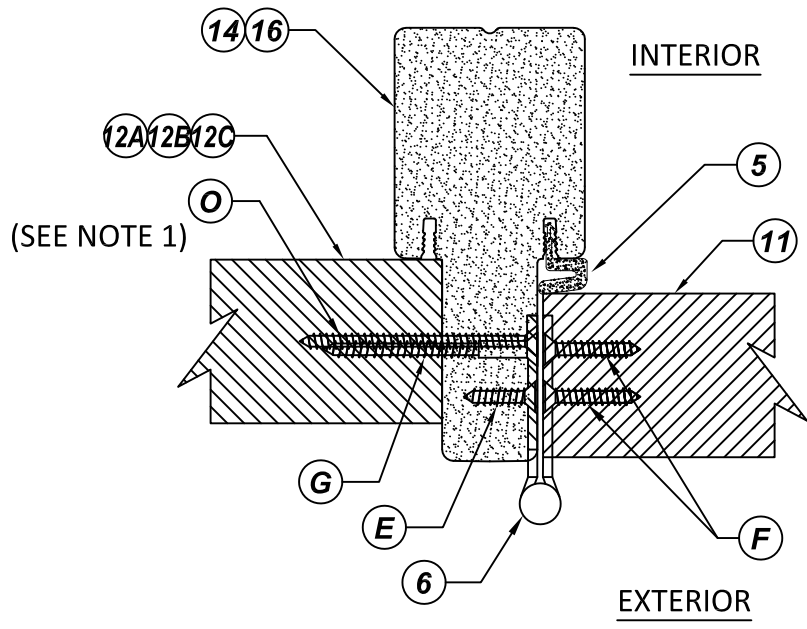
REMARKS	BY	DATE
2023 FBC UPDATE	MS	10/11/23

THE INSTALLATION DETAILS DESCRIBED HEREIN ARE GENERIC AND MAY NOT REFLECT ACTUAL CONDITIONS FOR A SPECIFIC SITE. IF SITE CONDITIONS CAUSE INSTALLATION TO DEVIATE FROM THE REQUIREMENTS DETAILED HEREIN, A LICENSED ENGINEER OR ARCHITECT SHALL PREPARE SITE SPECIFIC DOCUMENTS FOR USE WITH THIS DOCUMENT.

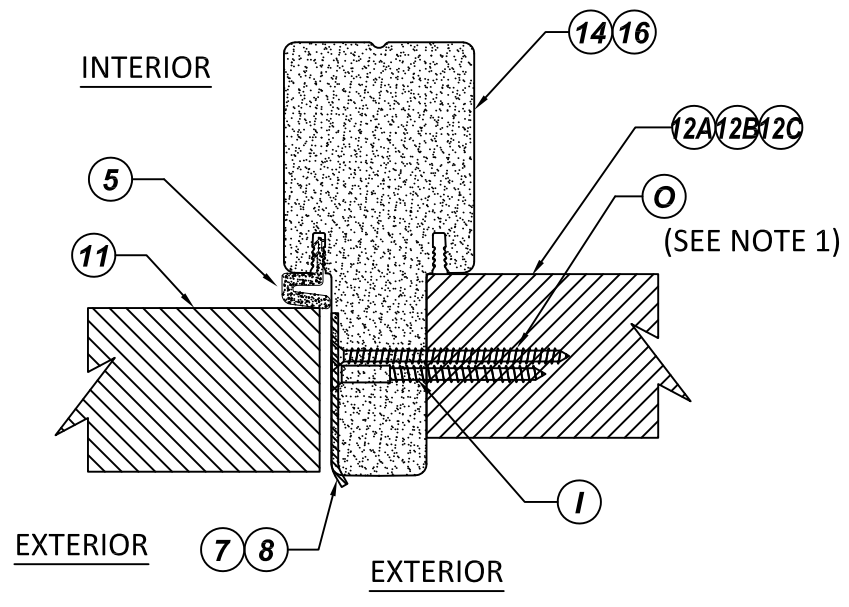


FL #:	<b>FL20867</b>
DATE:	<b>07.14.2016</b>
DWG. BY:	<b>LS</b>
CHK. BY:	<b>HFN</b>
SCALE:	<b>NTS</b>
DWG. #:	<b>TGI011</b>
SHEET:	<b>12</b>

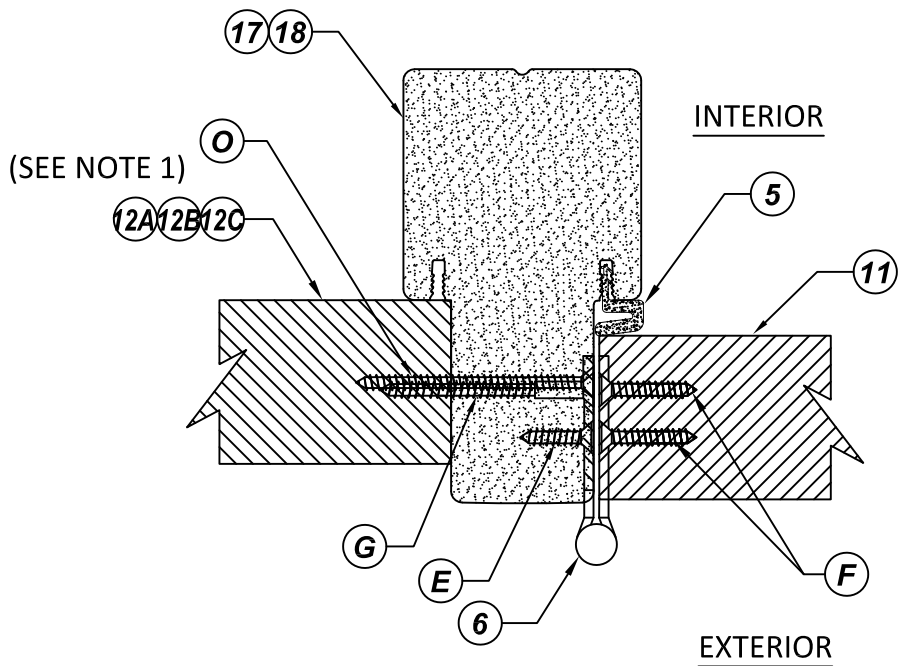
10/18/2023 11:40 AM



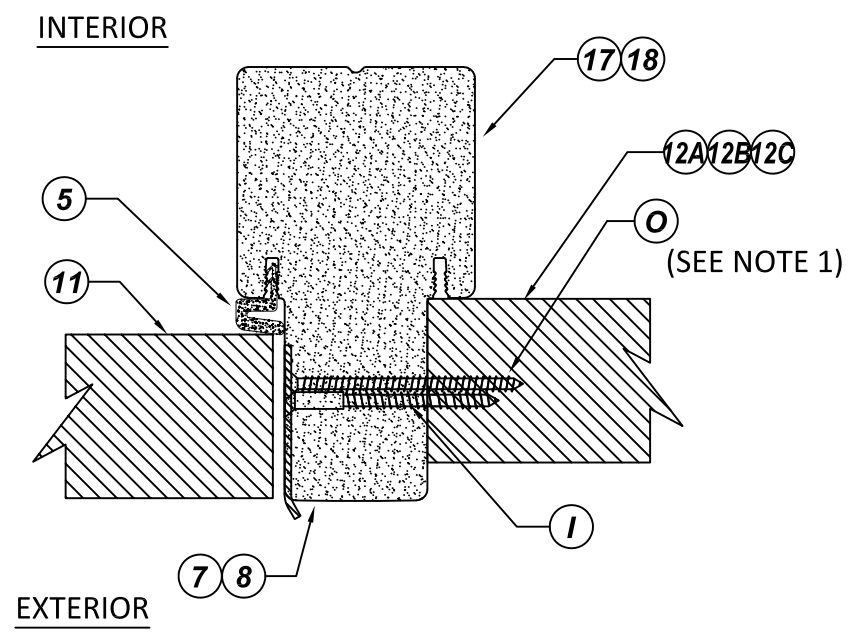
**1**  
**13** **HORIZONTAL CROSS SECTION**  
Outswing shown - Inswing also approved



**2**  
**13** **HORIZONTAL CROSS SECTION**  
Outswing shown - Inswing also approved



**3**  
**13** **HORIZONTAL CROSS SECTION**  
Outswing shown - Inswing also approved



**4**  
**13** **HORIZONTAL CROSS SECTION**  
Outswing shown - Inswing also approved

**NOTE:**  
1. SIDELITE SCREWS LOCATED 6" FROM EACH END OF MULLION AND 3 EQUALLY SPACED SCREWS FROM THE END SCREWS.



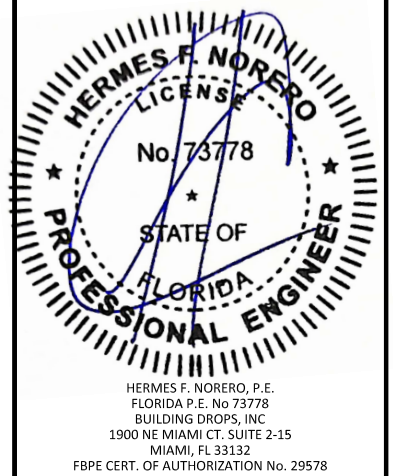
33615 1ST WAY S  
FEDERAL WAY, WA 98003  
PH: (253) 875-7300

TITLE: 6"8" GLAZED FIBERGLASS  
DOOR - INSWING/OUTSWING  
(HVHZ) (NON-IMPACT)  
HORIZONTAL  
CROSS SECTIONS

PREPARED BY:  
**BD**  
BUILDING DROPS  
BUILDING DROPS, INC.  
1900 NE MIAMI CT. SUITE 2-15  
MIAMI, FL 33132  
PH: (954) 399-8478  
FAX: (954) 744-4738  
WEB: www.buildingdrops.com

REMARKS	BY	DATE
2023 FBC UPDATE	MS	10/11/23

THE INSTALLATION DETAILS DESCRIBED HEREIN ARE GENERIC AND MAY NOT REFLECT ACTUAL CONDITIONS FOR A SPECIFIC SITE. IF SITE CONDITIONS CAUSE INSTALLATION TO DEVIATE FROM THE REQUIREMENTS DETAILED HEREIN, A LICENSED ENGINEER OR ARCHITECT SHALL PREPARE SITE SPECIFIC DOCUMENTS FOR USE WITH THIS DOCUMENT.



FL #:	<b>FL20867</b>
DATE:	<b>07.14.2016</b>
DWG. BY:	<b>LS</b>
CHK. BY:	<b>HFN</b>
SCALE:	<b>NTS</b>
DWG. #:	<b>TGI011</b>
SHEET:	<b>13</b>

s:\projects\trinity\_glass\_international\cc-23-1006 - fbc submittal - 2023 code change\dwg\tgi011.dwg

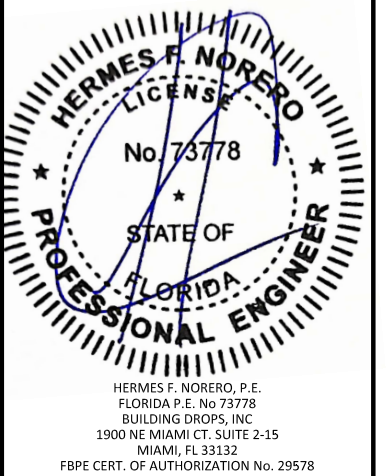
TITLE: 6'8" GLAZED FIBERGLASS  
DOOR - INSWING/OUTSWING  
(HVHZ) (NON-IMPACT)  
HORIZONTAL  
CROSS SECTIONS

PREPARED BY:  
**BUILDING DROPS, INC.**  
1900 NE MIAMI CT. SUITE 2-15  
MIAMI, FL 33132  
PH: (954) 399-8478  
FAX: (954) 744-4738  
WEB: www.buildingdrops.com

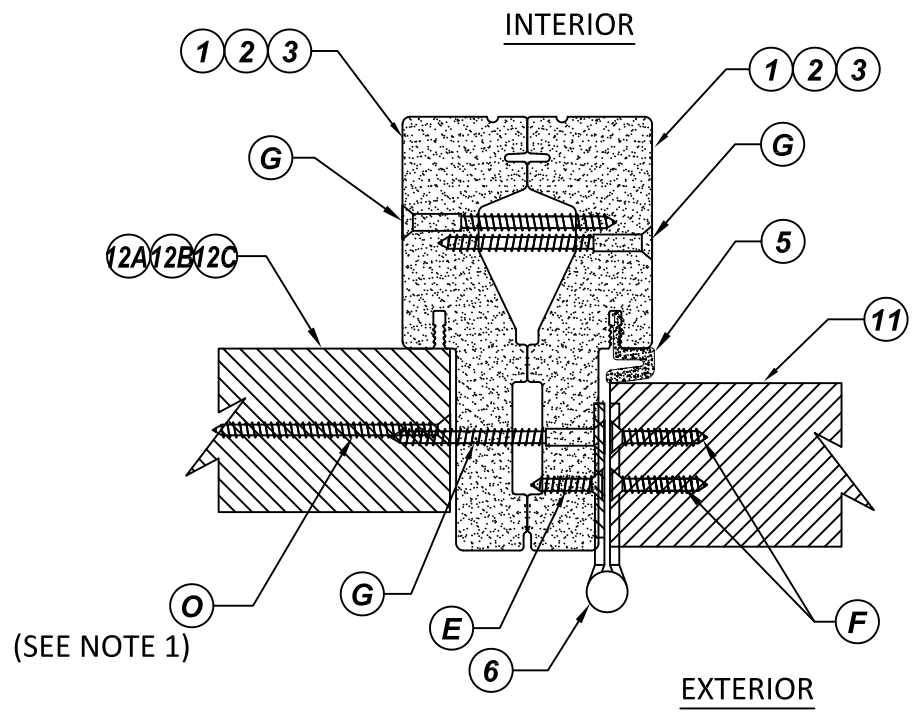


REMARKS	BY	DATE
2023 FBC UPDATE	MS	10/11/23

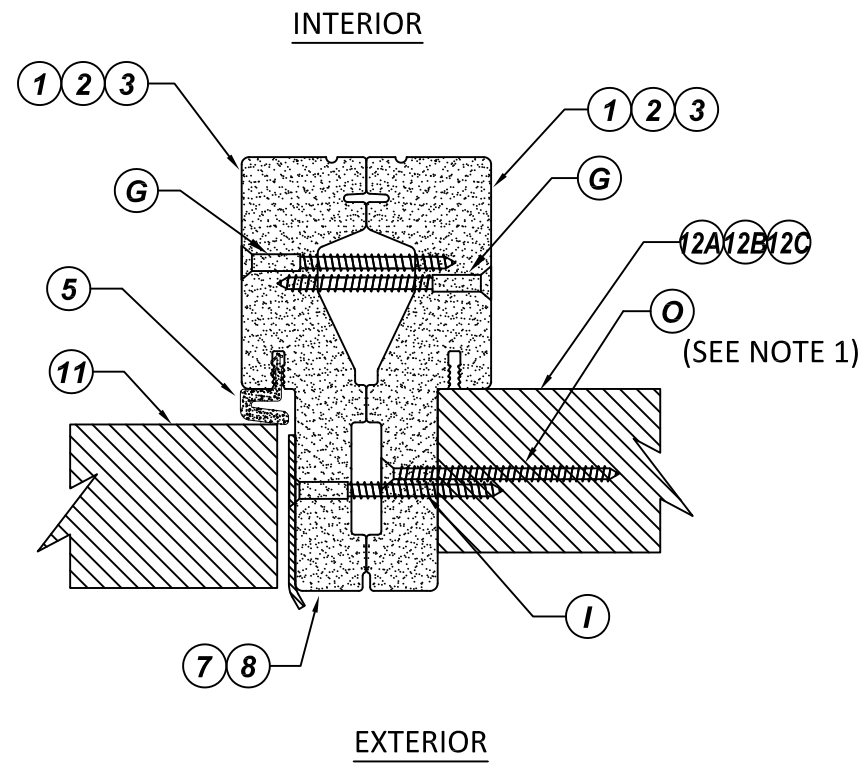
THE INSTALLATION DETAILS DESCRIBED HEREIN ARE GENERIC AND MAY NOT REFLECT ACTUAL CONDITIONS FOR A SPECIFIC SITE. IF SITE CONDITIONS CAUSE INSTALLATION TO DEVIATE FROM THE REQUIREMENTS DETAILED HEREIN, A LICENSED ENGINEER OR ARCHITECT SHALL PREPARE SITE SPECIFIC DOCUMENTS FOR USE WITH THIS DOCUMENT.



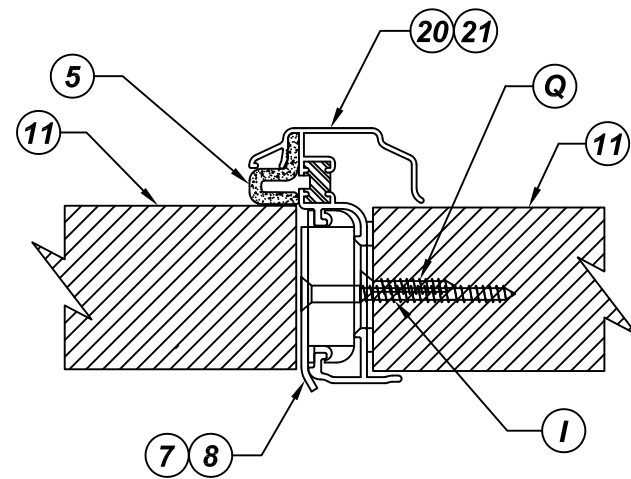
FL #:	<b>FL20867</b>
DATE:	<b>07.14.2016</b>
DWG. BY:	<b>LS</b>
CHK. BY:	<b>HFN</b>
SCALE:	<b>NTS</b>
DWG. #:	<b>TGI011</b>
SHEET:	<b>14</b>



**1**  
**14** **HORIZONTAL CROSS SECTION**  
Outswing shown - Inswing also approved



**2**  
**14** **HORIZONTAL CROSS SECTION**  
Outswing shown - Inswing also approved



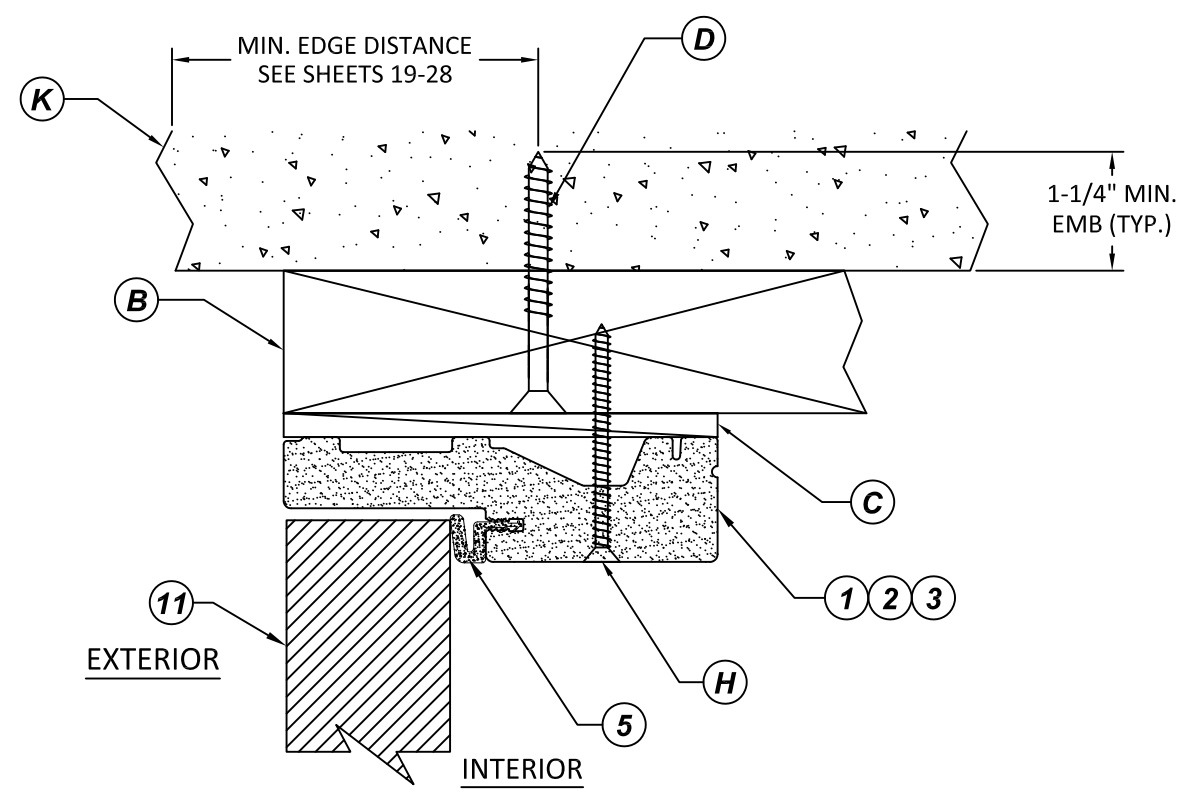
**3**  
**14** **HORIZONTAL CROSS SECTION**  
Outswing shown - Inswing also approved

**NOTE:**  
1. SIDELITE SCREWS LOCATED 6" FROM EACH END OF MULLION AND 3 EQUALLY SPACED SCREWS FROM THE END SCREWS.

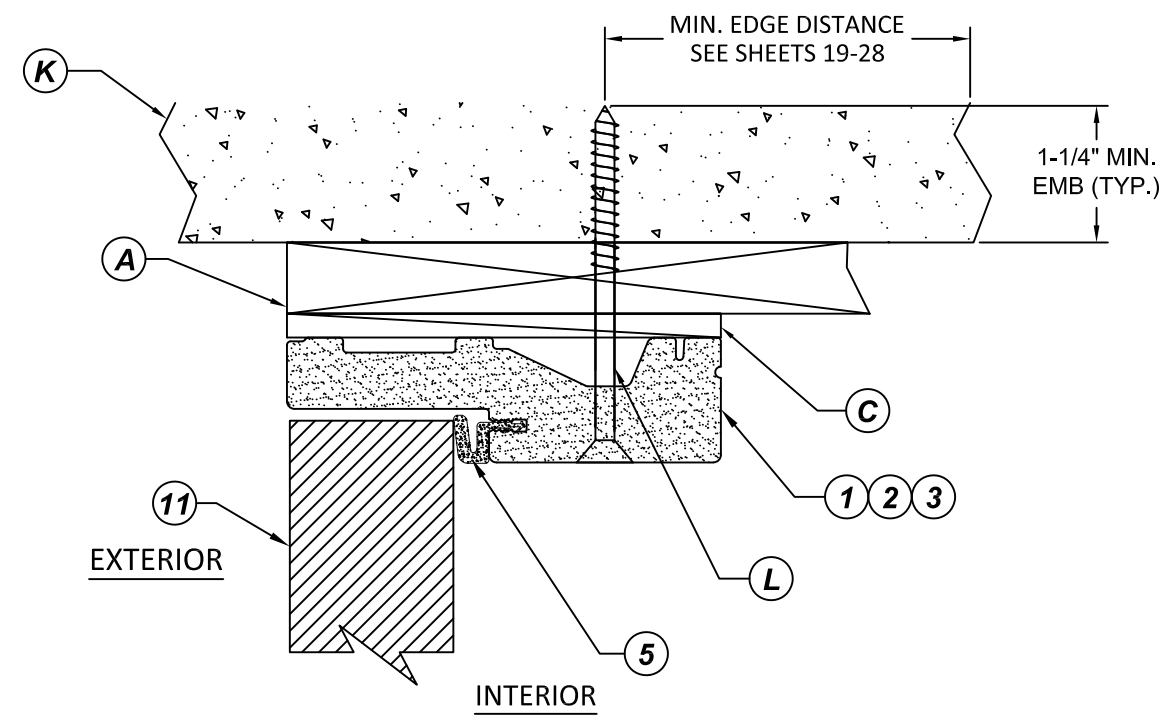
10/18/2023 11:40 AM

s:\projects\trinity\_glass\_international\cc-23-1006 - fbc submittal - 2023 code change\dwg\tgi011.dwg

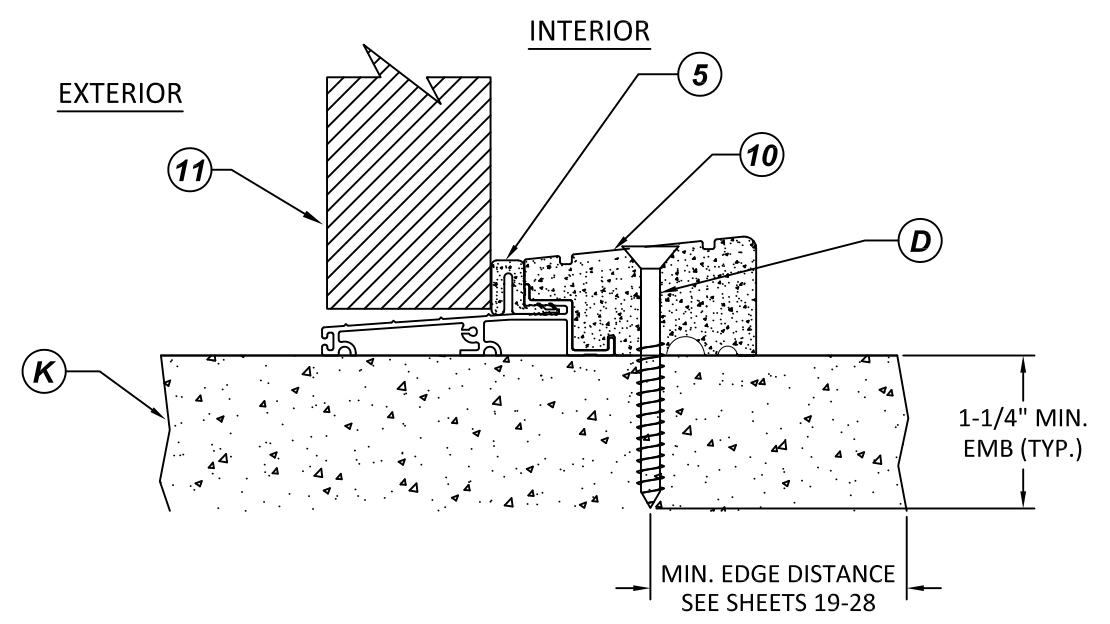
10/18/2023 11:40 AM



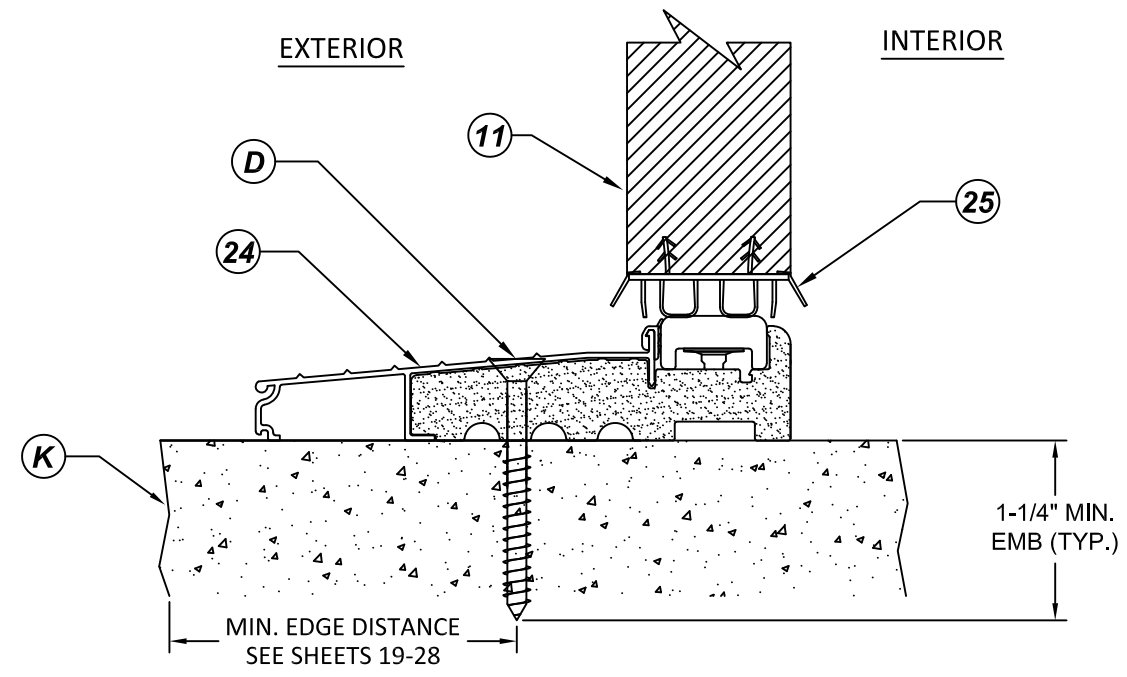
**1**  
**15** **VERTICAL CROSS SECTION**  
SHOWN W/ 2X WOOD BUCK  
Outswing shown - Inswing also approved



**2**  
**15** **VERTICAL CROSS SECTION**  
SHOWN W/ 1X WOOD BUCK  
Outswing shown - Inswing also approved



**3**  
**15** **VERTICAL CROSS SECTION**  
OUTSWING SILL



**4**  
**15** **VERTICAL CROSS SECTION**  
INSWING SILL



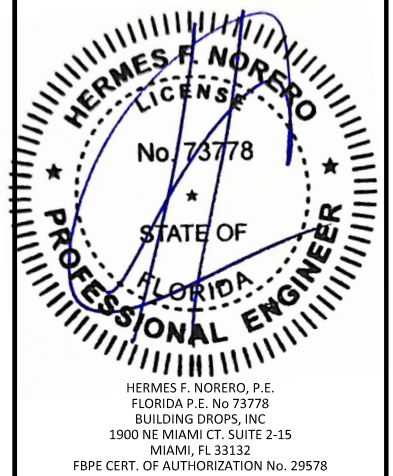
33615 1ST WAY S  
FEDERAL WAY, WA 98003  
PH: (253) 875-7300

TITLE: 6'8" GLAZED FIBERGLASS  
DOOR - INSWING/OUTSWING  
(HVHZ) (NON-IMPACT)  
VERTICAL  
CROSS SECTIONS

PREPARED BY:  
**BUILDING DROPS, INC.**  
1900 NE MIAMI CT. SUITE 2-15  
MIAMI, FL 33132  
PH: (954) 399-8478  
FAX: (954) 744-4738  
WEB: www.buildingdrops.com

REMARKS	BY	DATE
2023 FBC UPDATE	MS	10/11/23

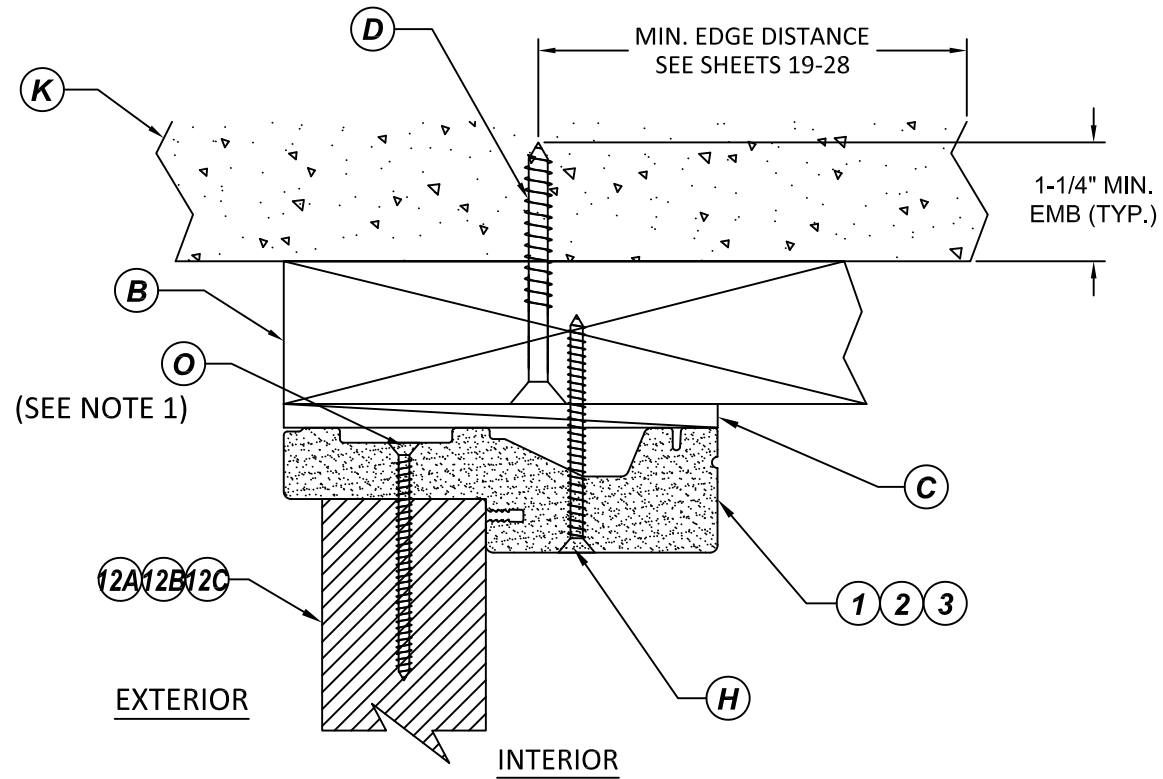
THE INSTALLATION DETAILS DESCRIBED HEREIN ARE GENERIC AND MAY NOT REFLECT ACTUAL CONDITIONS FOR A SPECIFIC SITE. IF SITE CONDITIONS CAUSE INSTALLATION TO DEVIATE FROM THE REQUIREMENTS DETAILED HEREIN, A LICENSED ENGINEER OR ARCHITECT SHALL PREPARE SITE SPECIFIC DOCUMENTS FOR USE WITH THIS DOCUMENT.



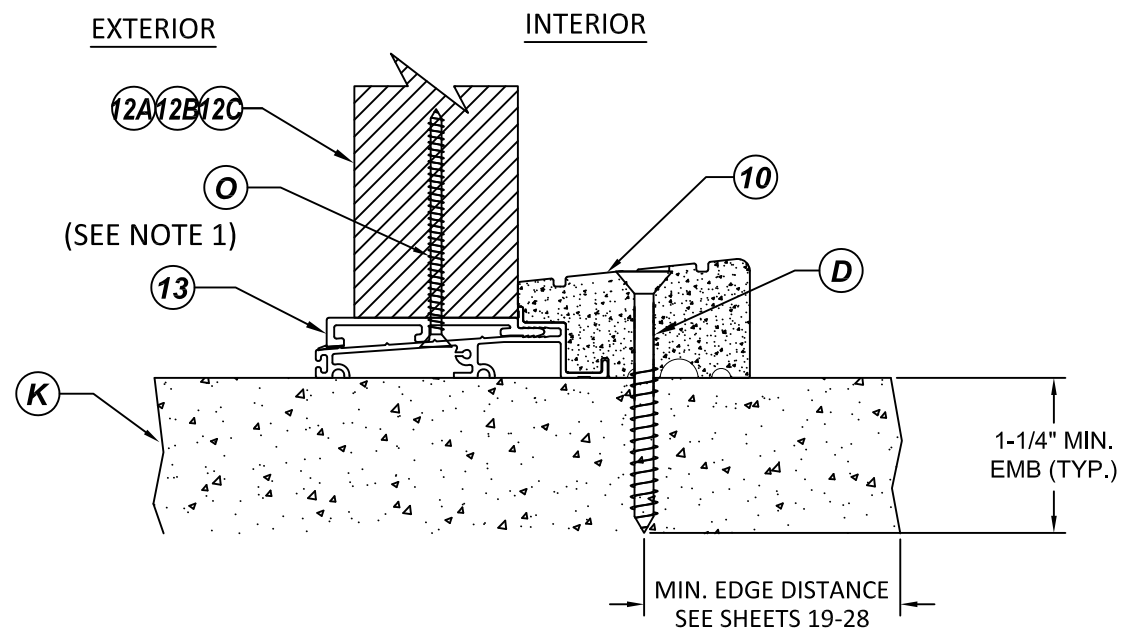
FL #:	<b>FL20867</b>
DATE:	<b>07.14.2016</b>
DWG. BY:	<b>LS</b>
CHK. BY:	<b>HFN</b>
SCALE:	<b>NTS</b>
DWG. #:	<b>TGI011</b>
SHEET:	<b>15</b>

s:\projects\trinity\_glass\_international\cc-23-1006 - fbc submittal - 2023 code change\dwg\tgi011.dwg

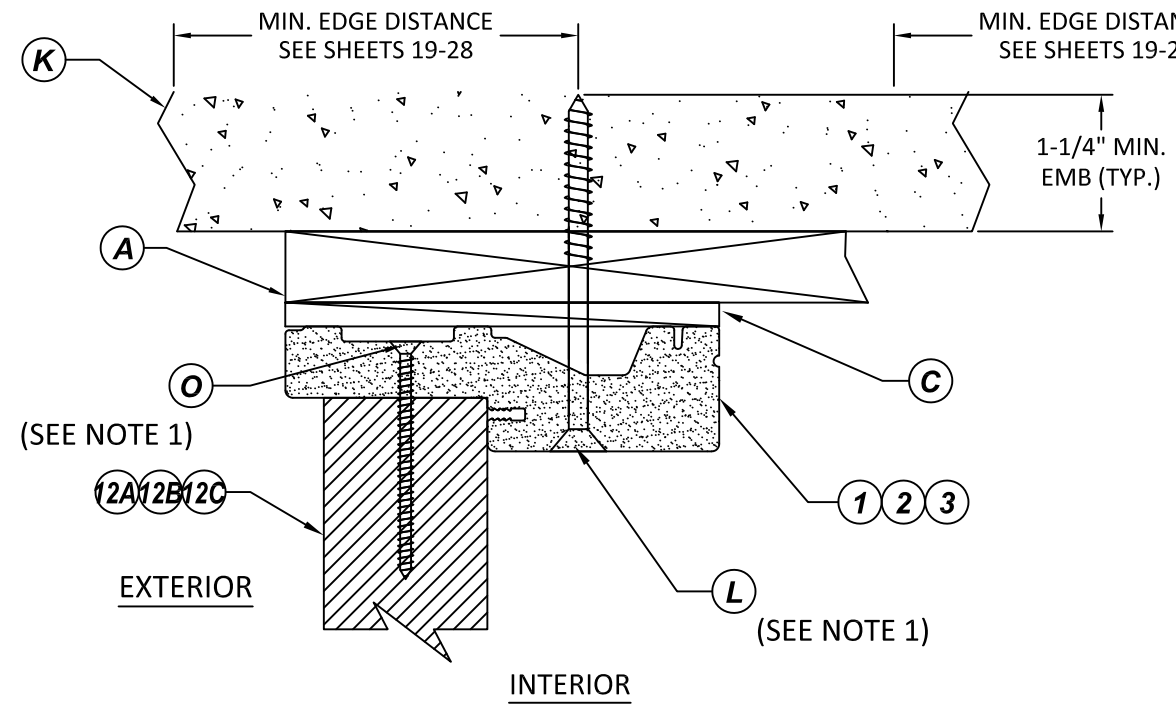
10/18/2023 11:40 AM



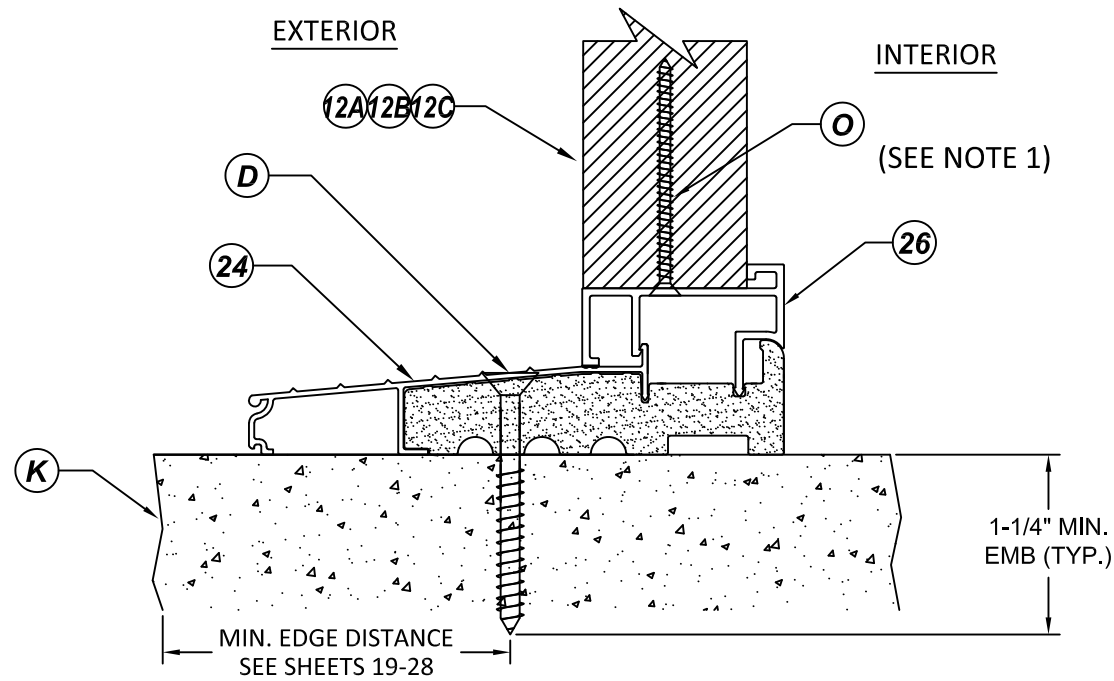
**1**  
**16** **VERTICAL CROSS SECTION**  
SHOWN W/ 1X WOOD BUCK  
Outswing shown - Inswing also approved



**3**  
**16** **VERTICAL CROSS SECTION**  
OUTSWING SILL



**2**  
**16** **VERTICAL CROSS SECTION**  
SHOWN W/ 1X WOOD BUCK  
Outswing shown - Inswing also approved



**4**  
**16** **VERTICAL CROSS SECTION**  
INSWING SILL

**NOTE:**  
1. SIDELITE SCREWS THRU HEADER AND SILL LOCATED AT CENTER OF EACH SIDELITE TOP AND BOTTOM RAILS.



33615 1ST WAY S  
FEDERAL WAY, WA 98003  
PH: (253) 875-7300

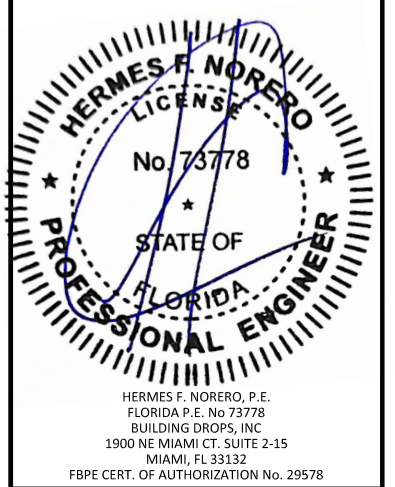
TITLE: 6"8" GLAZED FIBERGLASS  
DOOR - INSWING/OUTSWING  
(HVHZ) (NON-IMPACT)  
VERTICAL  
CROSS SECTIONS

PREPARED BY:  
**BUILDING DROPS, INC.**  
1900 NE MIAMI CT. SUITE 2-15  
MIAMI, FL 33132  
PH: (954) 399-8478  
FAX: (954) 744-4738  
WEB: www.buildingdrops.com



REMARKS	BY	DATE
2023 FBC UPDATE	MS	10/11/23

THE INSTALLATION DETAILS DESCRIBED HEREIN ARE GENERIC AND MAY NOT REFLECT ACTUAL CONDITIONS FOR A SPECIFIC SITE. IF SITE CONDITIONS CAUSE INSTALLATION TO DEVIATE FROM THE REQUIREMENTS DETAILED HEREIN, A LICENSED ENGINEER OR ARCHITECT SHALL PREPARE SITE SPECIFIC DOCUMENTS FOR USE WITH THIS DOCUMENT.

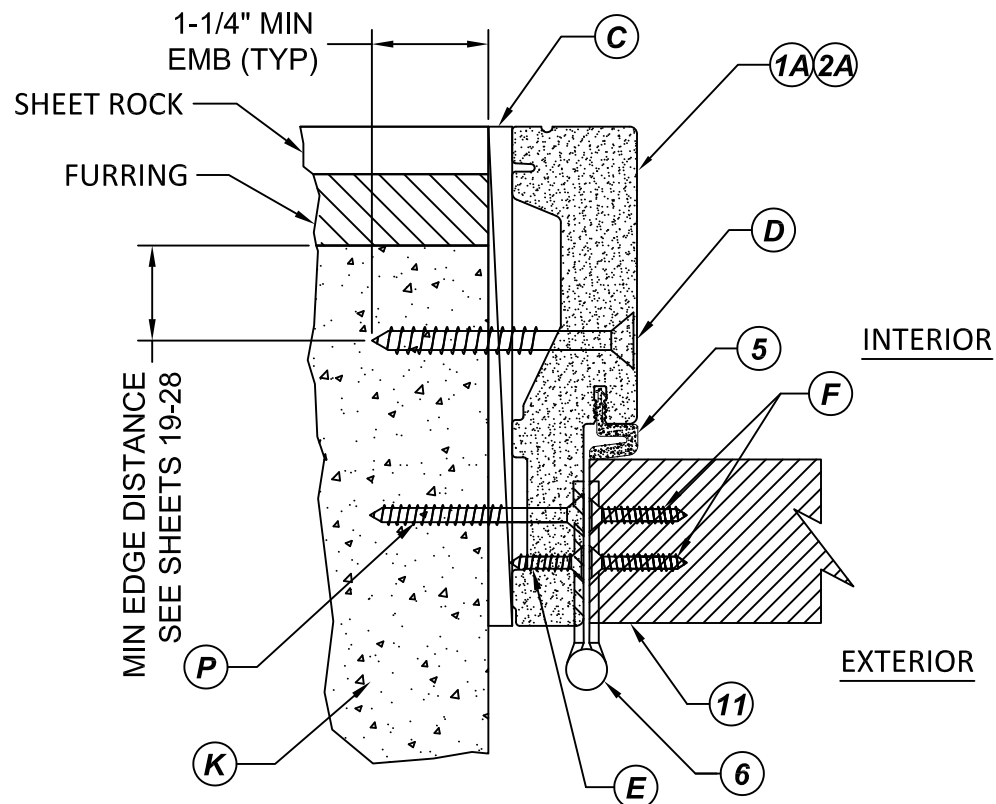


HERMES F. NORERO, P.E.  
FLORIDA P.E. No. 73778  
BUILDING DROPS, INC.  
1900 NE MIAMI CT. SUITE 2-15  
MIAMI, FL 33132  
FBPE CERT. OF AUTHORIZATION No. 29578

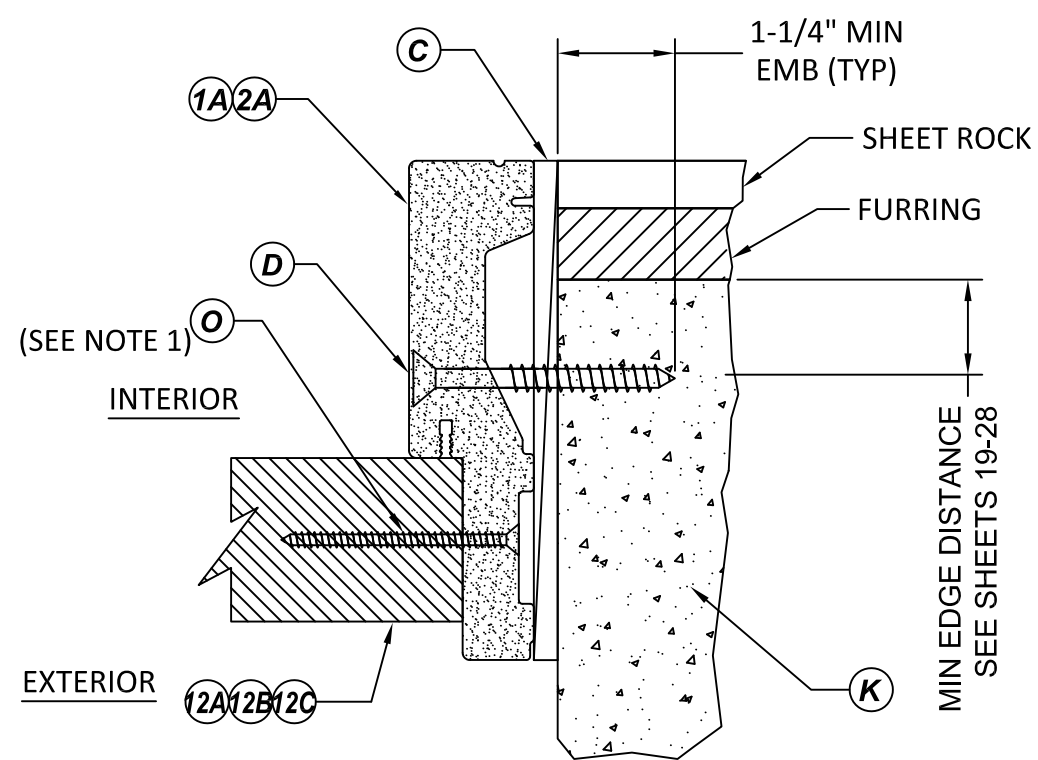
FL #:	<b>FL20867</b>
DATE:	<b>07.14.2016</b>
DWG. BY:	<b>LS</b>
CHK. BY:	<b>HFN</b>
SCALE:	<b>NTS</b>
DWG. #:	<b>TGI011</b>
SHEET:	<b>16</b>



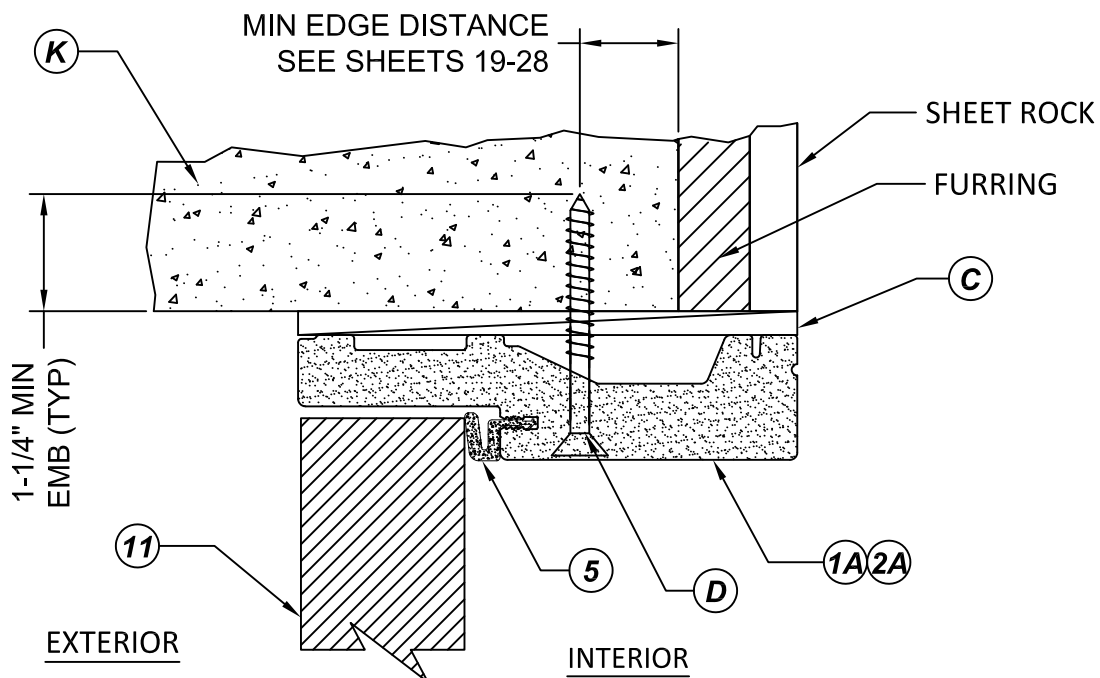
10/18/2023 11:40 AM



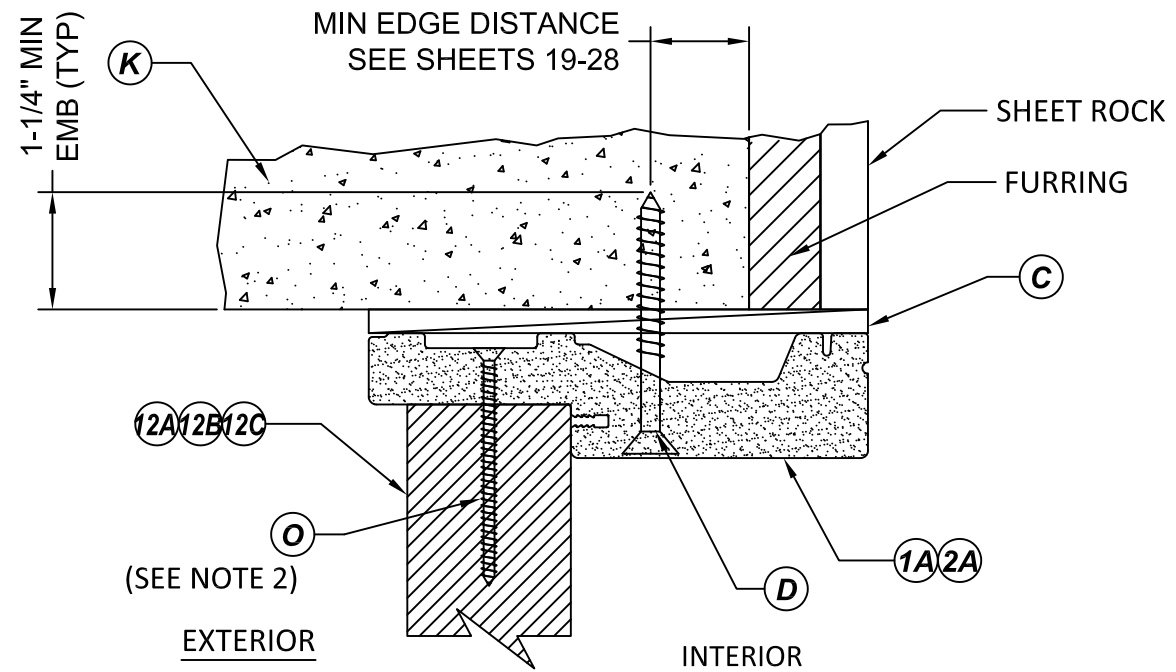
**1**  
**17** **HORIZONTAL CROSS SECTION**  
Direct to masonry (5-1/4" min jamb)  
Outswing shown - Inswing also approved



**2**  
**17** **HORIZONTAL CROSS SECTION**  
Direct to masonry (5-1/4" min jamb)  
Outswing shown - Inswing also approved



**3**  
**17** **VERTICAL CROSS SECTION**  
Direct to masonry (5-1/4" min jamb)  
Outswing shown - Inswing also approved



**4**  
**17** **VERTICAL CROSS SECTION**  
Direct to masonry (5-1/4" min jamb)  
Outswing shown - Inswing also approved

**NOTE:**

- SIDELITE SCREWS LOCATED 6" FROM EACH END OF JAMB AND 3 EQUALLY SPACED SCREWS FROM THE END SCREWS.
- SIDELITE SCREWS THRU HEADER AND SILL LOCATED AT CENTER OF EACH SIDELITE TOP AND BOTTOM RAILS.



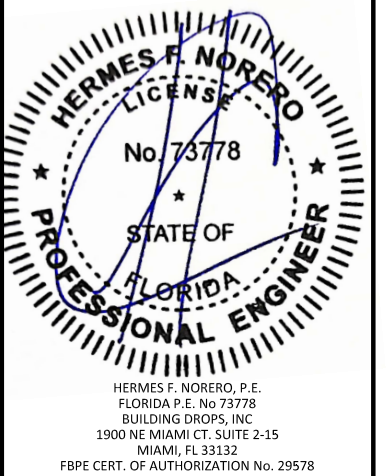
33615 1ST WAY S  
FEDERAL WAY, WA 98003  
PH: (253) 875-7300

TITLE: 6" GLAZED FIBERGLASS  
DOOR - INSWING/OUTSWING  
(HVHZ) (NON-IMPACT)  
HORIZONTAL & VERTICAL  
CROSS SECTIONS

PREPARED BY:  
**BUILDING DROPS, INC.**  
1900 NE MIAMI CT. SUITE 2-15  
MIAMI, FL 33132  
PH: (954) 399-8478  
FAX: (954) 744-4738  
WEB: www.buildingdrops.com

REMARKS	BY	DATE
2023 FBC UPDATE	MS	10/11/23

THE INSTALLATION DETAILS DESCRIBED HEREIN ARE GENERIC AND MAY NOT REFLECT ACTUAL CONDITIONS FOR A SPECIFIC SITE. IF SITE CONDITIONS CAUSE INSTALLATION TO DEVIATE FROM THE REQUIREMENTS DETAILED HEREIN, A LICENSED ENGINEER OR ARCHITECT SHALL PREPARE SITE SPECIFIC DOCUMENTS FOR USE WITH THIS DOCUMENT.

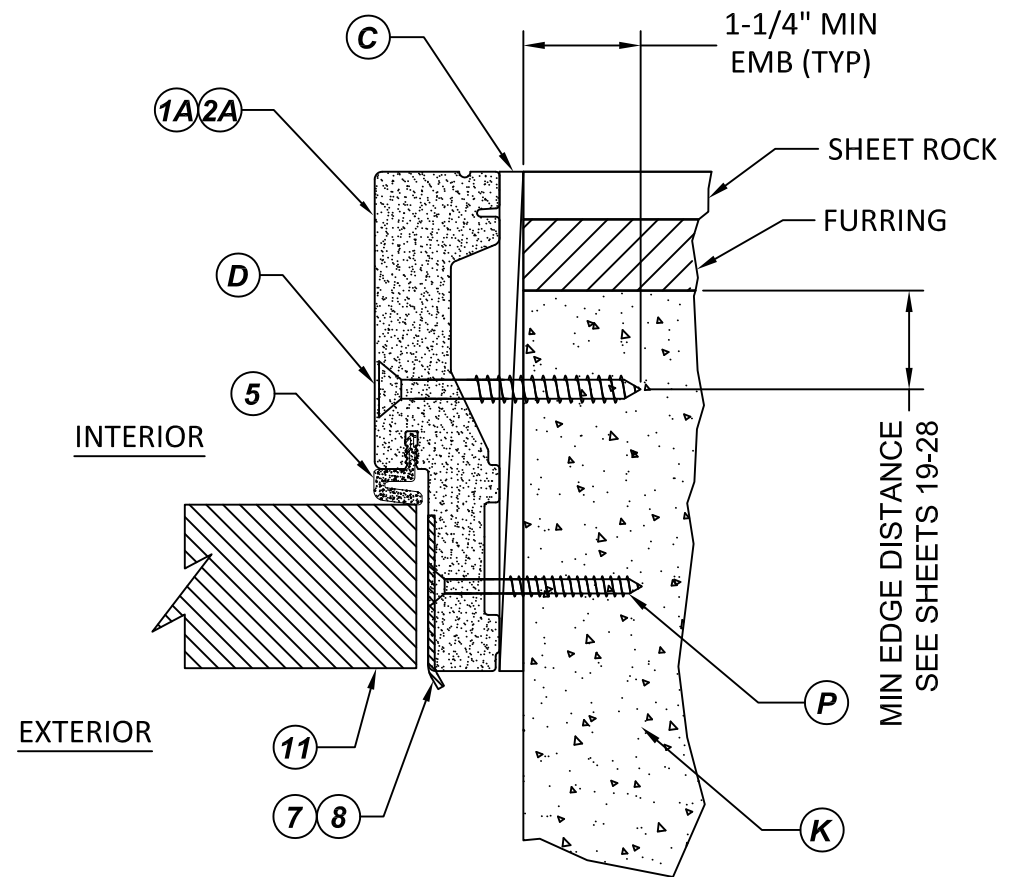


FL #:	<b>FL20867</b>
DATE:	<b>07.14.2016</b>
DWG. BY:	<b>LS</b>
CHK. BY:	<b>HFN</b>
SCALE:	<b>NTS</b>
DWG. #:	<b>TGI011</b>
SHEET:	<b>17</b>

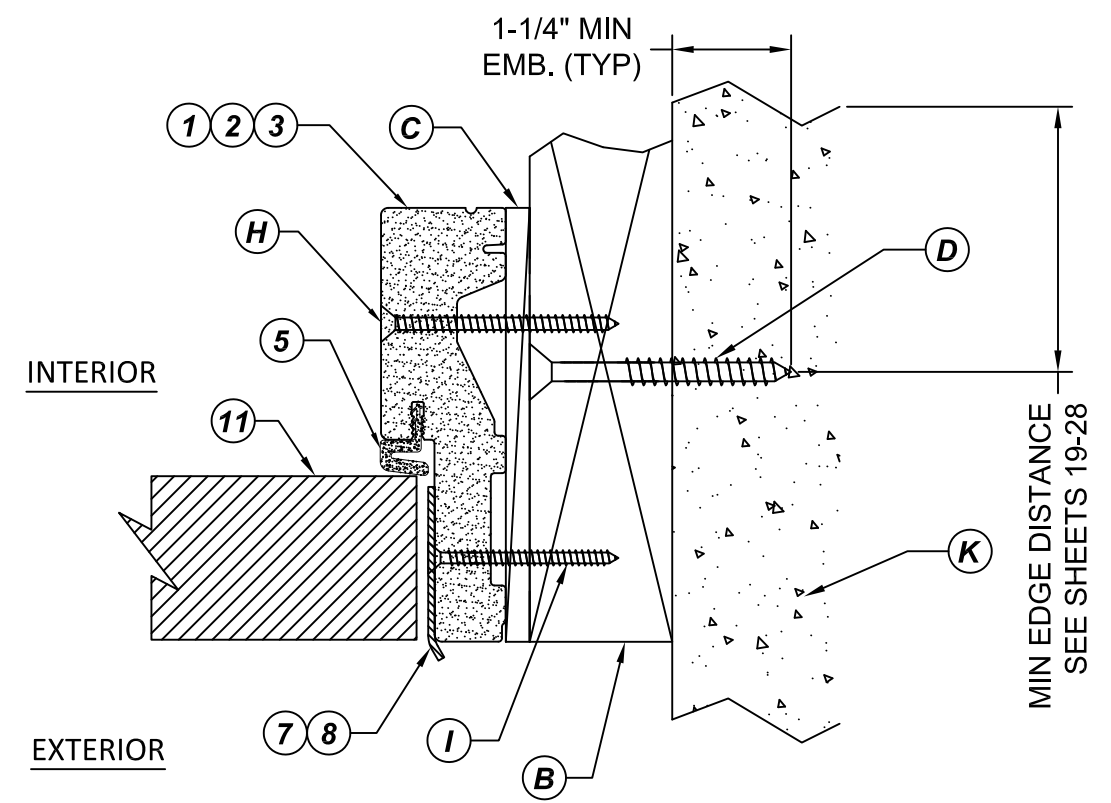
s:\projects\trinity\_glass\_international\cc-23-1006 - fbc submittal - 2023 code change\dws\tgi011.dwg

10/18/2023 11:40 AM

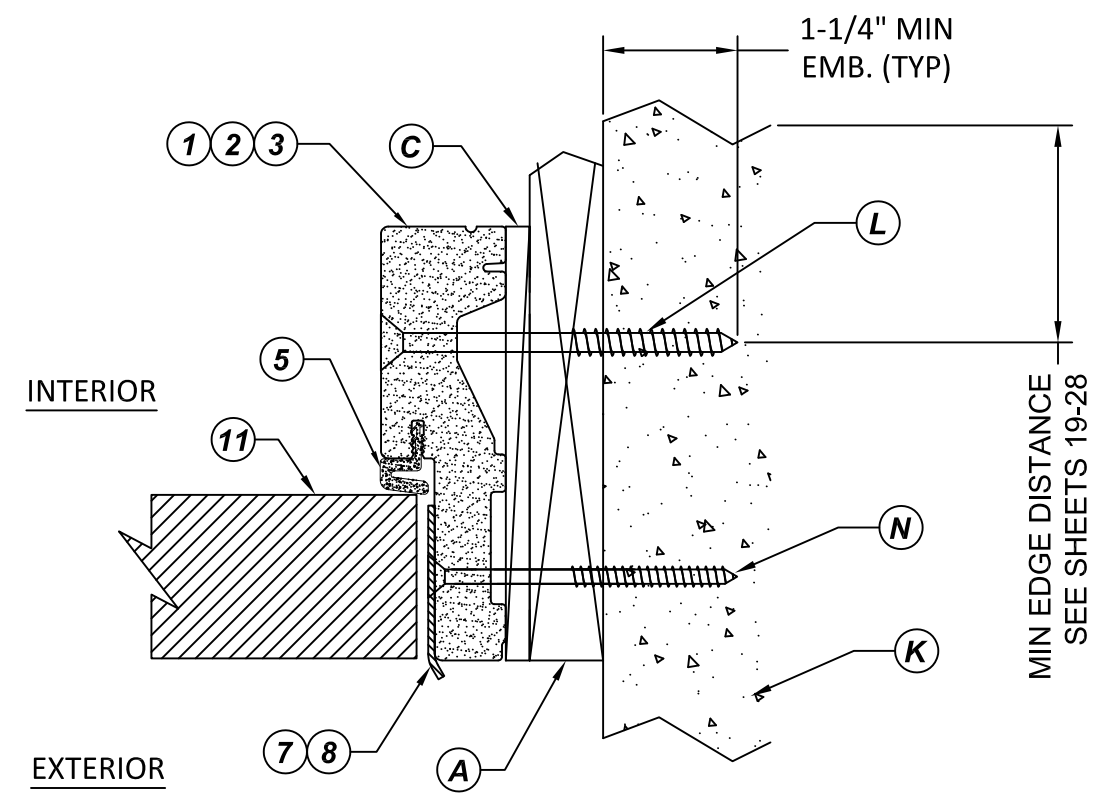
s:\projects\trinity\_glass\_international\cc-23-1006 - fbc-submittal - 2023 code change\dwg\tgi011.dwg



**1**  
**18** **HORIZONTAL CROSS SECTION**  
Direct to masonry (5-1/4" min jamb)  
Outswing shown - Inswing also approved



**2**  
**18** **HORIZONTAL CROSS SECTION**  
SHOWN W/ 2X WOOD BUCK  
Outswing shown - Inswing also approved



**3**  
**18** **HORIZONTAL CROSS SECTION**  
SHOWN W/ 1X WOOD BUCK  
Outswing shown - Inswing also approved



33615 1ST WAY S  
FEDERAL WAY, WA 98003  
PH: (253) 875-7300

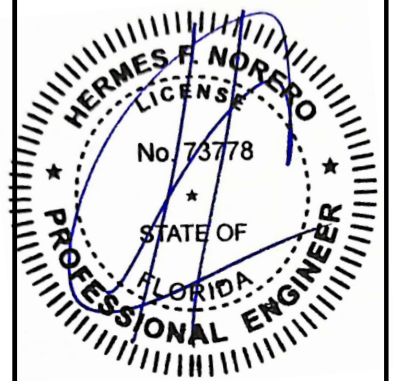
TITLE: 6'8" GLAZED FIBERGLASS  
DOOR - INSWING/OUTSWING  
(HVHZ) (NON-IMPACT)  
HORIZONTAL  
CROSS SECTIONS

PREPARED BY:  
**BUILDING DROPS, INC.**  
1900 NE MIAMI CT. SUITE 2-15  
MIAMI, FL 33132  
PH: (954) 399-8478  
FAX: (954) 744-4738  
WEB: www.buildingdrops.com



REMARKS	BY	DATE
2023 FBC UPDATE	MS	10/11/23

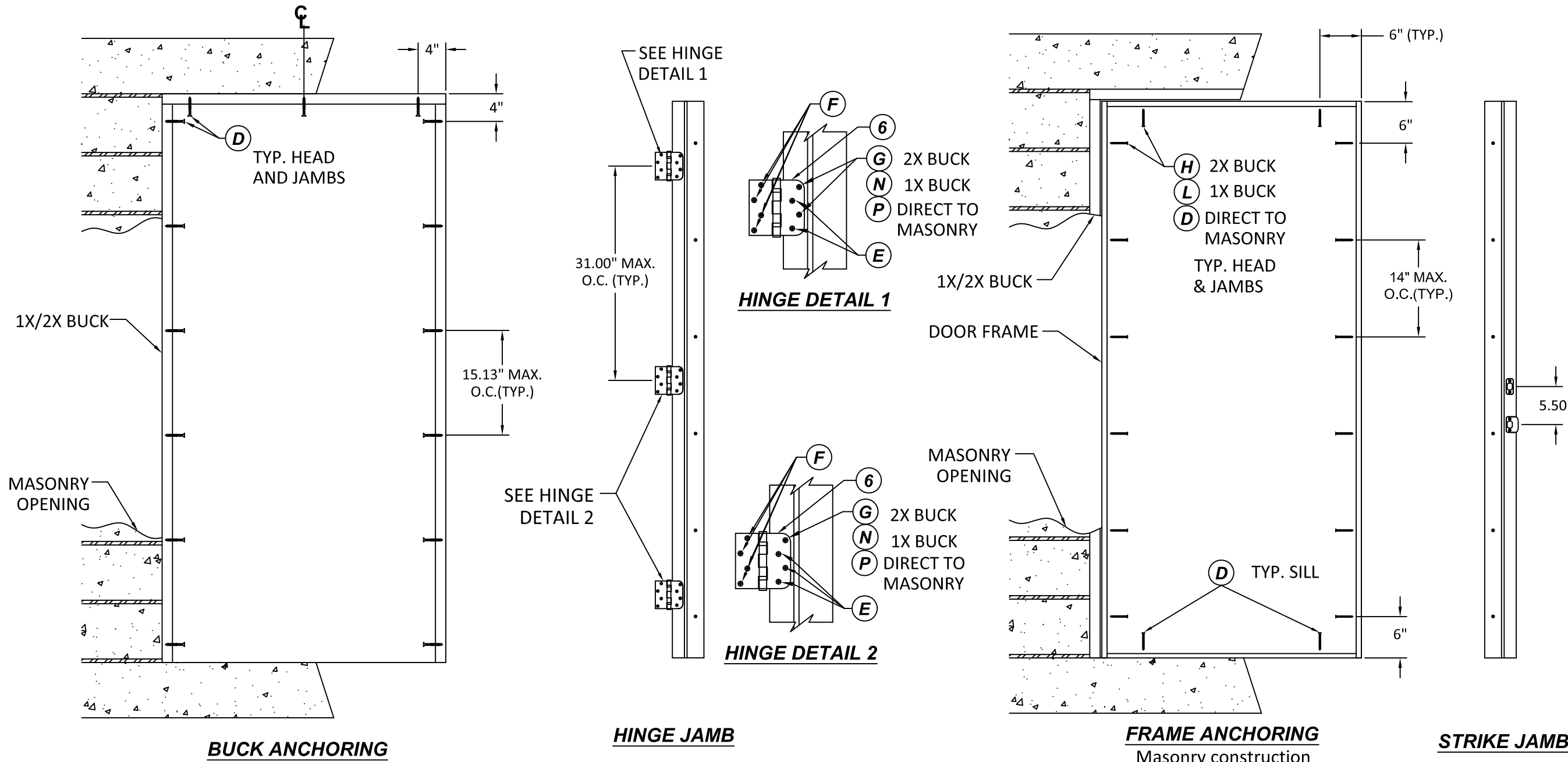
THE INSTALLATION DETAILS DESCRIBED HEREIN ARE GENERIC AND MAY NOT REFLECT ACTUAL CONDITIONS FOR A SPECIFIC SITE. IF SITE CONDITIONS CAUSE INSTALLATION TO DEVIATE FROM THE REQUIREMENTS DETAILED HEREIN, A LICENSED ENGINEER OR ARCHITECT SHALL PREPARE SITE SPECIFIC DOCUMENTS FOR USE WITH THIS DOCUMENT.



HERMES F. NORERO, P.E.  
FLORIDA P.E. No. 73778  
BUILDING DROPS, INC.  
1900 NE MIAMI CT. SUITE 2-15  
MIAMI, FL 33132  
FBPE CERT. OF AUTHORIZATION No. 29578

FL #:	<b>FL20867</b>
DATE:	<b>07.14.2016</b>
DWG. BY:	<b>LS</b>
CHK. BY:	<b>HFN</b>
SCALE:	<b>NTS</b>
DWG. #:	<b>TGI011</b>
SHEET:	<b>18</b>

10/18/2023 11:40 AM



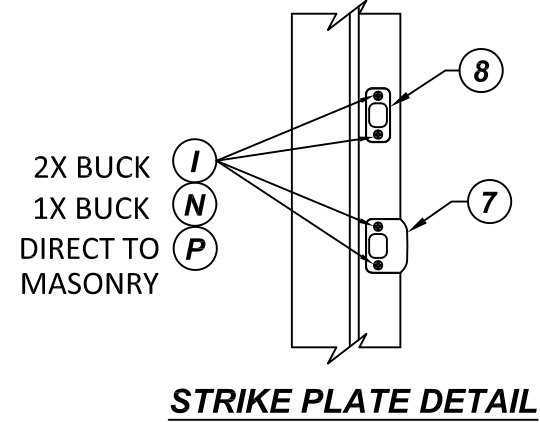
**CONCRETE ANCHOR NOTES:**

- Concrete anchor locations noted as "MAX ON CENTER" and at the corners must be adjusted to maintain min. edge distance to mortar joints. Additional concrete anchors may be required to ensure the "MAX ON CENTER" dimensions are not exceeded.
- Concrete anchor table:

ANCHOR TYPE	ANCHOR SIZE	MIN. EMBEDMENT	MIN. CLEARANCE TO MASONRY EDGE	MIN CLEARANCE TO ADJUSTMENT ANCHOR
ITW BUILDDEX TAPCON®	1/4"	1-1/4"	2"	4"
DEWALT ULTRACON+®	1/4"	1-1/4"	1"	4"
ITW BUILDDEX TAPCON®	3/16"	1-1/4"	3"	1-1/2"

**WOOD SCREW INSTALLATION NOTES:**

- Maintain a min. 5/8" edge distance, & 1" o.c. spacing of wood screws to prevent splitting of wood.



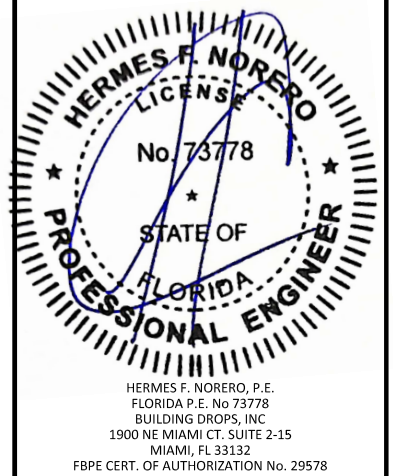
33615 1ST WAY S  
 FEDERAL WAY, WA 98003  
 PH: (253) 875-7300

**TITLE:** 6'8" GLAZED FIBERGLASS DOOR - INSWING/OUTSWING (HVHZ) (NON-IMPACT) BUCK & FRAME ANCHORING

**PREPARED BY:** BUILDING DROPS, INC.  
 1900 NE MIAMI CT. SUITE 2-15  
 MIAMI, FL 33132  
 PH: (954) 399-8478  
 FAX: (954) 744-4738  
 WEB: www.buildingdrops.com

REMARKS	BY	DATE
2023 FBC UPDATE	MS	10/11/23

THE INSTALLATION DETAILS DESCRIBED HEREIN ARE GENERIC AND MAY NOT REFLECT ACTUAL CONDITIONS FOR A SPECIFIC SITE. IF SITE CONDITIONS CAUSE INSTALLATION TO DEVIATE FROM THE REQUIREMENTS DETAILED HEREIN, A LICENSED ENGINEER OR ARCHITECT SHALL PREPARE SITE SPECIFIC DOCUMENTS FOR USE WITH THIS DOCUMENT.



FL #: **FL20867**

DATE: **07.14.2016**

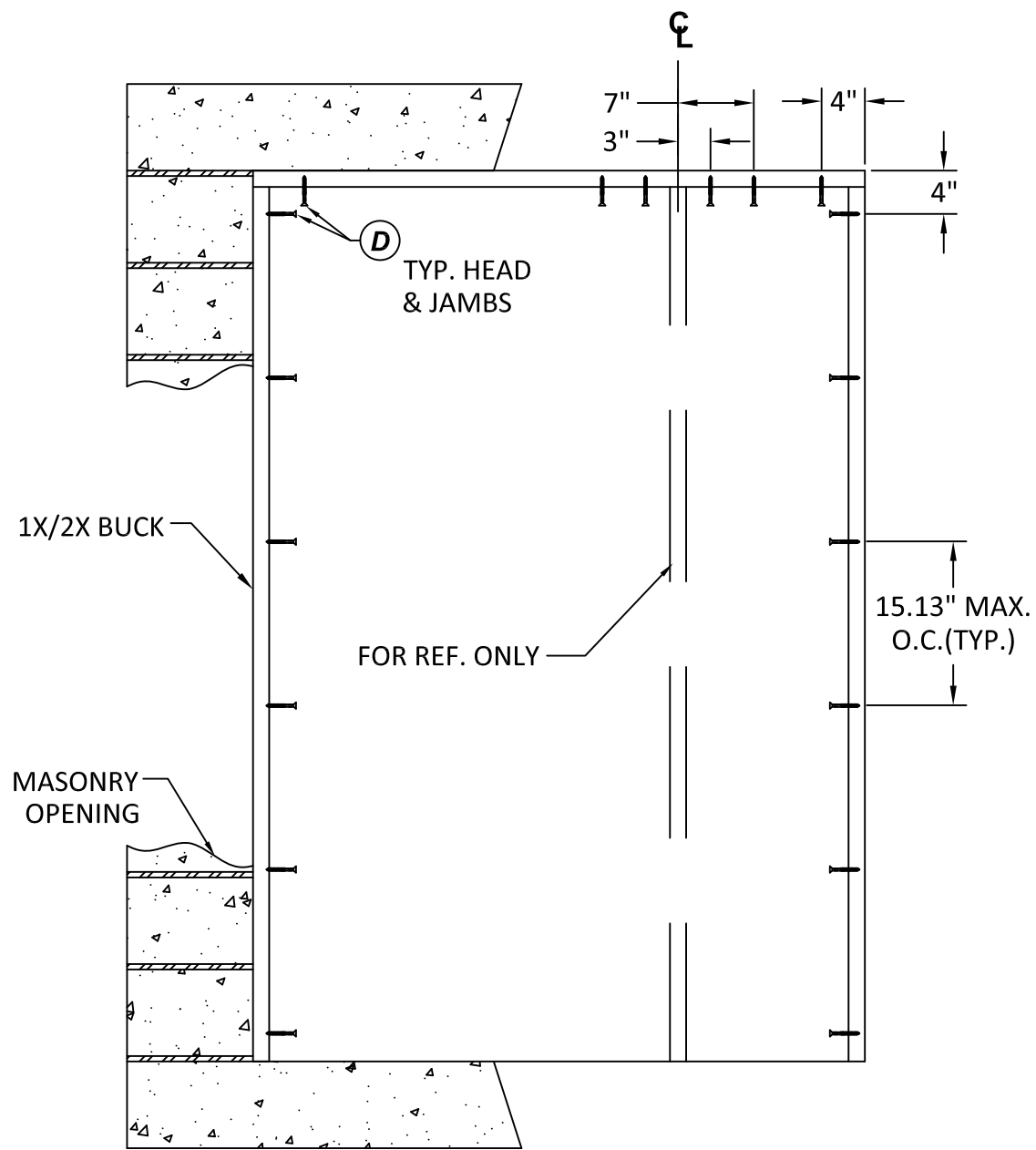
DWG. BY: **LS**      CHK. BY: **HFN**

SCALE: **NTS**

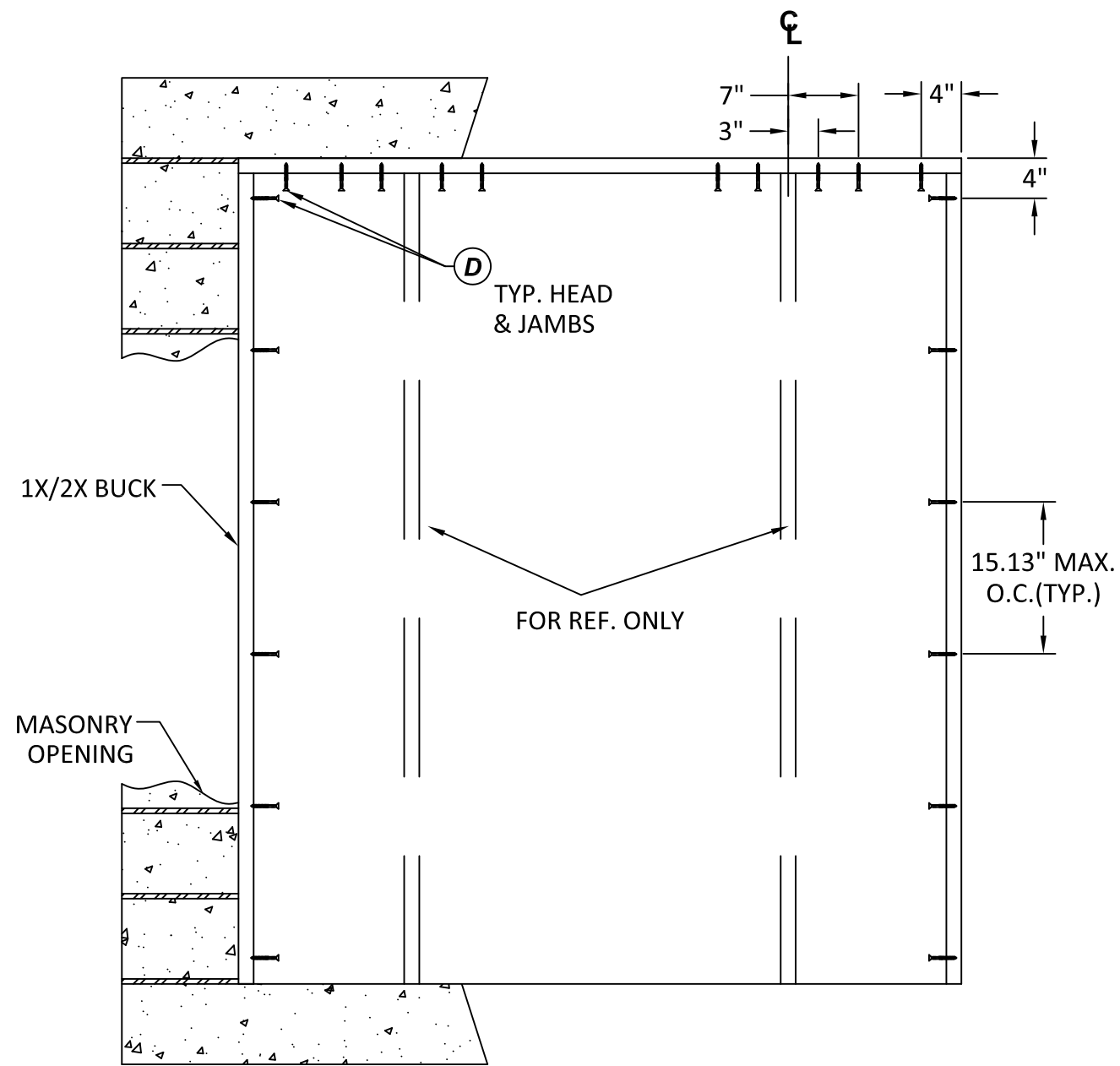
DWG. #: **TGI011**

SHEET: **19**

10/18/2023 11:40 AM



**BUCK ANCHORING**



**BUCK ANCHORING**

**CONCRETE ANCHOR NOTES:**

1. Concrete anchor locations noted as "MAX ON CENTER" and at the corners must be adjusted to maintain min. edge distance to mortar joints. Additional concrete anchors may be required to ensure the "MAX ON CENTER" dimensions are not exceeded.
2. Concrete anchor table:

ANCHOR TYPE	ANCHOR SIZE	MIN. EMBEDMENT	MIN. CLEARANCE TO MASONRY EDGE	MIN CLEARANCE TO ADJUSTMENT ANCHOR
ITW BUILDEX TAPCON®	1/4"	1-1/4"	2"	4"
DEWALT ULTRACON+®	1/4"	1-1/4"	1"	4"
ITW BUILDEX TAPCON®	3/16"	1-1/4"	3"	1-1/2"

**WOOD SCREW INSTALLATION NOTES:**

1. Maintain a min. 5/8" edge distance, & 1" o.c. spacing of wood screws to prevent splitting of wood.



33615 1ST WAY S  
FEDERAL WAY, WA 98003  
PH: (253) 875-7300

TITLE: 6'8" GLAZED FIBERGLASS  
DOOR - INSWING/OUTSWING  
(HVHZ) (NON-IMPACT)

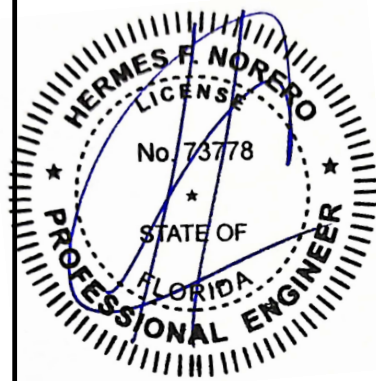
BUCK ANCHORING

PREPARED BY:  
**BUILDING DROPS, INC.**  
1900 NE MIAMI CT. SUITE 2-15  
MIAMI, FL 33132  
PH: (954) 399-8478  
FAX: (954) 744-4738  
WEB: www.buildingdrops.com



REMARKS	BY	DATE
2023 FBC UPDATE	MS	10/11/23

THE INSTALLATION DETAILS DESCRIBED HEREIN ARE GENERIC AND MAY NOT REFLECT ACTUAL CONDITIONS FOR A SPECIFIC SITE. IF SITE CONDITIONS CAUSE INSTALLATION TO DEVIATE FROM THE REQUIREMENTS DETAILED HEREIN, A LICENSED ENGINEER OR ARCHITECT SHALL PREPARE SITE SPECIFIC DOCUMENTS FOR USE WITH THIS DOCUMENT.



HERMES F. NORERO, P.E.  
FLORIDA P.E. No. 73778  
BUILDING DROPS, INC.  
1900 NE MIAMI CT. SUITE 2-15  
MIAMI, FL 33132  
FBPE CERT. OF AUTHORIZATION No. 29578

FL #:	<b>FL20867</b>
DATE:	<b>07.14.2016</b>
DWG. BY:	<b>LS</b>
CHK. BY:	<b>HFN</b>
SCALE:	<b>NTS</b>
DWG. #:	<b>TGI011</b>
SHEET:	<b>20</b>

s:\projects\trinity\_glass\_international\cc-23-1006 - fbc submittal - 2023 code change\dwg\tgi011.dwg

10/18/2023 11:40 AM

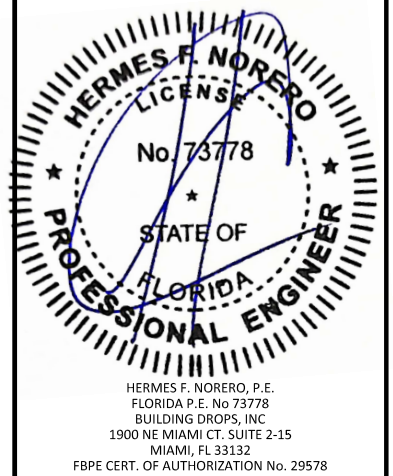
33615 1ST WAY S  
FEDERAL WAY, WA 98003  
PH: (253) 875-7300

TITLE: 6'8" GLAZED FIBERGLASS  
DOOR - INSWING/OUTSWING  
(HVHZ) (NON-IMPACT)  
**FRAME ANCHORING**

PREPARED BY:  
**BUILDING DROPS, INC.**  
1900 NE MIAMI CT. SUITE 2-15  
MIAMI, FL 33132  
PH: (954) 399-8478  
FAX: (954) 744-4738  
WEB: www.buildingdrops.com

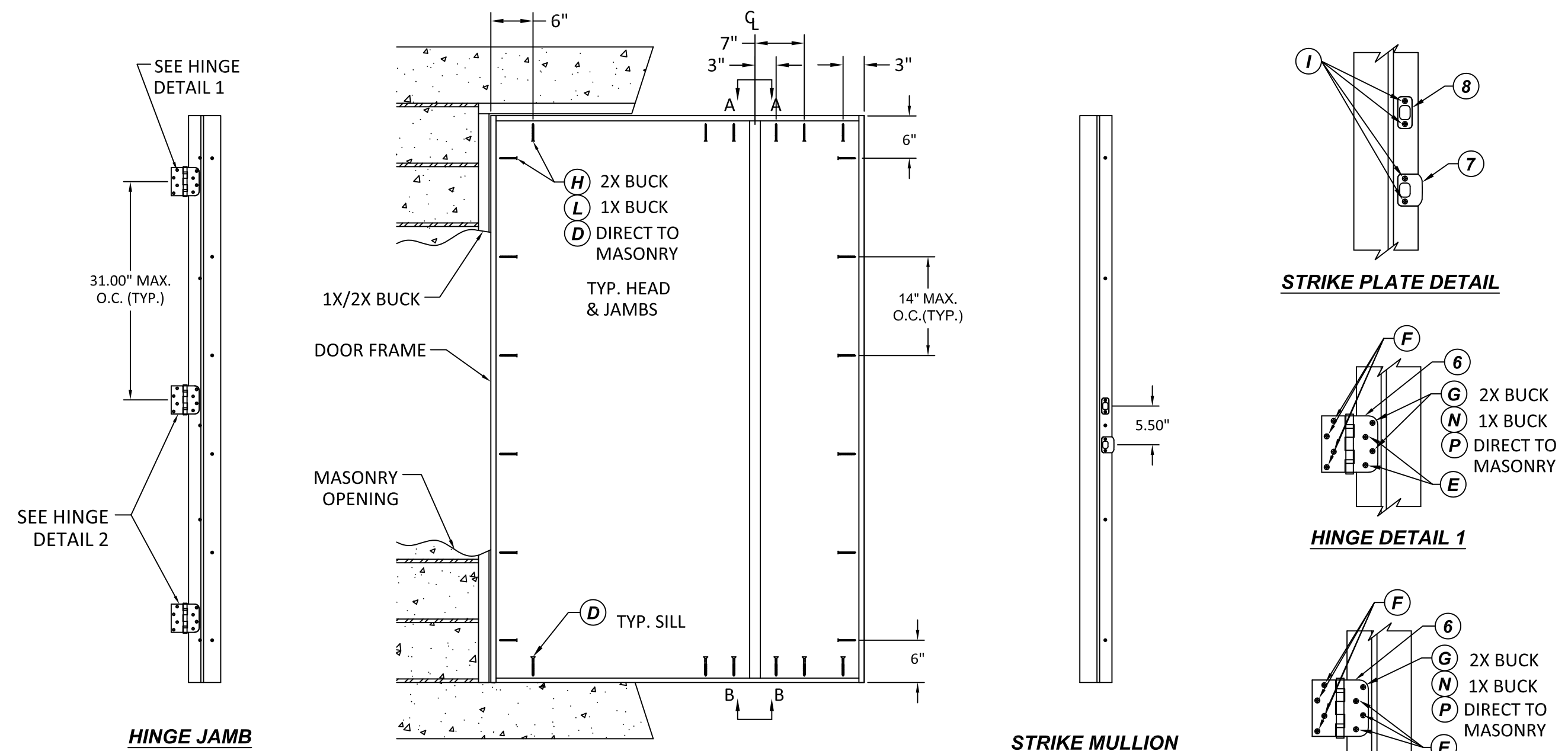
REMARKS	BY	DATE
2023 FBC UPDATE	MS	10/11/23

THE INSTALLATION DETAILS DESCRIBED HEREIN ARE GENERIC AND MAY NOT REFLECT ACTUAL CONDITIONS FOR A SPECIFIC SITE. IF SITE CONDITIONS CAUSE INSTALLATION TO DEVIATE FROM THE REQUIREMENTS DETAILED HEREIN, A LICENSED ENGINEER OR ARCHITECT SHALL PREPARE SITE SPECIFIC DOCUMENTS FOR USE WITH THIS DOCUMENT.



HERMES F. NORERO, P.E.  
FLORIDA P.E. No. 73778  
BUILDING DROPS, INC.  
1900 NE MIAMI CT. SUITE 2-15  
MIAMI, FL 33132  
FBPE CERT. OF AUTHORIZATION No. 29578

FL #:	<b>FL20867</b>
DATE:	<b>07.14.2016</b>
DWG. BY:	<b>LS</b>
CHK. BY:	<b>HFN</b>
SCALE:	<b>NTS</b>
DWG. #:	<b>TGI011</b>
SHEET:	<b>21</b>



**FRAME ANCHORING**  
Masonry construction

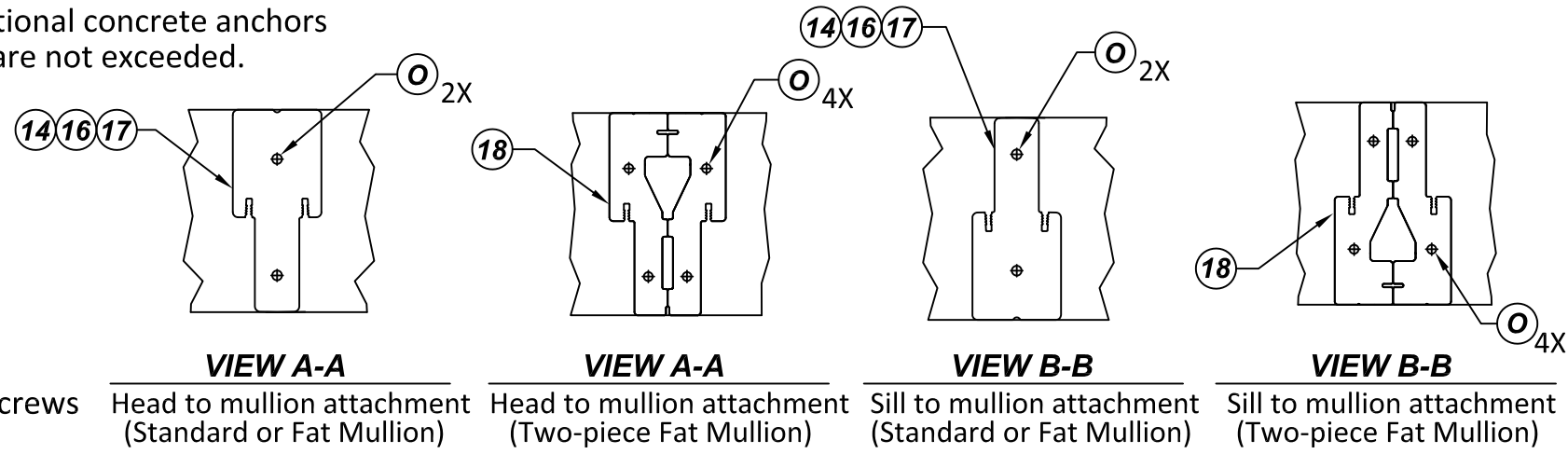
**CONCRETE ANCHOR NOTES:**

- Concrete anchor locations noted as "MAX ON CENTER" and at the corners must be adjusted to maintain min. edge distance to mortar joints. Additional concrete anchors may be required to ensure the "MAX ON CENTER" dimensions are not exceeded.

ANCHOR TYPE	ANCHOR SIZE	MIN. EMBEDMENT	MIN. CLEARANCE TO MASONRY EDGE	MIN CLEARANCE TO ADJUSTMENT ANCHOR
ITW BUILDDEX TAPCON®	1/4"	1-1/4"	2"	4"
DEWALT ULTRACON+®	1/4"	1-1/4"	1"	4"
ITW BUILDDEX TAPCON®	3/16"	1-1/4"	3"	1-1/2"

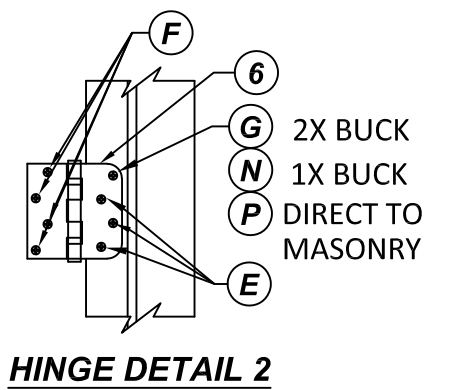
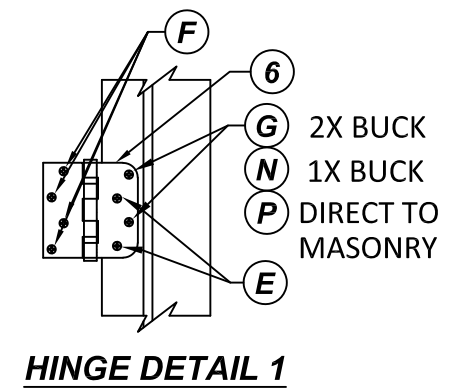
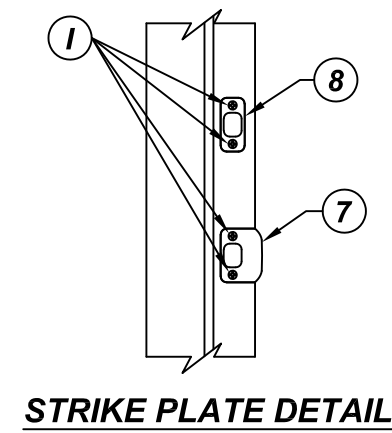
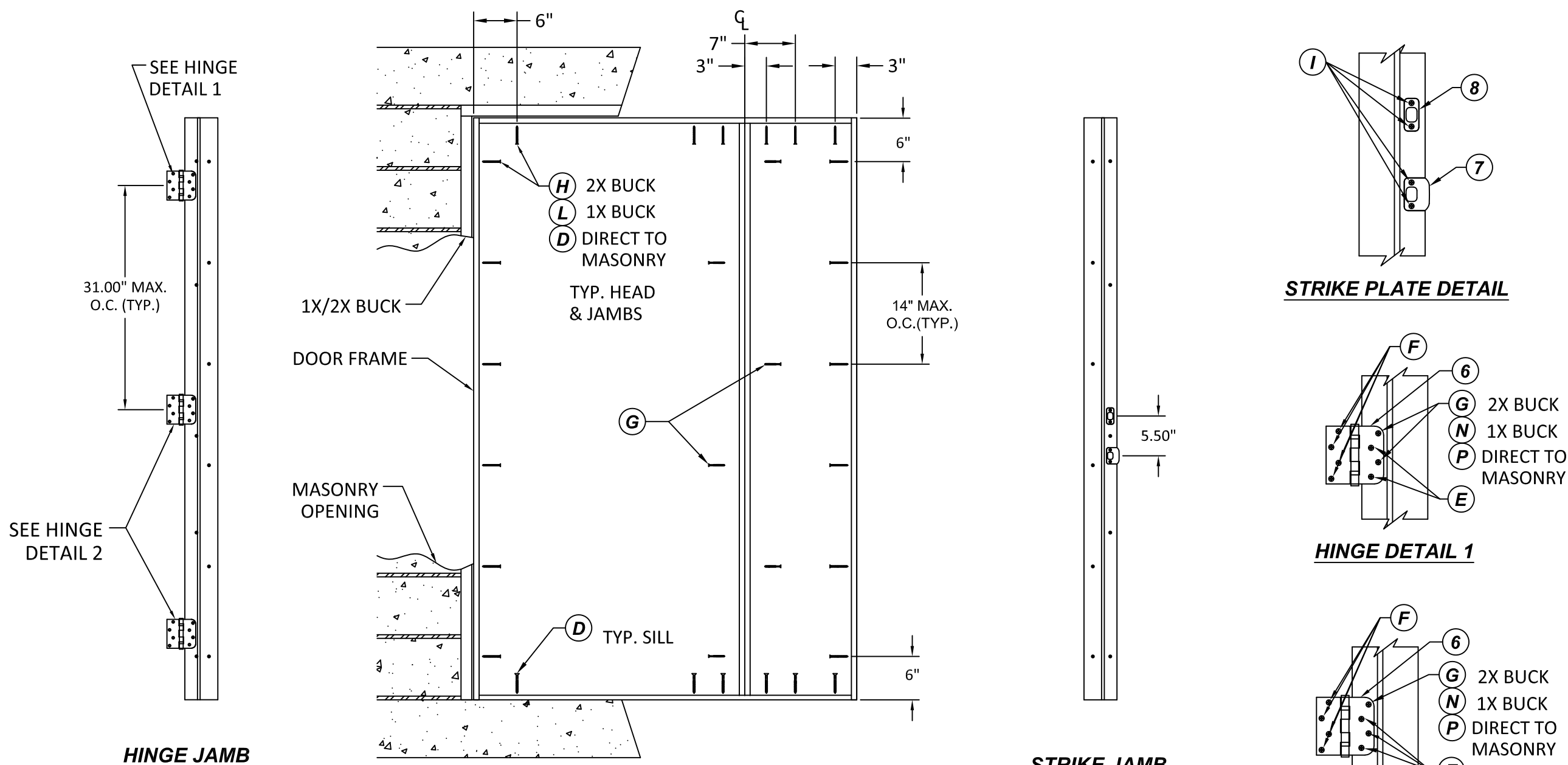
**WOOD SCREW INSTALLATION NOTES:**

- Maintain a min. 5/8" edge distance, & 1" o.c. spacing of wood screws to prevent splitting of wood.



s:\projects\trinity\_glass\_international\cc-23-1006 - fbc submittal - 2023 code change\dwg\tgi011.dwg

10/18/2023 11:41 AM



**CONCRETE ANCHOR NOTES:**

- Concrete anchor locations noted as "MAX ON CENTER" and at the corners must be adjusted to maintain min. edge distance to mortar joints. Additional concrete anchors may be required to ensure the "MAX ON CENTER" dimensions are not exceeded.

ANCHOR TYPE	ANCHOR SIZE	MIN. EMBEDMENT	MIN. CLEARANCE TO MASONRY EDGE	MIN CLEARANCE TO ADJUSTMENT ANCHOR
ITW BUILDEX TAPCON®	1/4"	1-1/4"	2"	4"
DEWALT ULTRACON+®	1/4"	1-1/4"	1"	4"
ITW BUILDEX TAPCON®	3/16"	1-1/4"	3"	1-1/2"

**WOOD SCREW INSTALLATION NOTES:**

- Maintain a min. 5/8" edge distance, & 1" o.c. spacing of wood screws to prevent splitting of wood.



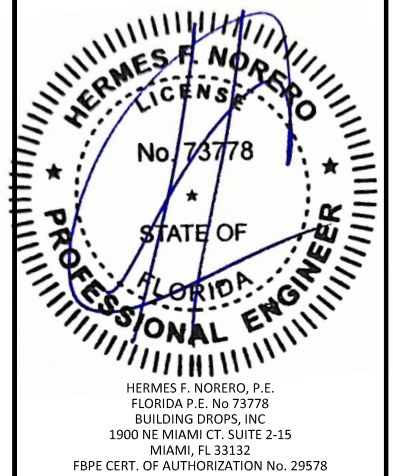
33615 1ST WAY S  
 FEDERAL WAY, WA 98003  
 PH: (253) 875-7300

**TITLE:** 6'8" GLAZED FIBERGLASS DOOR - INSWING/OUTSWING (HVHZ) (NON-IMPACT) **FRAME ANCHORING**

**PREPARED BY:** BUILDING DROPS, INC.  
 1900 NE MIAMI CT. SUITE 2-15  
 MIAMI, FL 33132  
 PH: (954) 399-8478  
 FAX: (954) 744-4738  
 WEB: www.buildingdrops.com

REMARKS	BY	DATE
2023 FBC UPDATE	MS	10/11/23

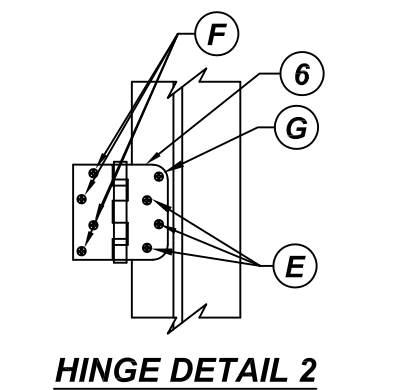
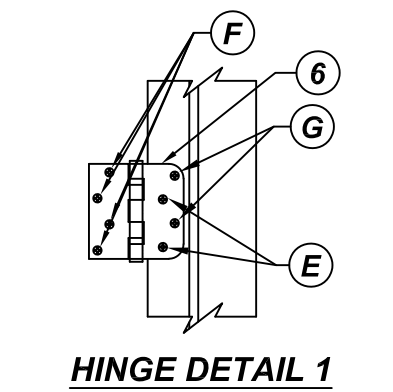
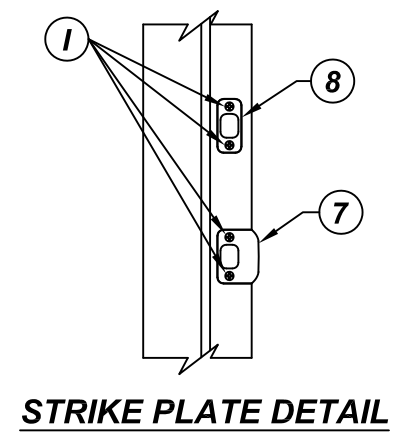
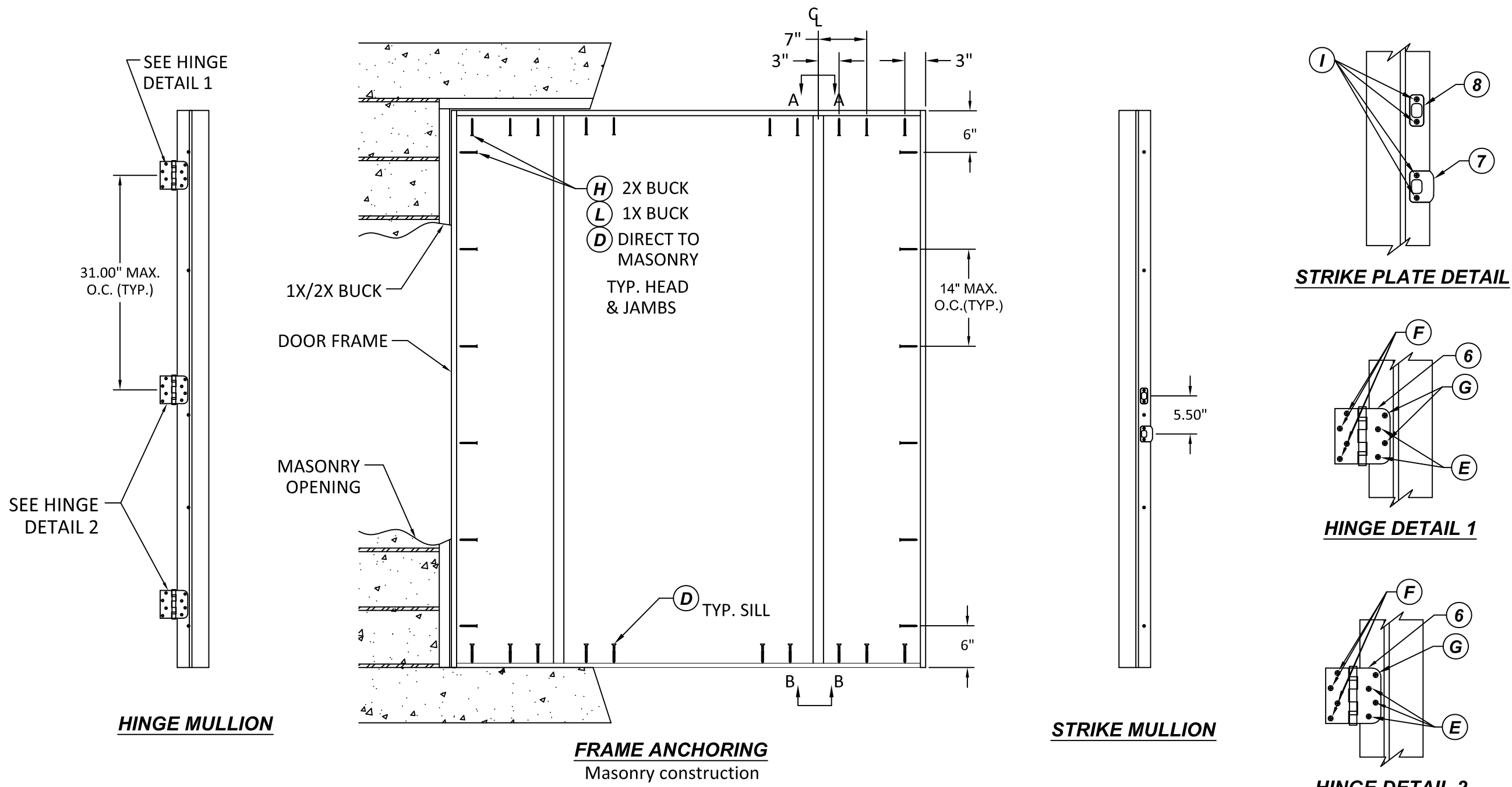
THE INSTALLATION DETAILS DESCRIBED HEREIN ARE GENERIC AND MAY NOT REFLECT ACTUAL CONDITIONS FOR A SPECIFIC SITE. IF SITE CONDITIONS CAUSE INSTALLATION TO DEVIATE FROM THE REQUIREMENTS DETAILED HEREIN, A LICENSED ENGINEER OR ARCHITECT SHALL PREPARE SITE SPECIFIC DOCUMENTS FOR USE WITH THIS DOCUMENT.



FL #:	<b>FL20867</b>
DATE:	<b>07.14.2016</b>
DWG. BY:	<b>LS</b>
CHK. BY:	<b>HFN</b>
SCALE:	<b>NTS</b>
DWG. #:	<b>TGI011</b>
SHEET:	<b>22</b>

s:\projects\trinity\_glass\_international\cc-23-1006 - fbc-submittal - 2023 code change\dwg\tgi011.dwg

10/18/2023 11:41 AM



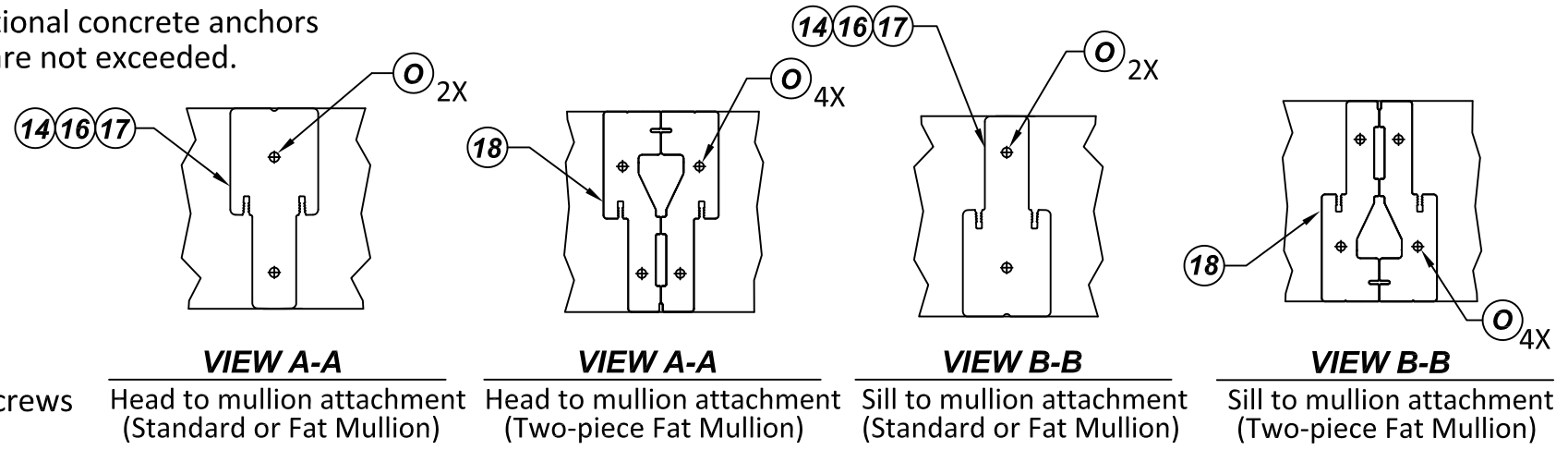
**CONCRETE ANCHOR NOTES:**

- Concrete anchor locations noted as "MAX ON CENTER" and at the corners must be adjusted to maintain min. edge distance to mortar joints. Additional concrete anchors may be required to ensure the "MAX ON CENTER" dimensions are not exceeded.

ANCHOR TYPE	ANCHOR SIZE	MIN. EMBEDMENT	MIN. CLEARANCE TO MASONRY EDGE	MIN CLEARANCE TO ADJUSTMENT ANCHOR
ITW BUILDEX TAPCON®	1/4"	1-1/4"	2"	4"
DEWALT ULTRACON+®	1/4"	1-1/4"	1"	4"
ITW BUILDEX TAPCON®	3/16"	1-1/4"	3"	1-1/2"

**WOOD SCREW INSTALLATION NOTES:**

- Maintain a min. 5/8" edge distance, & 1" o.c. spacing of wood screws to prevent splitting of wood.



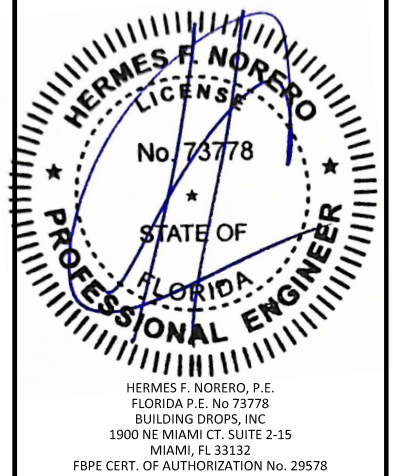
33615 1ST WAY S  
FEDERAL WAY, WA 98003  
PH: (253) 875-7300

TITLE: 6'8" GLAZED FIBERGLASS  
DOOR - INSWING/OUTSWING  
(HVHZ) (NON-IMPACT)  
FRAME ANCHORING

PREPARED BY:  
BUILDING DROPS, INC.  
1900 NE MIAMI CT. SUITE 2-15  
MIAMI, FL 33132  
PH: (954) 399-8478  
FAX: (954) 744-4738  
WEB: www.buildingdrops.com

REMARKS	BY	DATE
2023 FBC UPDATE	MS	10/11/23

THE INSTALLATION DETAILS DESCRIBED HEREIN ARE GENERIC AND MAY NOT REFLECT ACTUAL CONDITIONS FOR A SPECIFIC SITE. IF SITE CONDITIONS CAUSE INSTALLATION TO DEVIATE FROM THE REQUIREMENTS DETAILED HEREIN, A LICENSED ENGINEER OR ARCHITECT SHALL PREPARE SITE SPECIFIC DOCUMENTS FOR USE WITH THIS DOCUMENT.



FL #: **FL20867**

DATE: **07.14.2016**

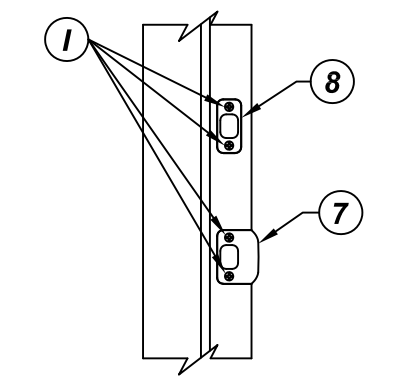
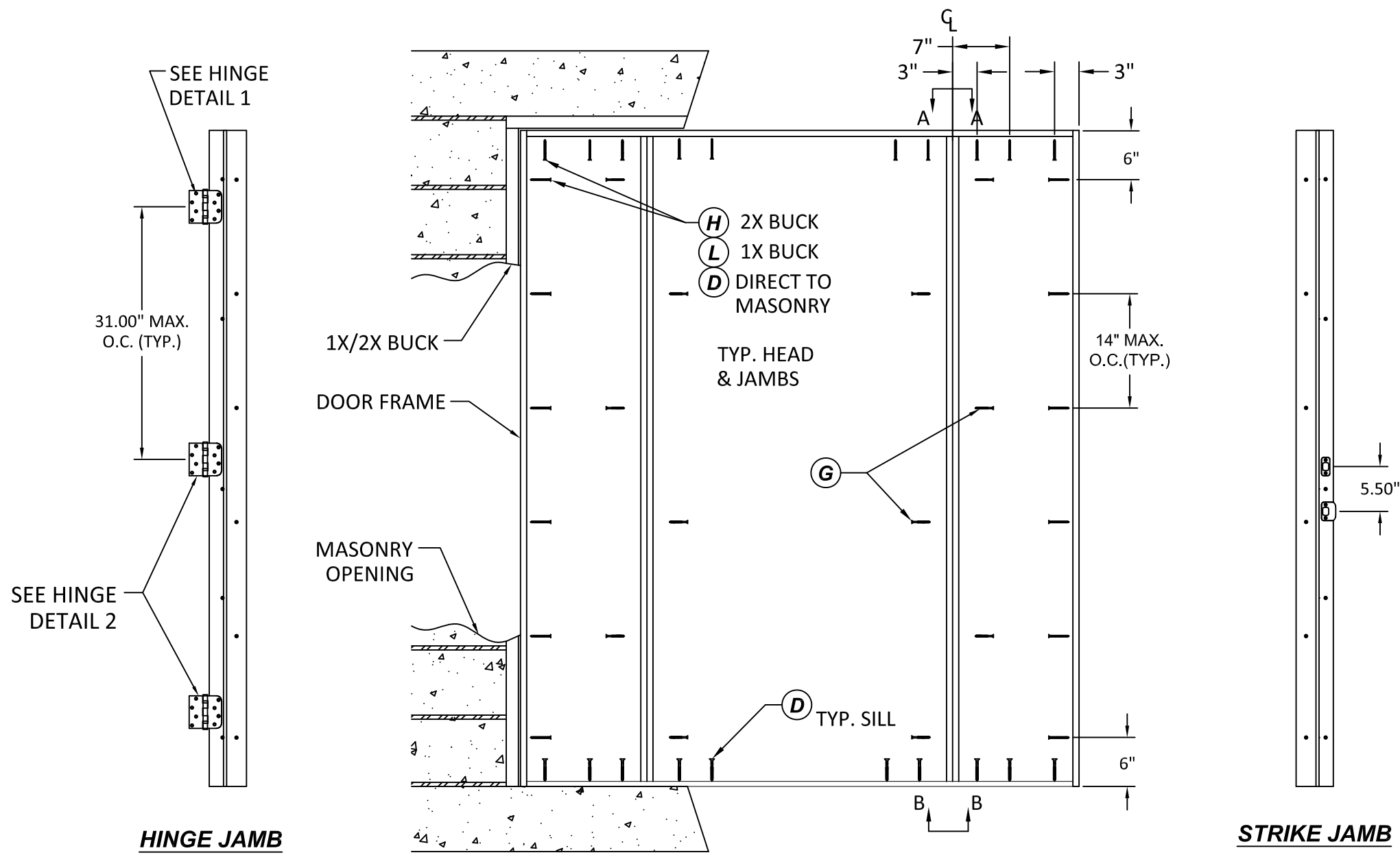
DWG. BY: **LS**      CHK. BY: **HFN**

SCALE: **NTS**

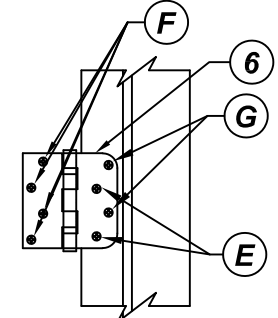
DWG. #: **TGI011**

SHEET: **23**

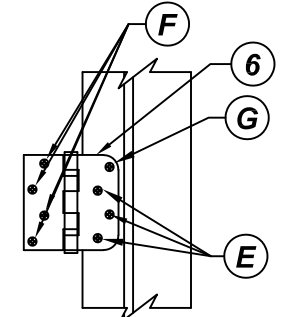
10/18/2023 11:41 AM



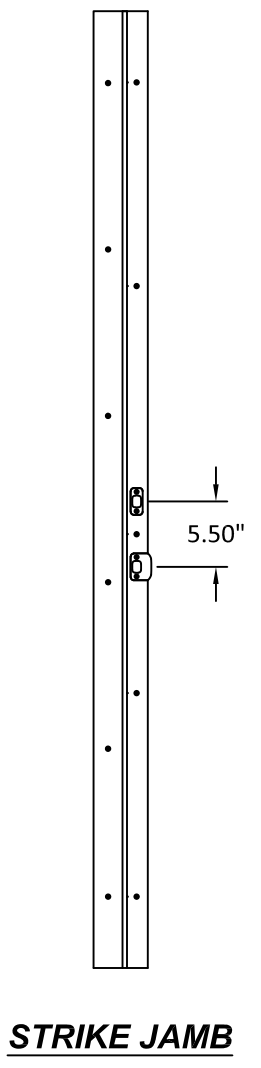
**STRIKE PLATE DETAIL**



**HINGE DETAIL 1**



**HINGE DETAIL 2**



**STRIKE JAMB**

**FRAME ANCHORING**  
Masonry construction

**CONCRETE ANCHOR NOTES:**

1. Concrete anchor locations noted as "MAX ON CENTER" and at the corners must be adjusted to maintain min. edge distance to mortar joints. Additional concrete anchors may be required to ensure the "MAX ON CENTER" dimensions are not exceeded.

ANCHOR TYPE	ANCHOR SIZE	MIN. EMBEDMENT	MIN. CLEARANCE TO MASONRY EDGE	MIN CLEARANCE TO ADJUSTMENT ANCHOR
ITW BUILDEX TAPCON®	1/4"	1-1/4"	2"	4"
DEWALT ULTRACON+®	1/4"	1-1/4"	1"	4"
ITW BUILDEX TAPCON®	3/16"	1-1/4"	3"	1-1/2"

**WOOD SCREW INSTALLATION NOTES:**

1. Maintain a min. 5/8" edge distance, & 1" o.c. spacing of wood screws to prevent splitting of wood.



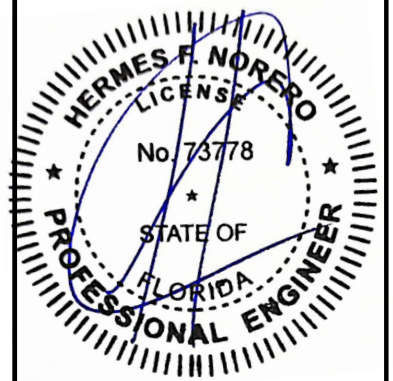
33615 1ST WAY S  
FEDERAL WAY, WA 98003  
PH: (253) 875-7300

TITLE: 6'8" GLAZED FIBERGLASS  
DOOR - INSWING/OUTSWING  
(HVHZ) (NON-IMPACT)  
FRAME ANCHORING

PREPARED BY:  
**BUILDING DROPS, INC.**  
1900 NE MIAMI CT. SUITE 2-15  
MIAMI, FL 33132  
PH: (954) 399-8478  
FAX: (954) 744-4738  
WEB: www.buildingdrops.com

REMARKS	BY	DATE
2023 FBC UPDATE	MS	10/11/23

THE INSTALLATION DETAILS DESCRIBED HEREIN ARE GENERIC AND MAY NOT REFLECT ACTUAL CONDITIONS FOR A SPECIFIC SITE. IF SITE CONDITIONS CAUSE INSTALLATION TO DEVIATE FROM THE REQUIREMENTS DETAILED HEREIN, A LICENSED ENGINEER OR ARCHITECT SHALL PREPARE SITE SPECIFIC DOCUMENTS FOR USE WITH THIS DOCUMENT.



HERMES F. NORERO, P.E.  
FLORIDA P.E. No. 73778  
BUILDING DROPS, INC.  
1900 NE MIAMI CT. SUITE 2-15  
MIAMI, FL 33132  
FBPE CERT. OF AUTHORIZATION No. 29578

FL #: **FL20867**

DATE: **07.14.2016**

DWG. BY: **LS**      CHK. BY: **HFN**

SCALE: **NTS**

DWG. #: **TGI011**

SHEET:  
**24**

s:\projects\trinity\_glass\_international\cc-23-1006 - fbc submittal - 2023 code change\dwg\tgi011.dwg



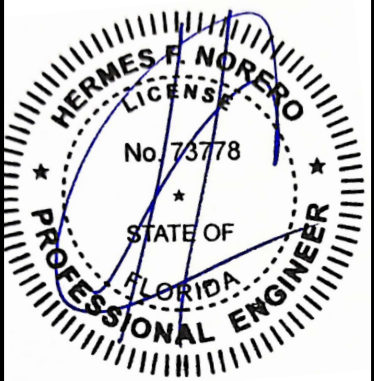
TITLE: 6'8" GLAZED FIBERGLASS  
DOOR - INSWING/OUTSWING  
(HVHZ) (NON-IMPACT)  
**BUCK ANCHORING**

PREPARED BY:  
**BUILDING DROPS, INC.**  
1900 NE MIAMI CT. SUITE 2-15  
MIAMI, FL 33132  
PH: (954) 399-8478  
FAX: (954) 744-4738  
WEB: www.buildingdrops.com



REMARKS	BY	DATE
2023 FBC UPDATE	MS	10/11/23

THE INSTALLATION DETAILS DESCRIBED HEREIN ARE GENERIC AND MAY NOT REFLECT ACTUAL CONDITIONS FOR A SPECIFIC SITE. IF SITE CONDITIONS CAUSE INSTALLATION TO DEVIATE FROM THE REQUIREMENTS DETAILED HEREIN, A LICENSED ENGINEER OR ARCHITECT SHALL PREPARE SITE SPECIFIC DOCUMENTS FOR USE WITH THIS DOCUMENT.



HERMES F. NORERO, P.E.  
FLORIDA P.E. No. 73778  
BUILDING DROPS, INC.  
1900 NE MIAMI CT. SUITE 2-15  
MIAMI, FL 33132  
FBPE CERT. OF AUTHORIZATION No. 29578

FL #: **FL20867**

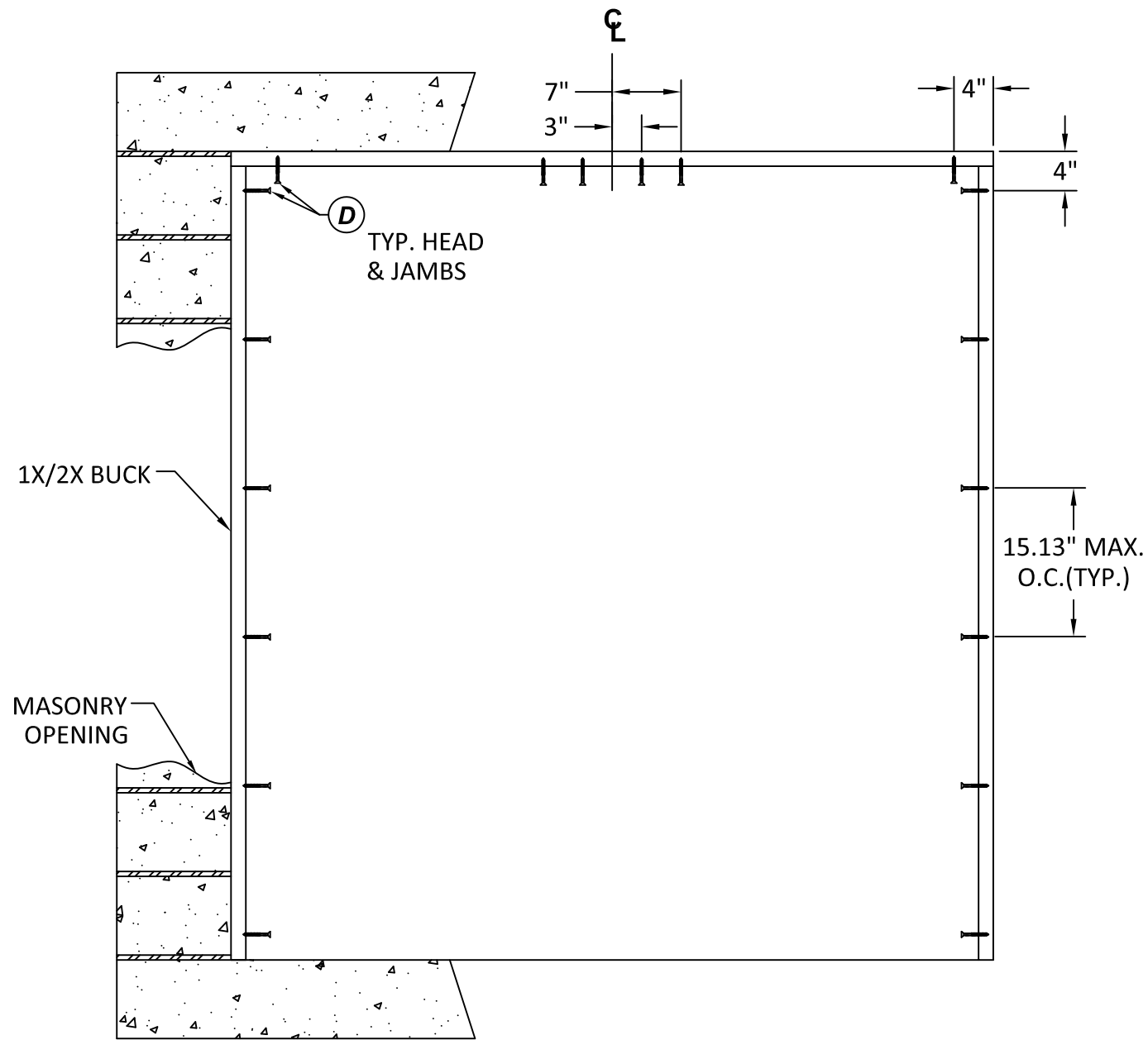
DATE: **07.14.2016**

DWG. BY: **LS**      CHK. BY: **HFN**

SCALE: **NTS**

DWG. #: **TGI011**

SHEET: **25**  
OF 32



**BUCK ANCHORING**

**CONCRETE ANCHOR NOTES:**

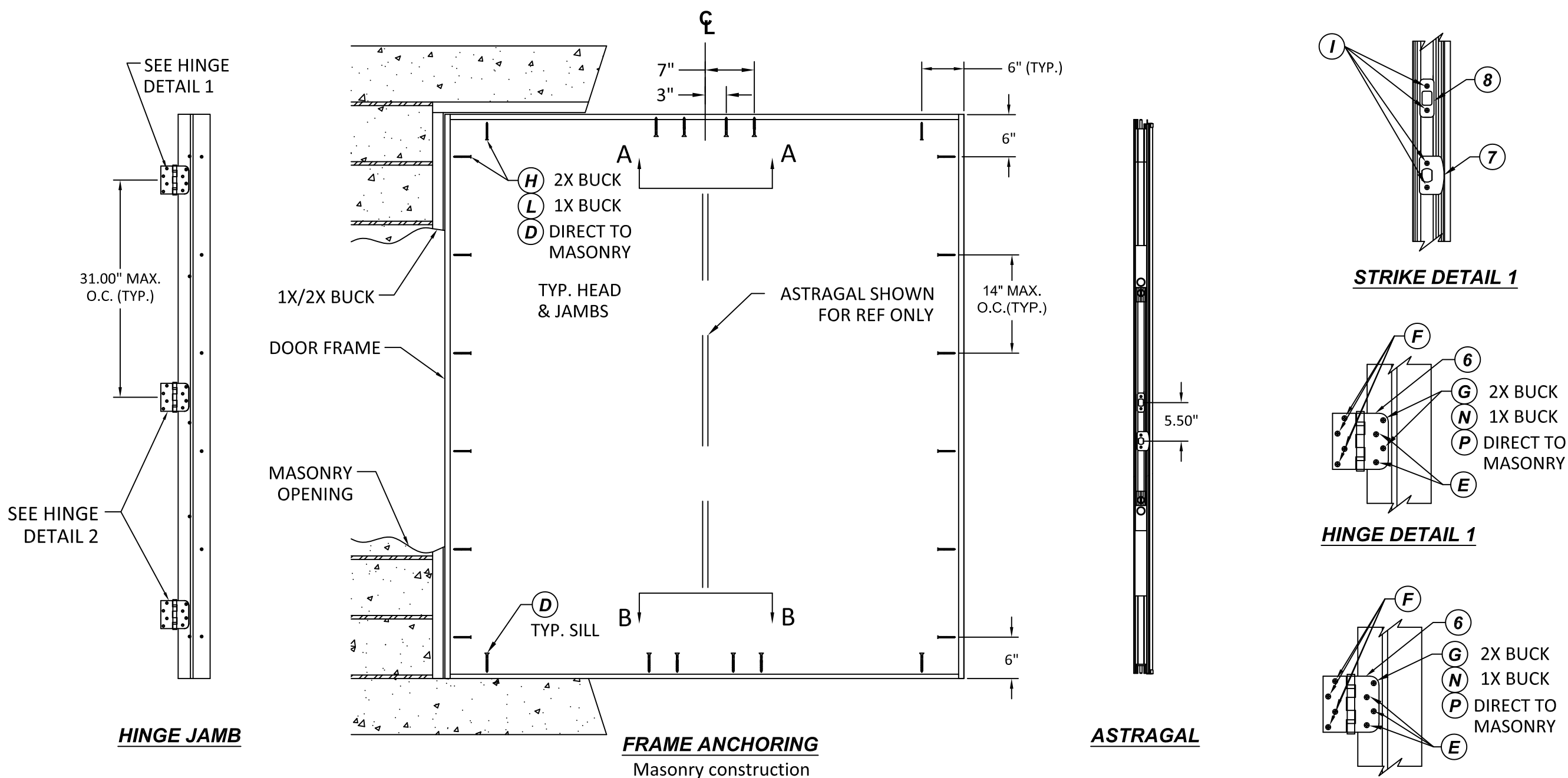
- Concrete anchor locations noted as "MAX ON CENTER" and at the corners must be adjusted to maintain min. edge distance to mortar joints. Additional concrete anchors may be required to ensure the "MAX ON CENTER" dimensions are not exceeded.
- Concrete anchor table:

ANCHOR TYPE	ANCHOR SIZE	MIN. EMBEDMENT	MIN. CLEARANCE TO MASONRY EDGE	MIN CLEARANCE TO ADJUSTMENT ANCHOR
ITW BUILDEX TAPCON®	1/4"	1-1/4"	2"	4"
DEWALT ULTRACON+®	1/4"	1-1/4"	1"	4"
ITW BUILDEX TAPCON®	3/16"	1-1/4"	3"	1-1/2"

**WOOD SCREW INSTALLATION NOTES:**

- Maintain a min. 5/8" edge distance, & 1" o.c. spacing of wood screws to prevent splitting of wood.

10/18/2023 11:41 AM



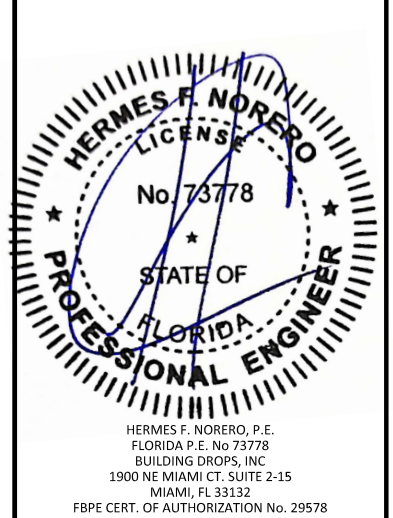
33615 1ST WAY S  
FEDERAL WAY, WA 98003  
PH: (253) 875-7300

**TITLE:** 6'8" GLAZED FIBERGLASS DOOR - INSWING/OUTSWING (HVHZ) (NON-IMPACT) **FRAME ANCHORING**

**PREPARED BY:** BUILDING DROPS, INC.  
1900 NE MIAMI CT. SUITE 2-15  
MIAMI, FL 33132  
PH: (954) 399-8478  
FAX: (954) 744-4738  
WEB: www.buildingdrops.com

REMARKS	BY	DATE
2023 FBC UPDATE	MS	10/11/23

THE INSTALLATION DETAILS DESCRIBED HEREIN ARE GENERIC AND MAY NOT REFLECT ACTUAL CONDITIONS FOR A SPECIFIC SITE. IF SITE CONDITIONS CAUSE INSTALLATION TO DEVIATE FROM THE REQUIREMENTS DETAILED HEREIN, A LICENSED ENGINEER OR ARCHITECT SHALL PREPARE SITE SPECIFIC DOCUMENTS FOR USE WITH THIS DOCUMENT.



FL #:	<b>FL20867</b>
DATE:	<b>07.14.2016</b>
DWG. BY:	<b>LS</b>
CHK. BY:	<b>HFN</b>
SCALE:	<b>NTS</b>
DWG. #:	<b>TGI011</b>
SHEET:	<b>26</b>

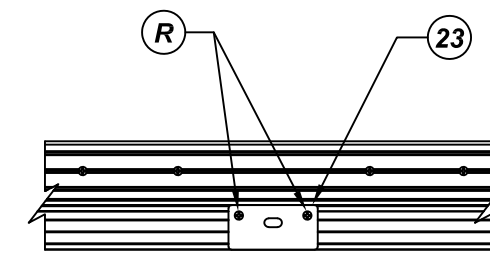
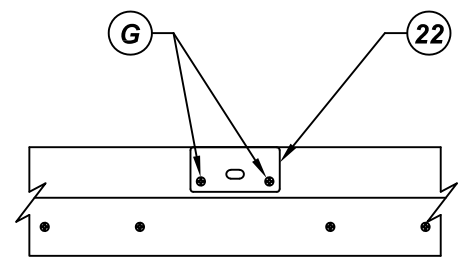
**CONCRETE ANCHOR NOTES:**

- Concrete anchor locations noted as "MAX ON CENTER" and at the corners must be adjusted to maintain min. edge distance to mortar joints. Additional concrete anchors may be required to ensure the "MAX ON CENTER" dimensions are not exceeded.

ANCHOR TYPE	ANCHOR SIZE	MIN. EMBEDMENT	MIN. CLEARANCE TO MASONRY EDGE	MIN CLEARANCE TO ADJUSTMENT ANCHOR
ITW BUILDDEX TAPCON®	1/4"	1-1/4"	2"	4"
DEWALT ULTRACON+®	1/4"	1-1/4"	1"	4"
ITW BUILDDEX TAPCON®	3/16"	1-1/4"	3"	1-1/2"

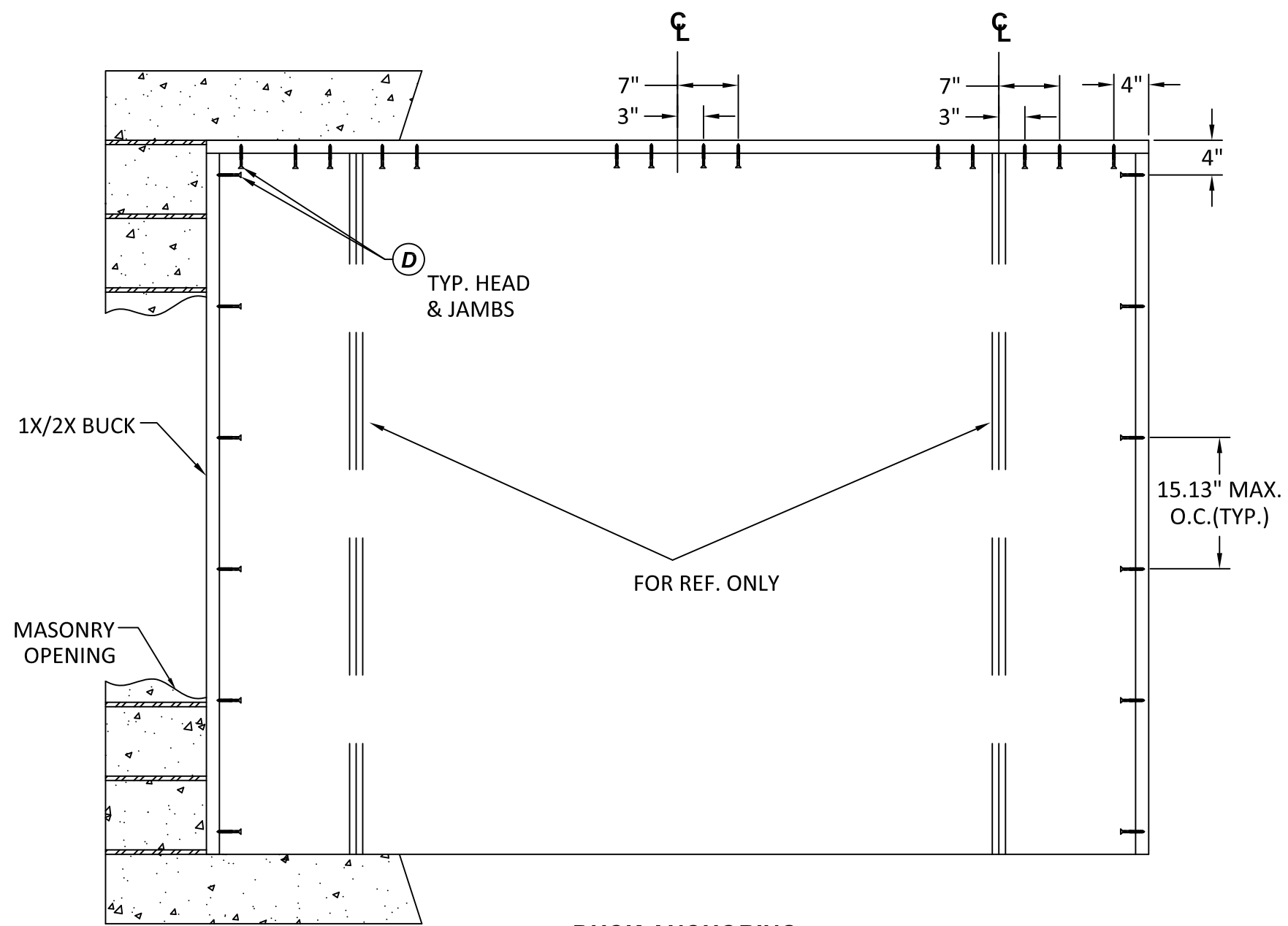
**WOOD SCREW INSTALLATION NOTES:**

- Maintain a min. 5/8" edge distance, & 1" o.c. spacing of wood screws to prevent splitting of wood.



s:\projects\trinity\_glass\_international\cc-23-1006 - fbc submittal - 2023 code change\dwg\tgi011.dwg

10/18/2023 11:41 AM



**BUCK ANCHORING**

**CONCRETE ANCHOR NOTES:**

- Concrete anchor locations noted as "MAX ON CENTER" and at the corners must be adjusted to maintain min. edge distance to mortar joints. Additional concrete anchors may be required to ensure the "MAX ON CENTER" dimensions are not exceeded.
- Concrete anchor table:

ANCHOR TYPE	ANCHOR SIZE	MIN. EMBEDMENT	MIN. CLEARANCE TO MASONRY EDGE	MIN CLEARANCE TO ADJUSTMENT ANCHOR
ITW BUILDEX TAPCON®	1/4"	1-1/4"	2"	4"
DEWALT ULTRACON+®	1/4"	1-1/4"	1"	4"
ITW BUILDEX TAPCON®	3/16"	1-1/4"	3"	1-1/2"

**WOOD SCREW INSTALLATION NOTES:**

- Maintain a min. 5/8" edge distance, & 1" o.c. spacing of wood screws to prevent splitting of wood.



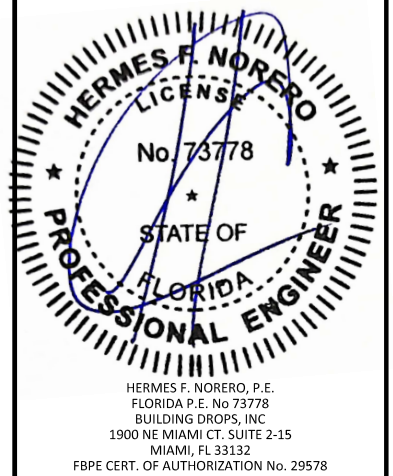
33615 1ST WAY S  
FEDERAL WAY, WA 98003  
PH: (253) 875-7300

**TITLE:** 6'8" GLAZED FIBERGLASS DOOR - INSWING/OUTSWING (HVHZ) (NON-IMPACT) **BUCK ANCHORING**

**PREPARED BY:** BUILDING DROPS, INC.  
1900 NE MIAMI CT, SUITE 2-15  
MIAMI, FL 33132  
PH: (954) 399-8478  
FAX: (954) 744-4738  
WEB: www.buildingdrops.com

REMARKS	BY	DATE
2023 FBC UPDATE	MS	10/11/23

THE INSTALLATION DETAILS DESCRIBED HEREIN ARE GENERIC AND MAY NOT REFLECT ACTUAL CONDITIONS FOR A SPECIFIC SITE. IF SITE CONDITIONS CAUSE INSTALLATION TO DEVIATE FROM THE REQUIREMENTS DETAILED HEREIN, A LICENSED ENGINEER OR ARCHITECT SHALL PREPARE SITE SPECIFIC DOCUMENTS FOR USE WITH THIS DOCUMENT.



FL #: **FL20867**

DATE: **07.14.2016**

DWG. BY: **LS**      CHK. BY: **HFN**

SCALE: **NTS**

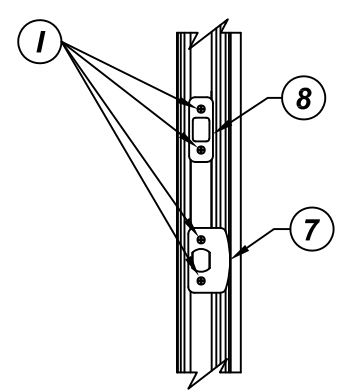
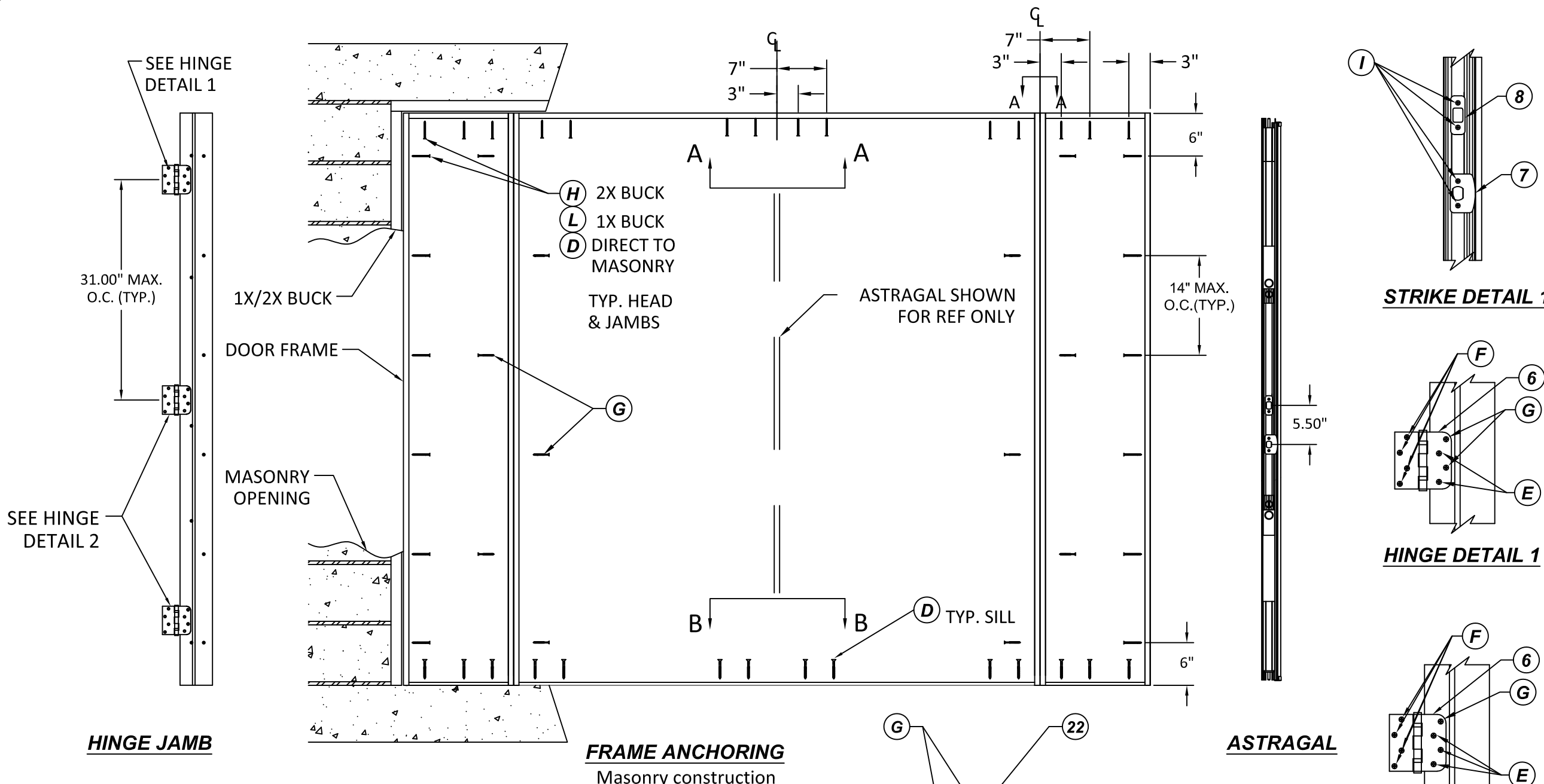
DWG. #: **TGI011**

SHEET: **27**

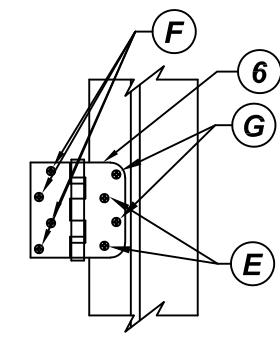
OF 32

s:\projects\trinity\_glass\_international\cc-23-1006 - fbc submittal - 2023 code change\dwg\tgi011.dwg

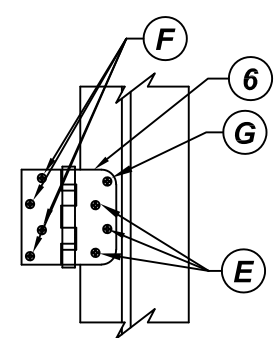
10/18/2023 11:41 AM



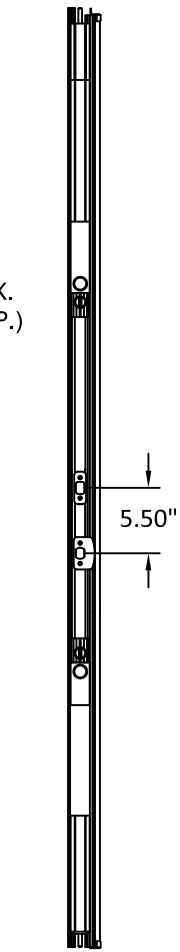
**STRIKE DETAIL 1**



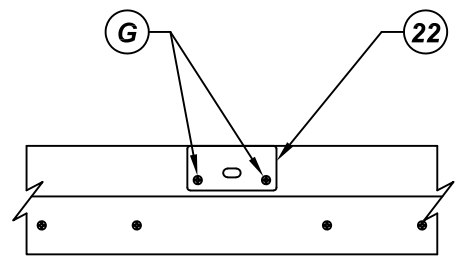
**HINGE DETAIL 1**



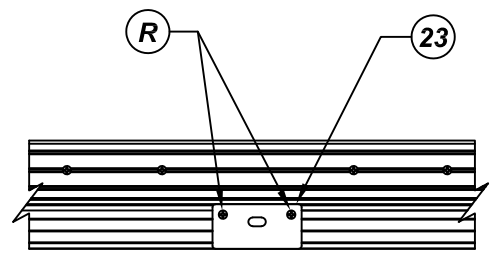
**HINGE DETAIL 2**



**ASTRAGAL**



**VIEW A-A**  
Astragal Strike @ Head



**VIEW B-B**  
Astragal Strike @ Sill

**CONCRETE ANCHOR NOTES:**

1. Concrete anchor locations noted as "MAX ON CENTER" and at the corners must be adjusted to maintain min. edge distance to mortar joints. Additional concrete anchors may be required to ensure the "MAX ON CENTER" dimensions are not exceeded.

ANCHOR TYPE	ANCHOR SIZE	MIN. EMBEDMENT	MIN. CLEARANCE TO MASONRY EDGE	MIN CLEARANCE TO ADJUSTMENT ANCHOR
ITW BUILDEX TAPCON®	1/4"	1-1/4"	2"	4"
DEWALT ULTRA CON+®	1/4"	1-1/4"	1"	4"
ITW BUILDEX TAPCON®	3/16"	1-1/4"	3"	1-1/2"

**WOOD SCREW INSTALLATION NOTES:**

1. Maintain a min. 5/8" edge distance, & 1" o.c. spacing of wood screws to prevent splitting of wood.



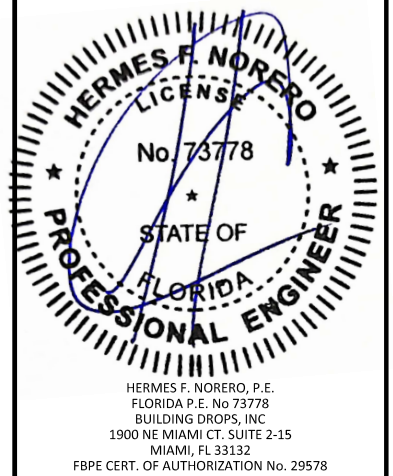
33615 1ST WAY S  
FEDERAL WAY, WA 98003  
PH: (253) 875-7300

TITLE: 6'8" GLAZED FIBERGLASS  
DOOR - INSWING/OUTSWING  
(HVHZ) (NON-IMPACT)  
FRAME ANCHORING

PREPARED BY:  
**BUILDING DROPS, INC.**  
1900 NE MIAMI CT. SUITE 2-15  
MIAMI, FL 33132  
PH: (954) 399-8478  
FAX: (954) 744-4738  
WEB: www.buildingdrops.com

REMARKS	BY	DATE
2023 FBC UPDATE	MS	10/11/23

THE INSTALLATION DETAILS DESCRIBED HEREIN ARE GENERIC AND MAY NOT REFLECT ACTUAL CONDITIONS FOR A SPECIFIC SITE. IF SITE CONDITIONS CAUSE INSTALLATION TO DEVIATE FROM THE REQUIREMENTS DETAILED HEREIN, A LICENSED ENGINEER OR ARCHITECT SHALL PREPARE SITE SPECIFIC DOCUMENTS FOR USE WITH THIS DOCUMENT.



FL #: **FL20867**

DATE: **07.14.2016**

DWG. BY: **LS**      CHK. BY: **HFN**

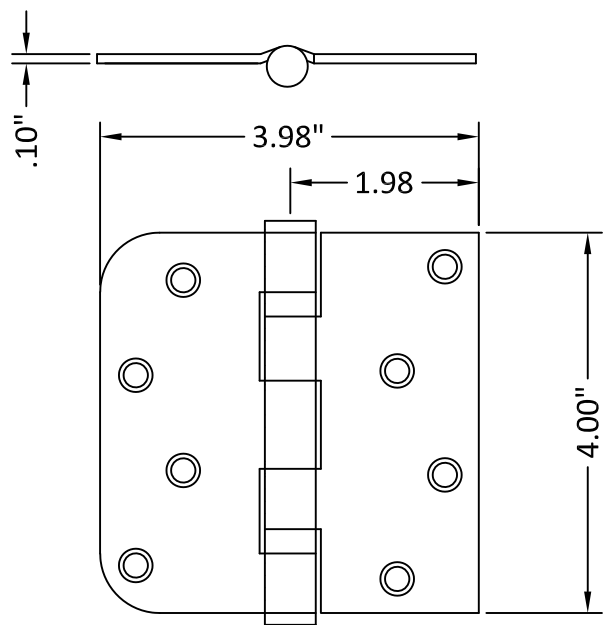
SCALE: **NTS**

DWG. #: **TGI011**

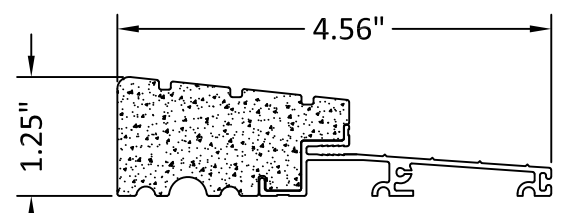
SHEET: **28**

s:\projects\trinity\_glass\_international\cc-23-1006-fbc-submittal-2023-code-change\dwg\tgi011.dwg

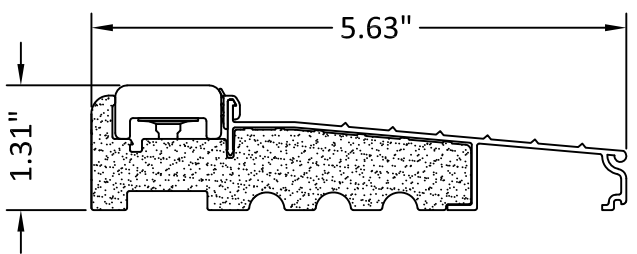
10/18/2023 11:41 AM



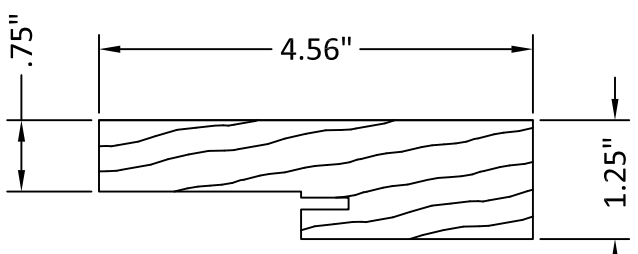
**6 HINGE**  
MATERIAL: STEEL



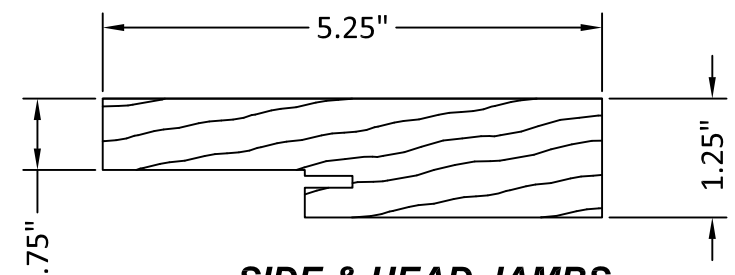
**10 OUTSWING SILL**  
ALUMINUM WITH PVC SUBSTRATE



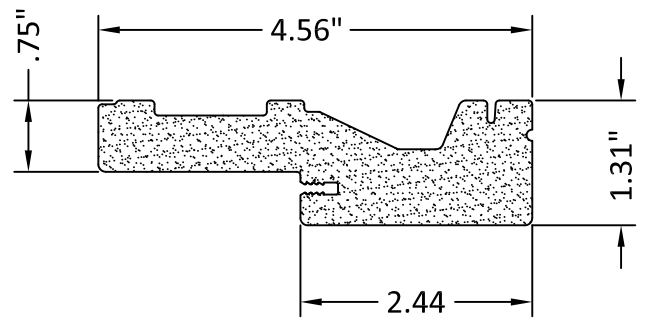
**24 INSWING THRESHOLD**  
ALUMINUM WITH PVC SUBSTRATE



**1 SIDE & HEAD JAMBS**  
MATERIAL: WOOD



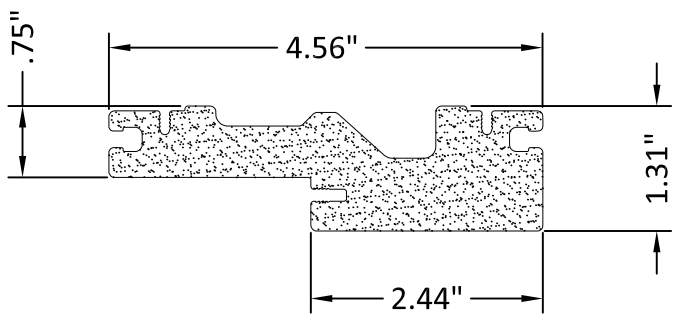
**1A SIDE & HEAD JAMBS**  
(5-1/4" or larger)  
MATERIAL: WOOD



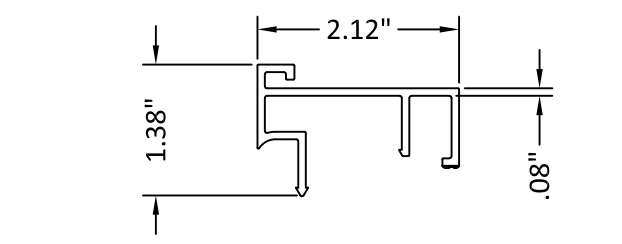
**2 SIDE & HEAD JAMBS**  
MATERIAL: PVC



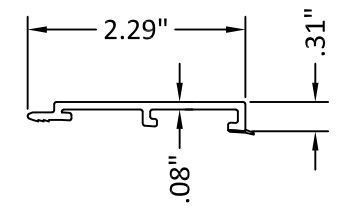
**2A SIDE & HEAD JAMBS**  
(5-1/4" or larger)  
MATERIAL: PVC



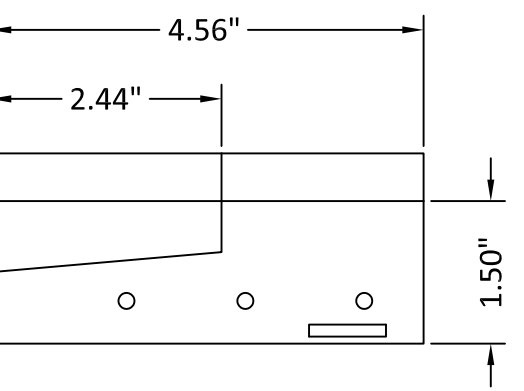
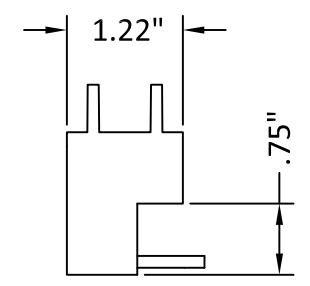
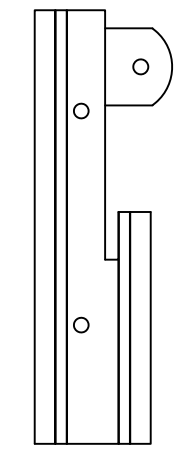
**3 SIDE & HEAD JAMBS**  
MATERIAL: PVC



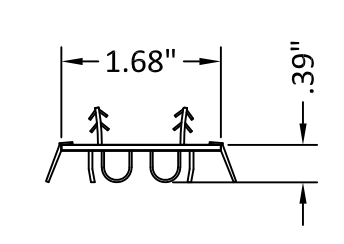
**26 OUTSWING SIDELITE SPACER**  
MATERIAL: PVC



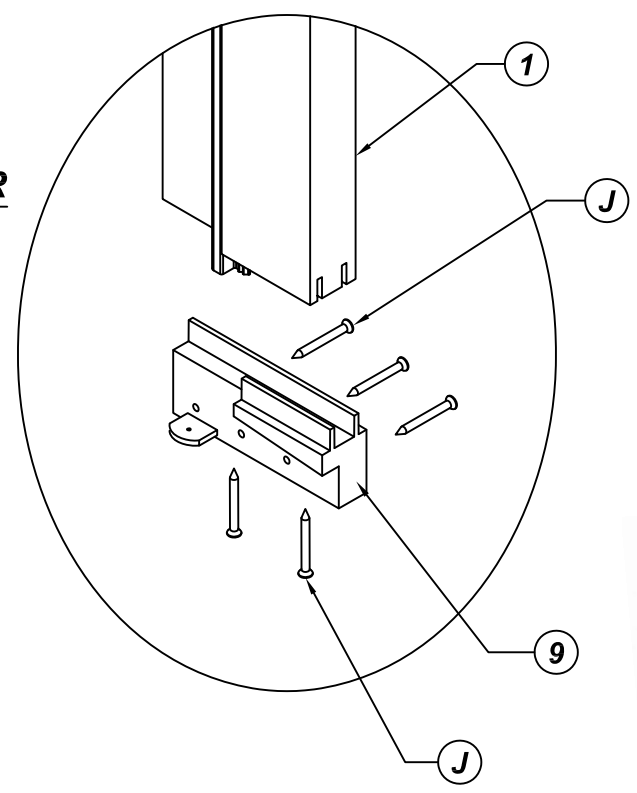
**13 OUTSWING SIDELITE SPACER**  
MATERIAL: PVC



**9 SILL KEY DETAIL**  
OPTIONAL



**25 DOOR SWEEP**  
MATERIAL: PVC

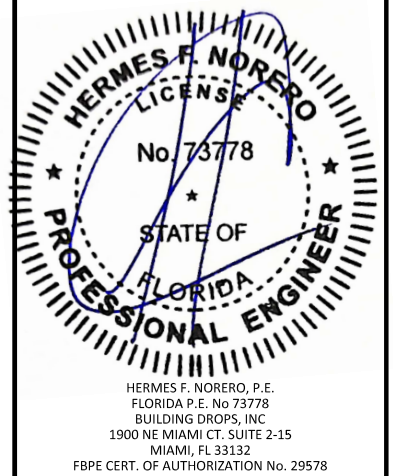


TITLE: 6'8" GLAZED FIBERGLASS  
DOOR - INSWING/OUTSWING  
(HVHZ) (NON-IMPACT)  
COMPONENTS

PREPARED BY:  
**BUILDING DROPS, INC.**  
1900 NE MIAMI CT. SUITE 2-15  
MIAMI, FL 33132  
PH: (954) 399-8478  
FAX: (954) 744-4738  
WEB: www.buildingdrops.com

REMARKS	BY	DATE
2023 FBC UPDATE	MS	10/11/23

THE INSTALLATION DETAILS DESCRIBED HEREIN ARE GENERIC AND MAY NOT REFLECT ACTUAL CONDITIONS FOR A SPECIFIC SITE. IF SITE CONDITIONS CAUSE INSTALLATION TO DEVIATE FROM THE REQUIREMENTS DETAILED HEREIN, A LICENSED ENGINEER OR ARCHITECT SHALL PREPARE SITE SPECIFIC DOCUMENTS FOR USE WITH THIS DOCUMENT.



FL #: **FL20867**

DATE: **07.14.2016**

DWG. BY: **LS**      CHK. BY: **HFN**

SCALE: **NTS**

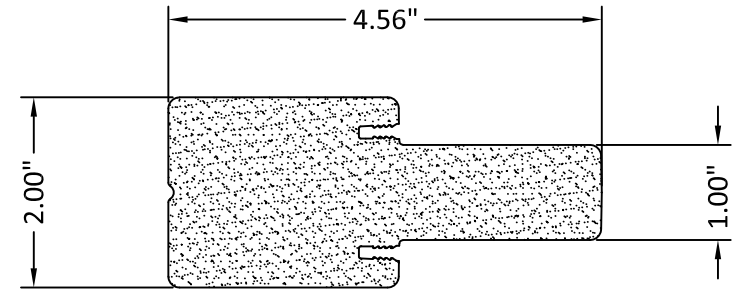
DWG. #: **TGI011**

SHEET: **29**  
OF 32

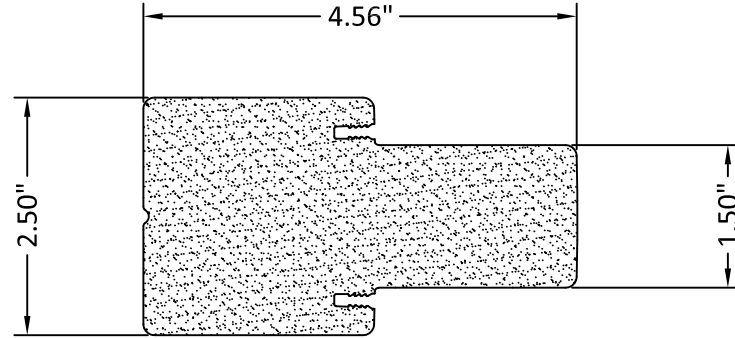
s:\projects\trinity glass international\cc-23-1006 - fbc submittal - 2023 code change\dwg\tgi011.dwg

10/18/2023 11:41 AM

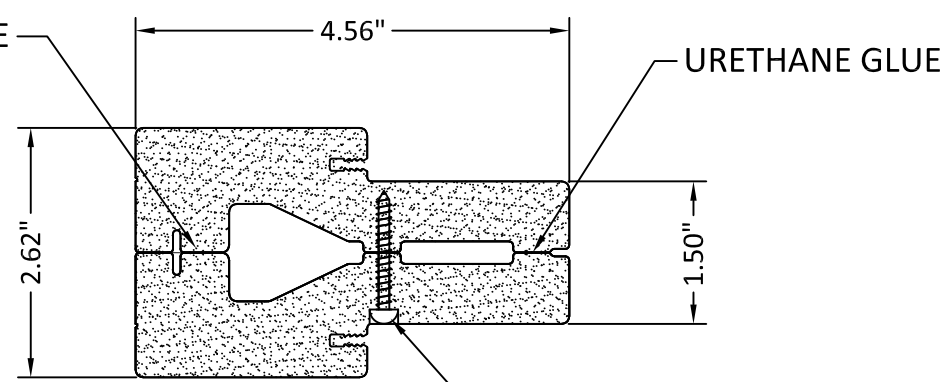
s:\projects\trinity\_glass\_international\cc-23-1006 - fbc submittal - 2023 code change\dwg\tgi011.dwg



**16** STANDARD MULLION  
MATERIAL: PVC

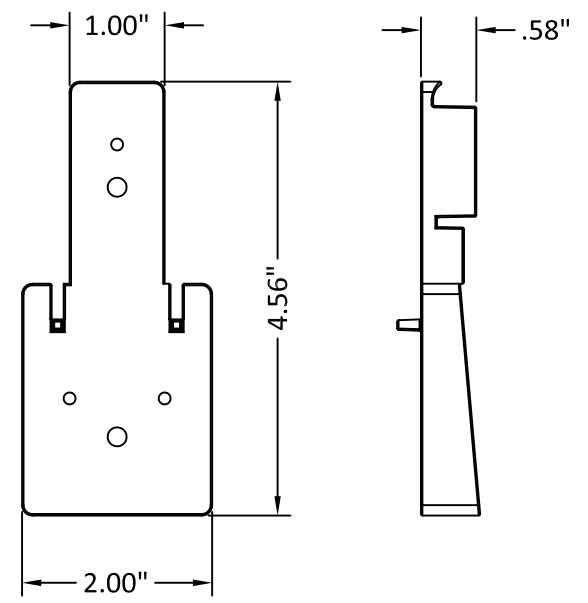


**17** FAT MULLION  
MATERIAL: PVC

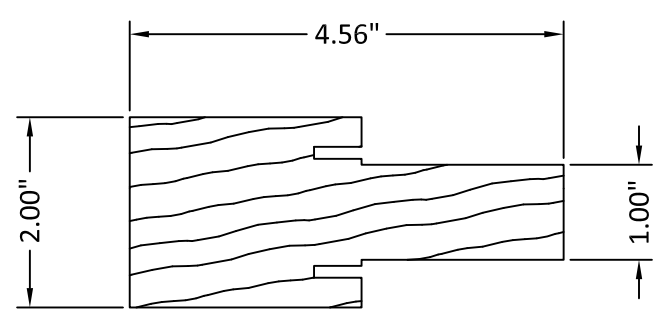


**SECTION A-A**  
#8x1 1/4" PRH WS (4 NEAR SIDE)  
#8x1 1/4" PRH WS (4 FAR SIDE)

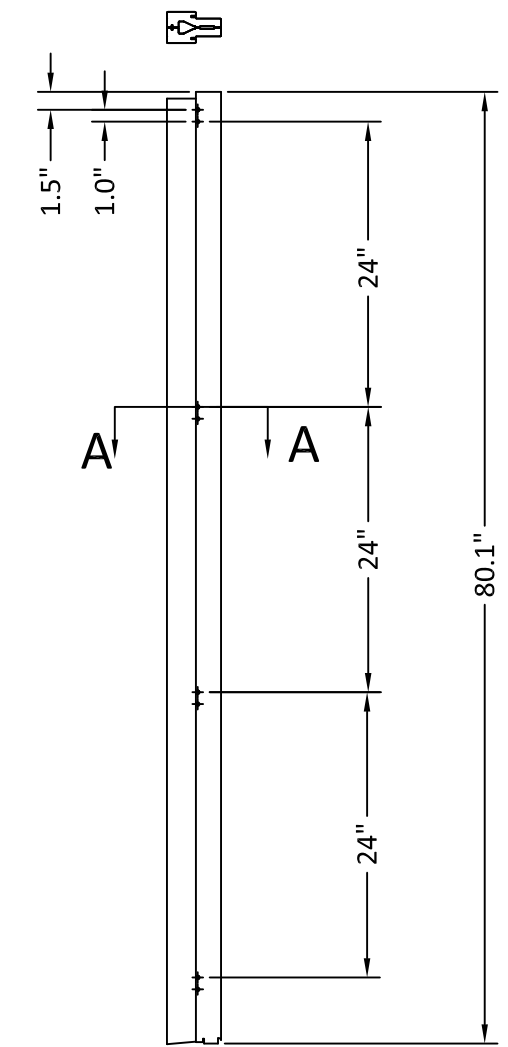
**18** TWO-PIECE "FAT" MULLION  
MATERIAL: PVC



**15** MULLION BASE KIT  
MATERIAL: PC/ASA



**14** STANDARD MULLION  
MATERIAL: WOOD



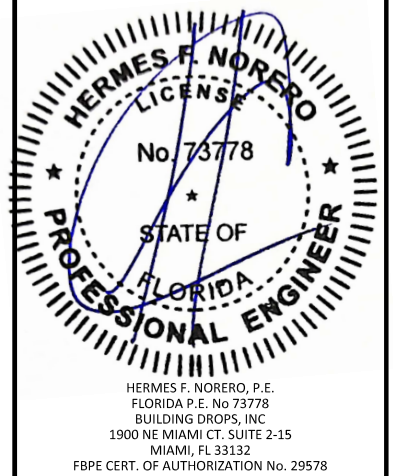
33615 1ST WAY S  
FEDERAL WAY, WA 98003  
PH: (253) 875-7300

TITLE: 6'8" GLAZED FIBERGLASS  
DOOR - INSWING/OUTSWING  
(HVHZ) (NON-IMPACT)  
COMPONENTS

PREPARED BY:  
**BUILDING DROPS, INC.**  
1900 NE MIAMI CT, SUITE 2-15  
MIAMI, FL 33132  
PH: (954) 399-8478  
FAX: (954) 744-4738  
WEB: www.buildingdrops.com

REMARKS	BY	DATE
2023 FBC UPDATE	MS	10/11/23

THE INSTALLATION DETAILS DESCRIBED HEREIN ARE GENERIC AND MAY NOT REFLECT ACTUAL CONDITIONS FOR A SPECIFIC SITE. IF SITE CONDITIONS CAUSE INSTALLATION TO DEVIATE FROM THE REQUIREMENTS DETAILED HEREIN, A LICENSED ENGINEER OR ARCHITECT SHALL PREPARE SITE SPECIFIC DOCUMENTS FOR USE WITH THIS DOCUMENT.



HERMES F. NORERO, P.E.  
FLORIDA P.E. No. 73778  
BUILDING DROPS, INC.  
1900 NE MIAMI CT, SUITE 2-15  
MIAMI, FL 33132  
FBPE CERT. OF AUTHORIZATION No. 29578

FL #: **FL20867**

DATE: **07.14.2016**

DWG. BY: **LS**      CHK. BY: **HFN**

SCALE: **NTS**

DWG. #: **TGI011**

SHEET: **30**  
OF 32

10/18/2023 11:41 AM

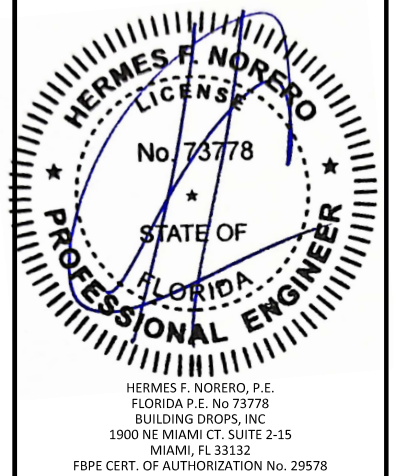
TITLE: 6'8" GLAZED FIBERGLASS  
DOOR - INSWING/OUTSWING  
(HVHZ) (NON-IMPACT)

COMPONENTS

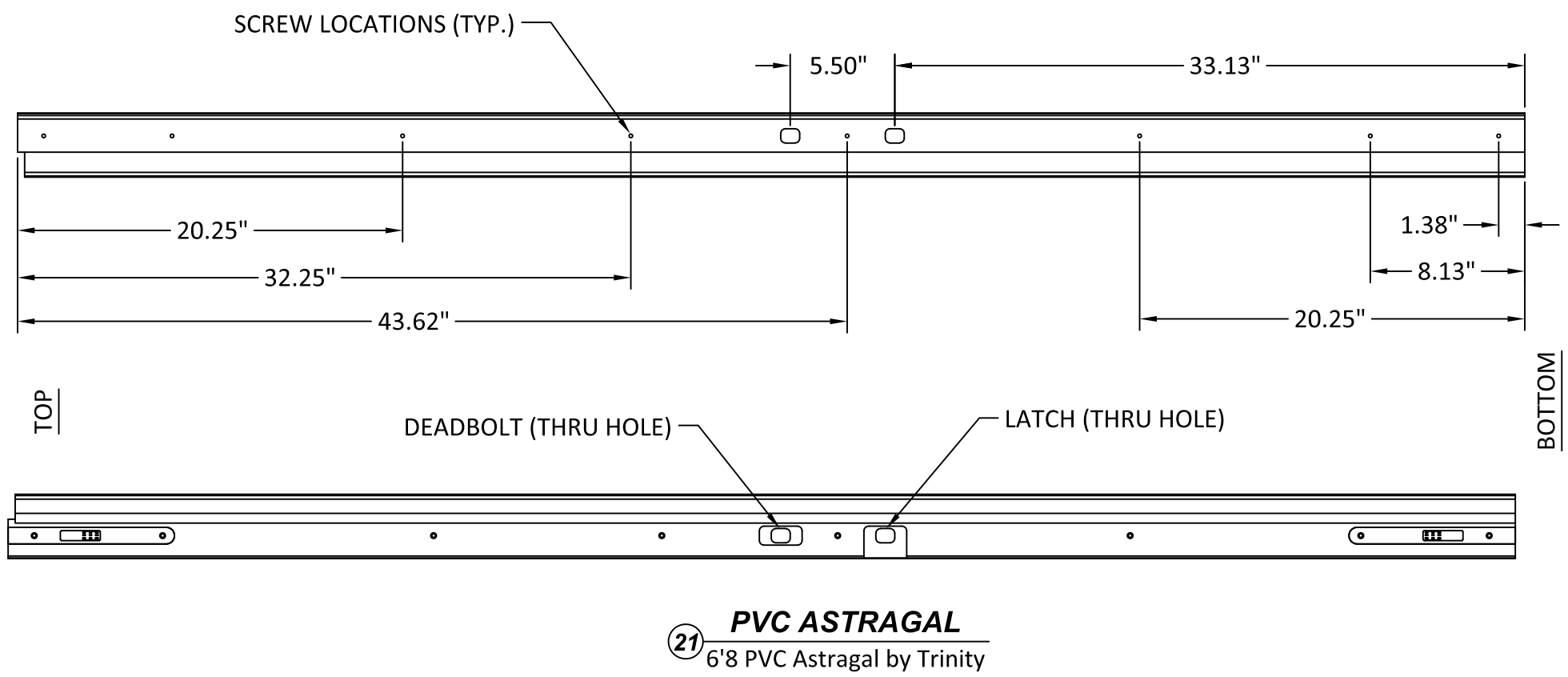
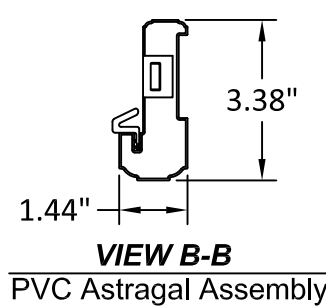
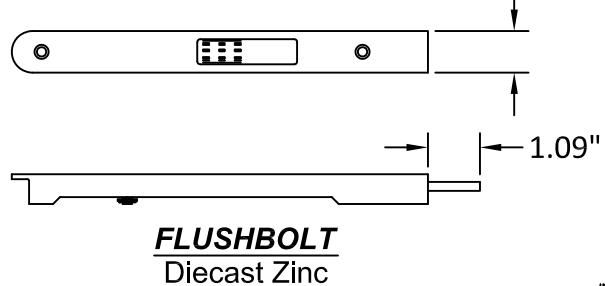
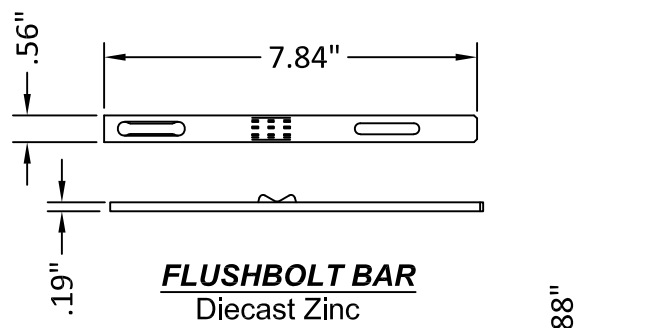
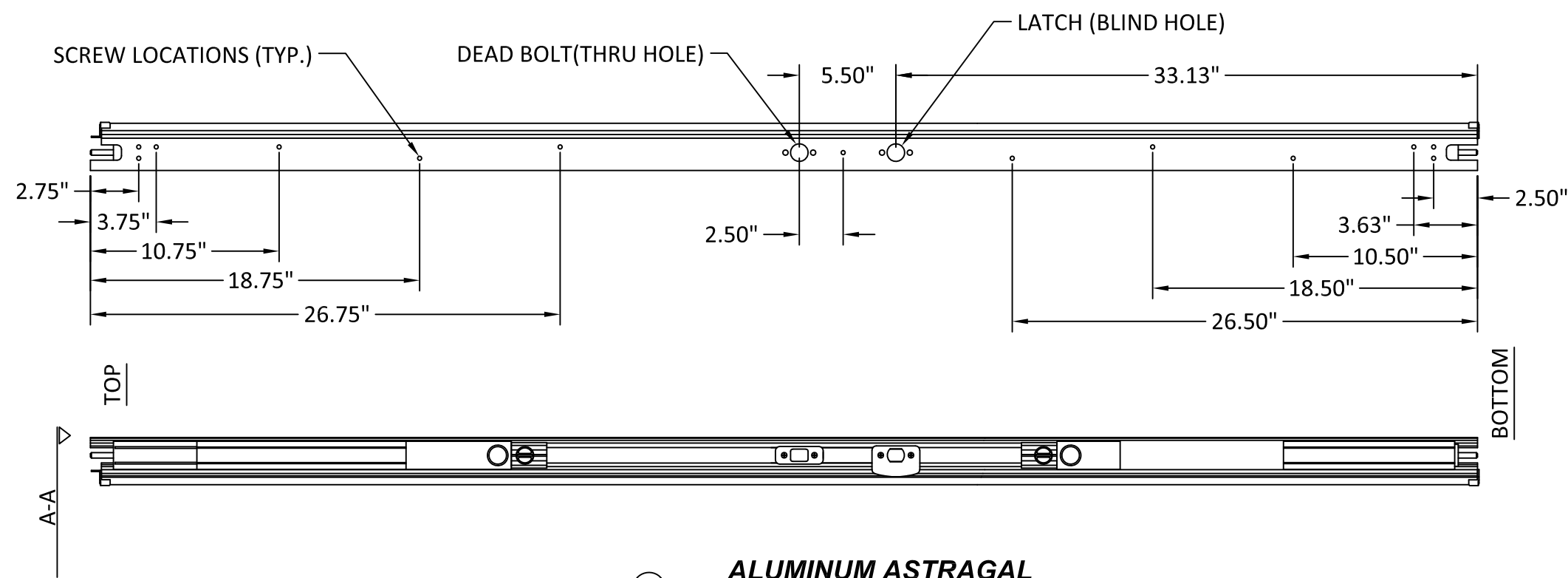
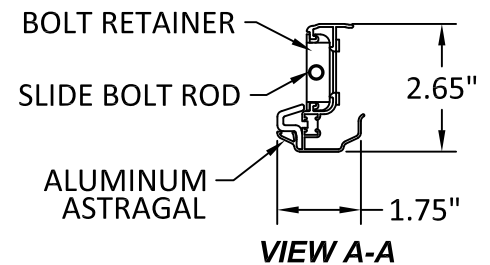
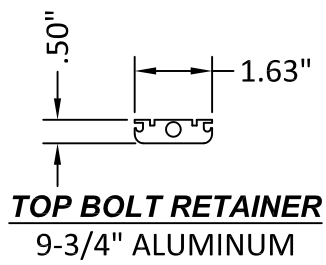
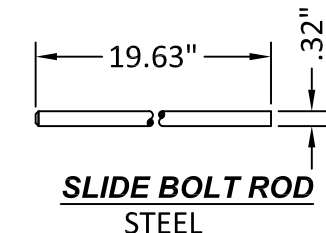
PREPARED BY:  
**BUILDING DROPS, INC.**  
1900 NE MIAMI CT. SUITE 2-15  
MIAMI, FL 33132  
PH: (954) 399-8478  
FAX: (954) 744-4738  
WEB: www.buildingdrops.com

REMARKS	BY	DATE
2023 FBC UPDATE	MS	10/11/23

THE INSTALLATION DETAILS DESCRIBED HEREIN ARE GENERIC AND MAY NOT REFLECT ACTUAL CONDITIONS FOR A SPECIFIC SITE. IF SITE CONDITIONS CAUSE INSTALLATION TO DEVIATE FROM THE REQUIREMENTS DETAILED HEREIN, A LICENSED ENGINEER OR ARCHITECT SHALL PREPARE SITE SPECIFIC DOCUMENTS FOR USE WITH THIS DOCUMENT.



FL #:	<b>FL20867</b>
DATE:	<b>07.14.2016</b>
DWG. BY:	<b>LS</b>
CHK. BY:	<b>HFN</b>
SCALE:	<b>NTS</b>
DWG. #:	<b>TGI011</b>
SHEET:	<b>31</b>



s:\projects\trinity\glass\international\cc-23-1006-fbc-submittal-2023\code-change\dwg\tgi011.dwg

10/18/2023 11:41 AM

BILL OF MATERIAL

ITEM #	DESCRIPTION	MATERIAL
A	1X BUCK SG>=0.55	WOOD
B	2X BUCK SG>=0.55	WOOD
C	1/4" MAX. SHIM SPACE	-
D	1/4" X 2-3/4" PFH DEWALT OR ITW CONCRETE SCREW	STEEL
E	#9 X 3/4" PFH WS	STEEL
F	#9 X 1" PFH WS	STEEL
G	#9 X 2-1/4" PFH WS	STEEL
H	#10 X 2-1/2" PFH WS	STEEL
I	#8 X 2" PFH WS	STEEL
J	#6 X 1-1/4" DRYWALL SCREW	STEEL
K	MASONRY - 3,000 PSI MIN. CONCRETE CONFORMING TO ACI 301 OR HOLLOW BLOCK CONFORMING TO ASTM C90	CONCRETE
L	1/4" X 3-3/4" PFH DEWALT OR ITW CONCRETE SCREW	STEEL
M	1/4" X 3-1/4" PFH DEWALT OR ITW CONCRETE SCREW	STEEL
N	3/16" X 3-1/4" PFH DEWALT OR ITW CONCRETE SCREW	STEEL
O	#8 X 2-1/2" PFH WS	STEEL
P	3/16" X 2-1/4" PFH DEWALT OR ITW CONCRETE SCREW	STEEL
Q	#8 X 1" PFH WS	STEEL
R	3/16" X 2-3/4" PFH DEWALT OR ITW CONCRETE SCREW	STEEL
1	JAMB (FINGER-JOINT PINE - SG>=0.42)	WOOD
1A	JAMB (FINGER-JOINT PINE - SG>=0.42)	WOOD
2	JAMB	PVC
2A	JAMB	PVC
3	JAMB	PVC
5	WEATHER STRIP QEBD650 Q-LON	-
6	3.98" X 4.0" HINGE MIN 0.098" MIN THICK	STEEL
7	STRIKE PLATE	STEEL
8	DEADBOLT PLATE	STEEL
9	SILLKEY	PC/ASA
10	OUTSWING SILL - ALUMINUM WITH PVC SUBSTRATE	ALUM./PVC
11	DOOR PANEL - SEE DOOR PANEL CONSTRUCTION DETAILS SHEET	-
12A	SIDELITE PANEL - SEE SIDELITE PANEL CONSTRUCTION DETAILS SHEET	-
12B	SIDELITE PANEL - SEE SIDELITE PANEL CONSTRUCTION DETAILS SHEET	-
12C	SIDELITE PANEL - SEE SIDELITE PANEL CONSTRUCTION DETAILS SHEET	-
13	OUTSWING SIDELITE SPACER	PVC
14	STANDARD MULLION (FINGER JOINT PINE SG>=0.42)	WOOD
15	MULLION BASE KIT	PC/ASA
16	STANDARD MULLION	PVC
17	"FAT" MULLION	PVC
18	TWO-PIECE "FAT" MULLION	PVC
19	1X MULLION	WOOD
20	ALUMINUM ASTRAGAL BY ENDURA PRODUCTS	ALUMINUM
21	PVC ASTRAGAL BY TRINITY	PVC
22	ASTRAGAL STRIKE @ HEAD	STEEL
23	ASTRAGAL STRIKE @ SILL	STEEL
24	INSWING SILL - ALUMINUM WITH PVC SUBSTRATE	ALUM./PVC
25	DOOR SWEEP	PVC
26	INSWING SIDELITE SPACER	PVC



33615 1ST WAY S  
FEDERAL WAY, WA 98003  
PH: (253) 875-7300

TITLE: 6'8" GLAZED FIBERGLASS  
DOOR - INSWING/OUTSWING  
(HVHZ) (NON-IMPACT)

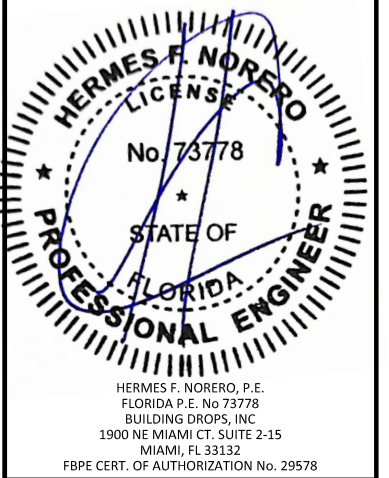
BILL OF MATERIALS

PREPARED BY:  
BUILDING DROPS, INC.  
1900 NE MIAMI CT. SUITE 2-15  
MIAMI, FL 33132  
PH: (954) 399-8478  
FAX: (954) 744-4738  
WEB: www.buildingdrops.com



REMARKS	BY	DATE
2023 FBC UPDATE	MS	10/11/23

THE INSTALLATION DETAILS DESCRIBED HEREIN ARE GENERIC AND MAY NOT REFLECT ACTUAL CONDITIONS FOR A SPECIFIC SITE. IF SITE CONDITIONS CAUSE INSTALLATION TO DEVIATE FROM THE REQUIREMENTS DETAILED HEREIN, A LICENSED ENGINEER OR ARCHITECT SHALL PREPARE SITE SPECIFIC DOCUMENTS FOR USE WITH THIS DOCUMENT.



FL #:	<b>FL20867</b>
DATE:	<b>07.14.2016</b>
DWG. BY:	<b>LS</b>
CHK. BY:	<b>HFN</b>
SCALE:	<b>NTS</b>
DWG. #:	<b>TGI011</b>
SHEET:	<b>32</b>

s:\projects\trinity\_glass\_international\cc-23-1006 - fbc submittal - 2023 code change\dwg\tgi011.dwg